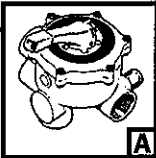
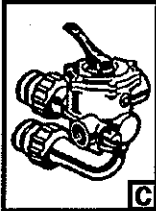
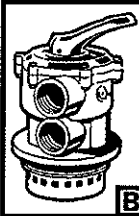


VARI-FLO VALVE MODELS SP-710X, SP-712, SP-711-13, SP-711-20



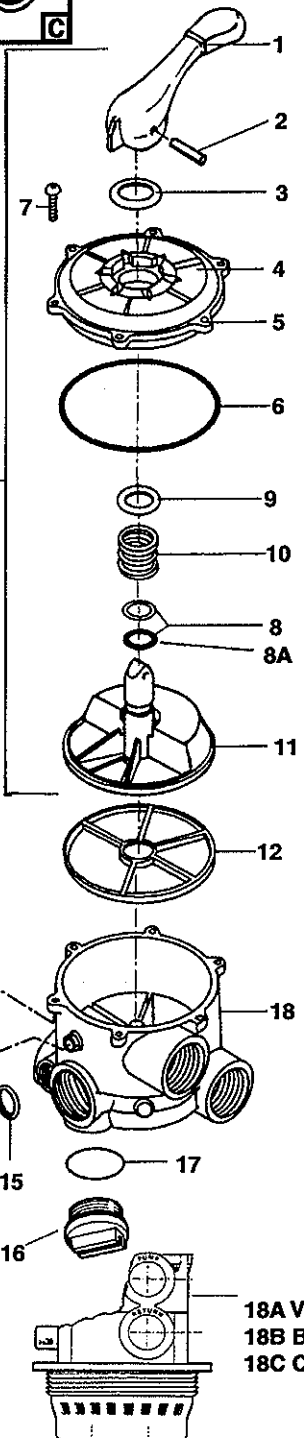
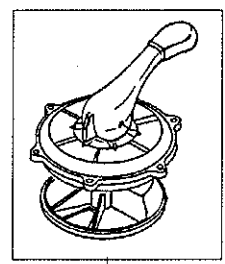
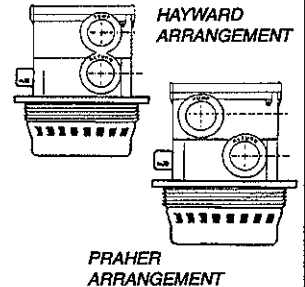
• I.D. •
 VERSIONS OF THIS VALVE HAVE BEEN USED ON VARIOUS BRAND FILTERS AND MAY HAVE A NAME ON THE VALVE LABEL OTHER THAN "HAYWARD"



ARE YOU SURE IT'S BY HAYWARD?

TOP MOUNT VALVES

Some filter manufacturers have equipped their tanks with valves that look virtually identical to Hayward's valve, but are actually manufactured by Praher. Distinguishing factors are:
 · Top Mount valves have slightly different port orientation for "pump" and "return" openings
 · The Words "Shut Pump Off Before Operating Valve" are molded:
 Hayward-on the cover top
 Praher-on the valve handle
 · Hayward Valves have a SP-x number molded at the bottom of the valve. Praher valves will say made in Canada.



KEY	ITEM #	DESCRIPTION	MFG. #
A	4700-0	COMPLETE VALVE, SIDE MNT., ALL PORTS	SP710XALL
B	4706-0	COMPLETE VALVE, TOP MOUNT, V THREAD, BLK	SP7122
B	4707-0	COMPLETE VALVE, TOP MOUNT, BUTTRESS THREAD-BLK	SP7121
B	4802-01C	COMPLETE VALVE, TOP MOUNT, CLAMP, BLK	SP71113
C	4800-25	COMPLETE VALVE SIDE MOUNT	SPX0710X32
C	4802-01D	COMPLETE VALVE SIDE MOUNT	SP0710X62
C	4810-44	COMPLETE VALVE SIDE MOUNT	SP0710XR50
1	4700-01X	HANDLE, CYCOLAC	SPX710XF
2	4700-02X	PIN FOR HANDLE	SPX710XZ7
3	4700-03X	BEARING, NON-METALLIC	SPX710Z16
4	4700-14	LABEL PLATE, METAL	SPX710G
5	OBSOLETE	OBSOLETE COVER	SPX710XB
6	4700-05AX	O-RING, FOR COVER	SPX710XZ3
7	4700-13	SCREW AND NUT, COVER SET OF 6	SPX710Z1A
8	4700-08X	O-RING WITH TEFLON SEAL	SPX735GA
8A	4700-08A	O-RING, VALVE STEM	SPX735G
9	4700-06	WASHER FOR SPRING SET OF TWO	SPX710Z62
10	4700-07	SPRING	SPX603S
11	4700-09X	KEY AND STEM ASSEMBLY	SPX710XC
12	4700-10X	GASKET, VALVE SEAT - 5 SPOKE	SPX710XD
13	6761-0	PLUG, PIPE, 1/4"	SPX710K
14	4700-12	SIGHT GLASS WITH GASKET	SPX710MA
15	4700-11	GASKET, FOR SIGHT GLASS	SPX710R
16	4700A	PLUG WITH O-RING 1 1/2"	SP1022C
17	4600-5064	O-RING	SPX1022CZ2
18	4700-21	BODY VALVE W/ GASKET & SGT GLS	SPX710XALLAA
18	4706A	BODY, VALVE - "V" THREAD	SPX7122AA
18	4707A	BODY, VALVE - BUTTRESS THREAD	SPX712AA
18	REPLACE	NLA BODY REP W/4802-01C	SPX711AA
20	4700-15X	KEY COVER & HANDLE ASSY 1 1/2" - BLACK	SPX710XBA17
20	4700-15XW	KEY COVER & HANDLE ASSY 1 1/2" - WHITE	SPX710XBA
21	4702-09	INLINE SIGHT GLASS 1 1/2"	SP1072S
*	6550-0	ADHESIVE- FOR SEAT GASKET	

* NOT SHOWN

18A V THREAD
 18B BUTTRESS THREAD
 18C CLAMP ON STYLE