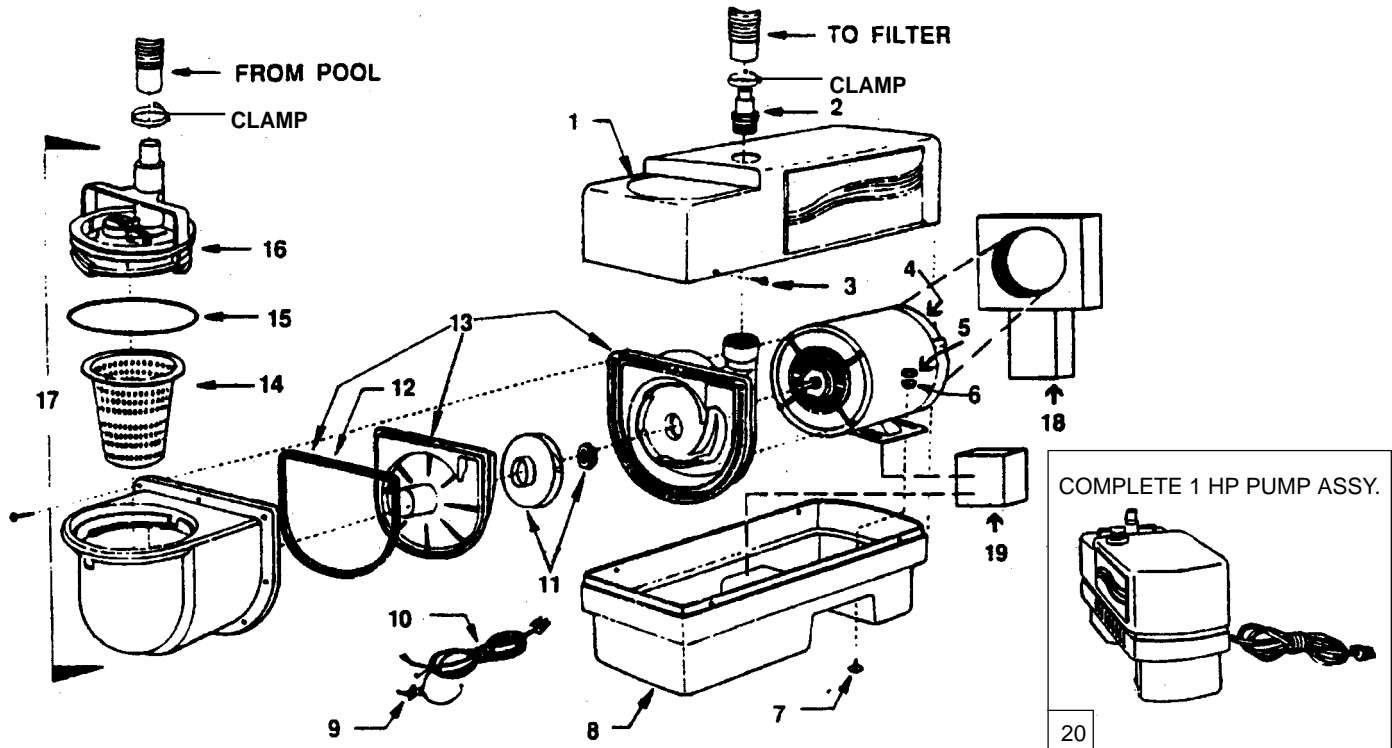


MODELS 1/3 HP, 1/2 HP, 3/4 HP, 1 HP, 1 1/2 HP



KEY	ITEM #	DESCRIPTION	MFG. #
	1	MOTOR COVER	55121
	2	PUMP ADAPTER	62082
	3	#6 X 1/2" SCREW (8 REQ)	76523
	4	MOTOR 1/3 HP	41060
	4	MOTOR 1/2 HP	41061
	4	MOTOR 3/4 HP	41062
	4	MOTOR 1 HP	41063
	4	MOTOR 1 1/2 HP	41066
5,6,7	5182-0050	MOTOR BOLT KIT	72110
8	5182-0081	MOTOR BASE	55122
9	5182-0090	SWITCH	53028
10	5182-0100	ELECTRIC CORD 1/3 HP & 1/2 HP	51002
10	5182-0101	ELECTRIC CORD 3/4, 1 & 1 1/2 HP	51004
11	5182-0110	IMPELLER/SEAL ASSY. 1/3 HP	72103

KEY	ITEM #	DESCRIPTION	MFG. #
*11	5182-0112	IMPELLER/SEAL ASSY. 1/2 HP	72104
*11	5182-0113	IMPELLER/SEAL ASSY. 3/4 HP	72105
*11	5182-0114	IMPELLER/SEAL ASSY. 1 HP	72106
*11	5182-0115	IMPELLER/SEAL ASSY. 1 1/2 HP	72068
12	5182-0120	PUMP GASKET	54043
13	5182-0130	PUMP BODY ASSY.	72063
(NOTE: IMPELLER AND SHAFT SEAL ARE NOT INCLUDED.)			
14	5182-0140	HAIR & LINT POT BASKET	62020
15	5182-0150	HAIR & LINT POT O-RING	54071
16	5182-0160	HAIR & LINT POT LID	48005
17	5182-0170	HAIR & LINT POT COMPLETE	72062
18	5182-0180	CHAMBER SEPARATOR	54031
19	5182-0190	SEAL BLOCK	54039
20	5180-29	COMPLETE 1 HP PUMP/MOTOR ASSY	42070

* SHAFT SEAL & IMPELLER ARE ONLY AVAILABLE AS A KIT, NOT SOLD SEPARATELY