



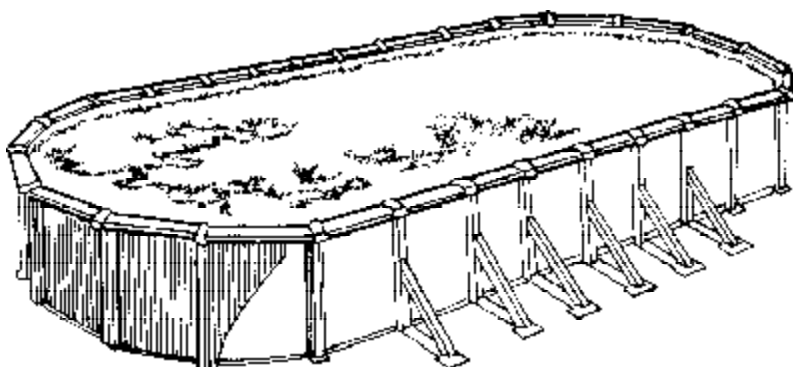
# ZODIAC

## Owner's Manual

### OVAL FLAT POOL 1" RIMS

# TRADEWINDS

**CAUTION:**  
Read all instructions carefully before starting the installation. Check for missing parts by reviewing the Repair Parts List in the back of this book.



*Congratulations upon becoming a proud new pool owner! We take pride in bringing you a quality product which will afford years of pleasure. Your pool is an investment which deserves your care and attention. This pool is designed for residential use only. Do not use for commercial applications.*

### INTRODUCTION AND SWIMMING POOL SAFETY

Swimming pools are fun and we want you to enjoy your new pool for years to come. Please spend some time reading your Owner's Manual and Safety Packet (packaged with your pool) to understand the operation and safety considerations of this product.

Serious permanent injury or death can occur in and around swimming pools. To prevent these tragic accidents, please read, understand, and strictly enforce all safety rules.

You must post and maintain your safety sign and decals as instructed. If your sign or decals are missing or damaged, please write for free replacements to:

Zodiac American Pools, Inc.  
265 Industrial Blvd.  
Midway, GA 31320  
(800) 338-1013



# SAFETY INSTRUCTIONS

As the owner, you have the most important role in reminding users of pool safety. You must set a safety example for your family and guests. Use common sense around your pool and demand that others use common sense.



**FAILURE TO HEED THESE WARNINGS CAN RESULT IN PERMANENT INJURY, PARALYSIS FROM A BROKEN NECK, ELECTROCUTION OR DROWNING.**

## **WATCH CHILDREN PREVENT DROWNINGS**

- Always watch and supervise children playing in or around pool to prevent drowning or injury. Never allow children or adults to climb on the outside structure of the above ground pool. Do not place filters, pumps, tables, chairs or other objects near the pool. Children may use these to enter the pool and drown. Position your filtration system a safe distance from the pool to prevent young children from using the filter as a means of access to the pool.

## **NO DIVING**

- Never dive, flip or jump into this above ground swimming pool. It is too shallow for safe diving. Ladders, decks, handrails and top ledges (or anything else) are not to be used for diving. You can break your neck!
- Most serious permanent injuries, paralysis or deaths occur when dives are made from pool decks. Please read your four page "Mandatory Reading" Booklet supplied with this pool before you purchase or fabricate a deck for your pool.

## **NO ALCOHOLIC BEVERAGES**

- Never use your swimming pool if you have been drinking alcoholic beverages or taking medications or drugs. Shock, unconsciousness, permanent injury or drowning could result.

## **FENCE SAFETY**

- As an additional deterrent against child drownings, you should install around the pool an additional four (4) foot tall (above-ground level) fence, wall or enclosure that is made of durable material. All gates and entries must be self-closing and self-latching and equipped with hardware for permanent locking. All latches must be installed four (4) feet above the ground surface and made inaccessible to toddlers from outside. If a building is part of the barrier, all doors, windows and patio gates that could provide access to the pool must be self-closing and self-latching with permanent locks so that your pool can not be entered by toddlers. Check all local and state building codes to insure your installation complies with all requirements. Fences and barriers are not a substitute for adult supervision.

## **INSTALL POOL ABOVE GROUND**

- Never install your above-ground swimming pool below the ground surface. This pool must be installed on the ground surface only. There should be a flat, three (3) foot area (minimum) around the base of your pool wall.

## **POOL COVER SAFETY**

- If you use a winter cover and did not purchase it from us, the cover must meet CPSC Standard ES13. The cover must have a tamperproof locking retainer cable that positions the cover around the pool wall and keeps it securely in place. Never allow anyone, especially small children on the cover. Asphyxiation or drowning could result.
- We do not make a barrier cover. If you purchase a cover to act as part of a barrier system, it must meet ASTM Standard F 1346. When purchasing any pool cover, please consult a swimming pool professional.

## **LADDER SAFETY**

- Ladders must be located over an upright (for metal frame pools), on a solid base and kept level.

## **ELECTRICAL HAZARD**

- Never touch or attempt to service electrical equipment, including your filter, when your body and/or the ground is wet. Electrocution or permanent injury due to high voltage (120V AC) could result.
- To avoid electrocution hazard, never use an electrical power source for any electrical equipment or your filter unless it is protected by a Class A (5 Milliampere Trip) Ground Fault Circuit Interrupter (GFCI) in accordance with the National Electrical Code Section 680.

## **ELECTRICAL BONDING**

- The pool should be bonded in accordance with Section 680-26 of the National Electrical Code. For further assistance contact your dealer or a local licensed electrician.

## **KEEP WATER CLEAN**

- Always keep your pool water clean so that the bottom is visible at all times. Individuals must be able to see that the water is too shallow for diving, and must be able to see small children in the pool!

## **NO SWIMMING AFTER DARK**

- Never use your swimming pool after dark or when you can not see the shallow depth of the water or the safety decals or signs. If you ignore this, you have the sole responsibility for providing adequate lighting to the pool, safety signs, walkways and decking. We recommend that you consult with a licensed electrical contractor or your power company to provide adequate lighting. You must also comply with all national and local electric codes.
- Never cut holes in your pool wall to install lights or anything else unless the hole locations are factory installed. Failure to obey this warning could cause structural damage to the pool wall, violently releasing large bodies of water. Wall structural failures may cause serious injury, electrocution or property damage.

# CAUTION

**FAILURE TO HEED THESE WARNINGS CAN RESULT IN SERIOUS INJURY OR PROPERTY DAMAGE.**

## **NO HORSEPLAY**

- Never allow horseplay in or around the pool.

## **POOL CHEMICALS**

- Do not place chlorine, chlorine tablets or sticks directly into the skimmer, or winterize your pool with liquid chlorine. Damage to the skimmer, pool liner and filter will result. Failure to obey this instruction will void all component warranties.
- Always follow Chemical Manufacturer's Instructions when storing, handling and dispensing pool chemicals.
- Your pool is exposed to more corrosive conditions than your car. Wax It often. At first sign remove rust and touch up immediately.

## **FILTER SAFETY**

- If you use filters that are not manufactured by ZODIAC AMERICAN POOLS, INC. be sure that the filter is an Underwriters Listed product for the USA (for other countries, it must be CSA, TUV/CE, or NOM approved) for your own protection against electrical hazards. (See Filter Instructions for more information.)

## **CHECK FOR POOL DAMAGE AND WEAR**

- Periodically check your pool and ladder components for damage and wear. Be sure all screws are in place. Replace all damaged or worn components and tighten all screws before you use the pool, deck or ladders.

## **DO NOT MODIFY POOL**

- Never modify the pool or accessories, or remove or drill holes in the pool, deck or ladder components unless instructed.

## **SHARP EDGES**

- Your pool wall is made of thin metal. There is an inherent cut hazard with metal so use gloves during installation. Check all pool and filtration parts for unusual sharpness. If you find unusual sharpness, please take steps to remove it with sand paper or file, or return part for replacement.

## **REPLACEMENT PARTS**

- Always use Original Equipment Manufactured (OEM) parts for you replacement requirements.

## **KEEP OFF TOP LEDGES**

- Do not stand, sit, climb or step on top ledge of pool wall. These prohibited activities may cause injury or break the pool wall..

# **REMEMBER: HAVE FUN BUT BE SAFE**

## **FOLLOW SAFETY INSTRUCTIONS**

- Read and follow all Safety Instructions packaged with the pool, ladder, filter or any other accessory. Additional pool safety publications, such as "Children Aren't Waterproof" and "Pool And Spa Emergency Procedures For Infants", can be obtained by writing the National Spa and Pool Institute, 2111 Eisenhower Avenue, Alexandria, Virginia 22314.

## **POST WARNING SIGNS**

- Make sure your "Warning" decals are in plain sight around your above-ground pool. Insist that all users, especially children and young adults understand and obey safety messages.

## **CALL US FOR REPLACEMENT SAFETY MATERIALS**

- If your "Warning" safety decals, signs or literature are missing, damaged or not legible, please write or call us for free replacements at: Customer Service Department, 265 Industrial Boulevard, Midway, GA 31320, (800) 338-1013.

## **POOL EMERGENCIES**

- Always have a strong light pole not less than 16 feet (4.88m) long with a blunt or hook end available at pool side in case of emergencies.
- Always have near your telephone the number of the nearest Trauma or Rescue Unit.

**These Safety Instructions require pool users to exercise common sense. Always use common sense in your use of this product in order to avoid risks associated with electricity and water which can result in paralysis from diving, drowning or electrocution.**

### **CHILD DROWNING ALERT**

**U.S. Consumer Product Safety Commission reports that drownings and near drownings of children, young adults and adults account for a substantial percentage of the risk of using this pool product. Children under the age of 5 years old are the highest risk. Please watch all children!**

## **SAVE THESE INSTRUCTIONS!**

# IMPORTANT - BEFORE YOU START

## 1. READ INSTRUCTIONS

Take your time and read these instructions thoroughly before you begin the pool installation. Follow all instructions. Do not take short cuts. This pool is designed for residential use only. Do not use for commercial applications.

## 2. CHECK LOCAL CODES—GET BUILDING PERMITS IF NECESSARY

Check your local building and electrical codes concerning installation and location of above ground pools and/or barrier devices. You should have all required permits before you start the ground preparation.

## 3. GET EVERYTHING TOGETHER

Review the tools and materials that you will need to install the pool. Purchase what you will need.

## 4. SETTING UP THE POOL

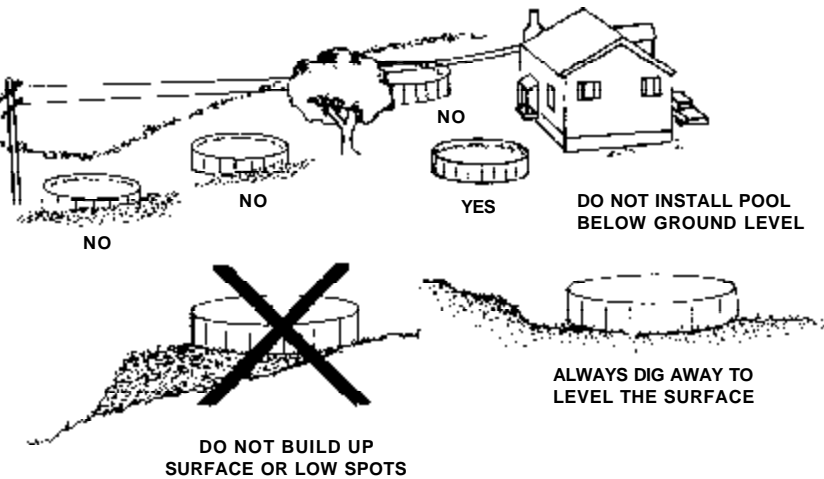
Do not attempt to install your pool on a windy day. The pool wall is extremely hard to handle in the wind and could possibly collapse causing permanent damage to your wall. Install your liner on a warm, sunny day (65°F) so the liner can stretch to fit the pool correctly.

## DETERMINE POOL LOCATION

Look over the various pool location situations shown at right.

### 1. TERRAIN

Look over your property for the most ideal pool location. A large area is best. If you have no flat area large enough for the pool then try to pick a spot where you would have the least amount of digging to do. Do not install your pool with any of the wall area underground - or located in a major water drainage depression or sewer drain field. Ground area around the pool foundation should be level for three feet out from base of pool. **DO NOT BACKFILL AGAINST THE POOL WALL AND RIMS. THIS WILL CAUSE DAMAGE TO THE WALL AND RIMS AND VOID YOUR WARRANTY. Remember there MUST be a flat, three (3) foot area (minimum) around the base of your pool wall to prevent child drownings.**



### 2. CONVENIENT ELECTRICAL OUTLETS

Your filter and other accessories are operated by electricity. If there are no outside electrical outlets, you must have them installed by a qualified electrician in accordance with the National Electrical Code, Section 680 for the USA (for other countries, check with the applicable electrical codes for your area).

### 3. OVERHEAD ELECTRICAL WIRES

The pool should never be placed directly under any overhead power lines for precautionary measures. In some communities this is against the law.

### 4. UNDERGROUND CABLES AND UTILITIES

Before you start digging into the ground to level the surface, it would be wise to check with your telephone, electric and gas utilities as to the location of any underground lines or pipes.

### 5. TREES

Trees and their occupants are not best of friends with swimming pools. Falling leaves, branches and sap can be a constant problem in keeping the pool water clean (along with bird droppings and insects falling into the pool). These materials will necessitate cleaning your filtering unit more often. The further away from a tree, the better for your pool.

## GROUND SURFACE

It is important that your pool sit on firm, solid soil. The area must be free of grass, stones, roots and sharp objects. Any stones or roots flush or just below the ground surface must be removed. The earth below the pool will compress under the weight of the water and will expose these items to the liner causing damage. Any grass

under the pool will rot and give off an unpleasant odor.

Avoid installing your pool on ground that has been recently treated with oil base weed killers, chemicals or has been heavily fertilized. Avoid areas growing Nut Grass or Bermuda Grass (these grasses can grow up through pool liner).

### DO NOT INSTALL YOUR POOL ON:

- concrete • asphalt • peat moss
- tar paper • sand • gravel • wood
- chemically treated soil • grass
- astroturf

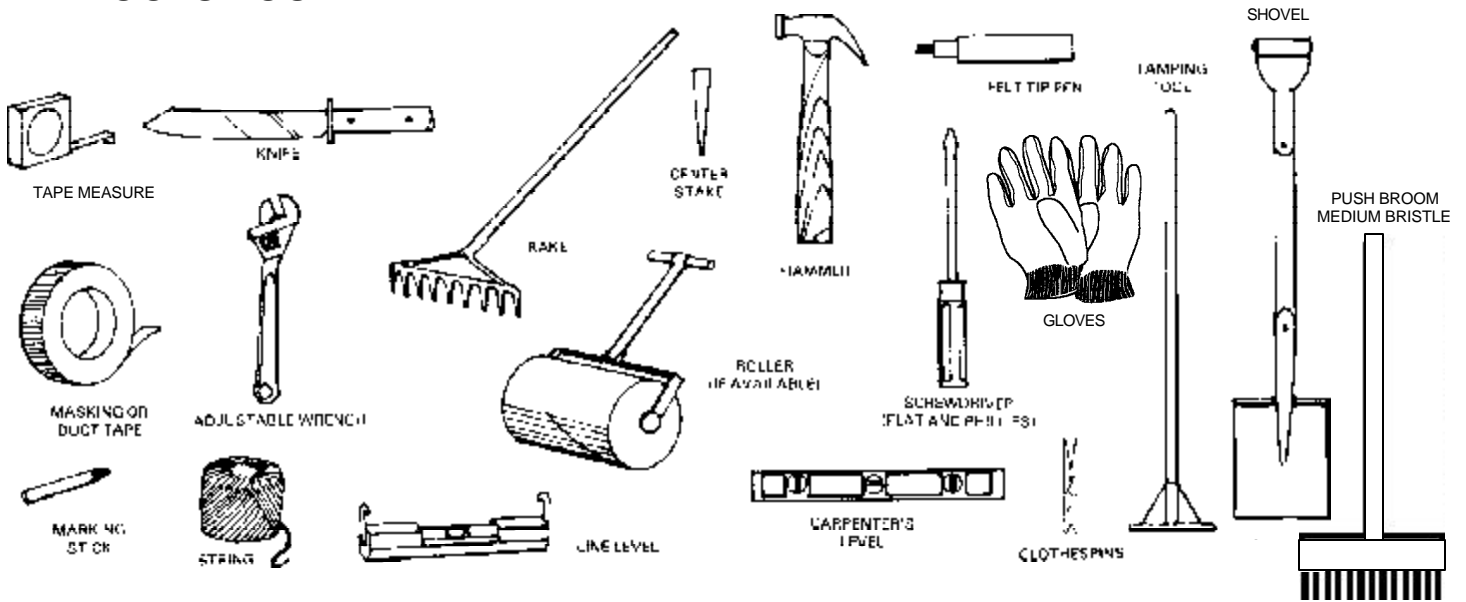
Installing your pool on these surfaces places undue stress on the sidewalls. This can lead to wall/liner failure and void your warranty.

# IMPORTANCE OF LEVEL POOL FOUNDATION

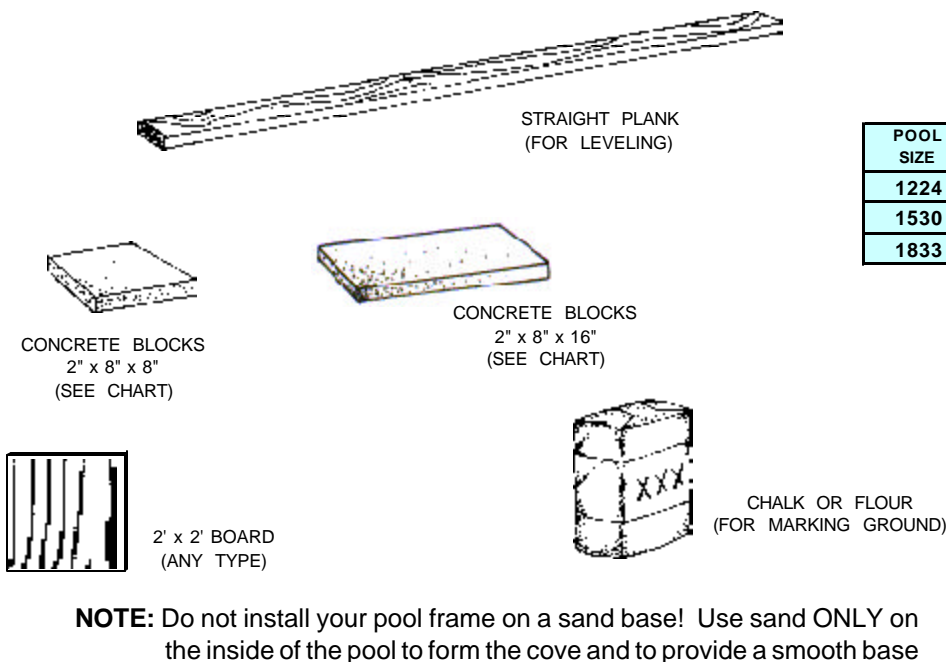
Think of your above ground pool as a big dam. If the pool is out of level or if the wall is worn or damaged, the uneven pressure can cause the wall to break or tip and allow thousands of gallons of rushing water to cause extensive property damage and injury to anyone in its path.

The amount of effort and care you put into the preparation of your pool foundation and maintenance of the pool wall can make a big difference in the life of your pool and liner. A solid, well-compacted, level earth foundation is the best base for your pool. Take the time to do a good and thorough job as explained in these instructions.

## TOOLS YOU'LL NEED



## MATERIALS YOU'LL NEED



WASHED MASONRY SAND (SEE CHART)

POOL SIZE	SAND REQUIRED FOR BOTTOM	CONCRETE BLOCKS REQUIRED	
		(2"x8"x8")	(2"x8"x16")
1224	3 TON	20	10
1530	5 TON	22	12
1833	6 TON	24	12

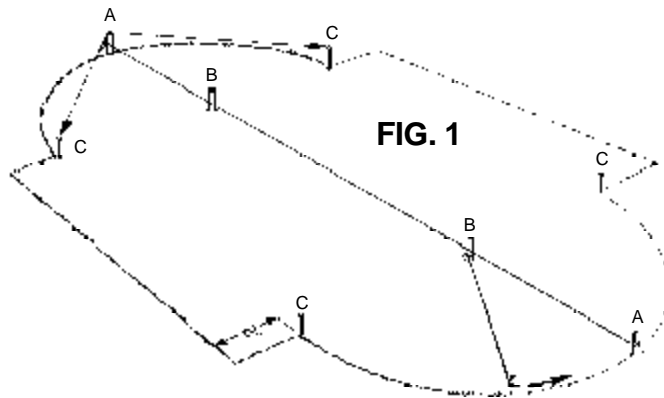
**NOTE:** Do not install your pool frame on a sand base! Use sand ONLY on the inside of the pool to form the cove and to provide a smooth base for the liner.

# NOTES

## 1. MARK OFF POOL AREA AND REMOVE SOD

Using the chart below and **Figure 1**, mark off pool area as shown. Measure carefully and drive pegs into the ground where indicated.

- Insert "A" pegs as shown (A to A) and connect with a string.
- Measure (A to B) and insert "B" pegs.
- Tie a loop at one end of a string and drop it around a "B" peg. Stretch the string out to the closest "A" peg and attach a marking stick. Mark off a semi-circle on both ends of the pool as shown, using flour, spray paint or something similar which is easily visible.
- From "A" pegs, measure (A to C) and insert "C" pegs.
- From each "C" peg, measure 2' and scribe a straight line as shown (Figure 1).
- Remove all sod, sticks, stones, and roots within the marked pool area. Carefully remove and replace "A" and "B" pegs when digging.

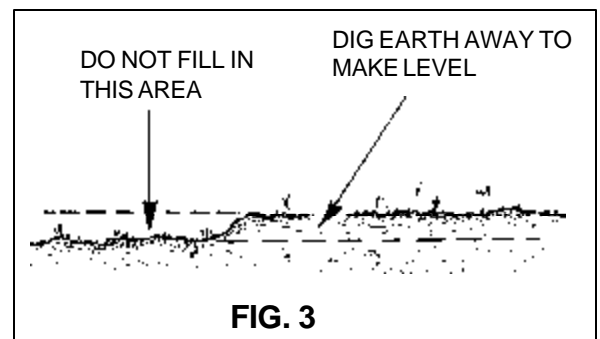
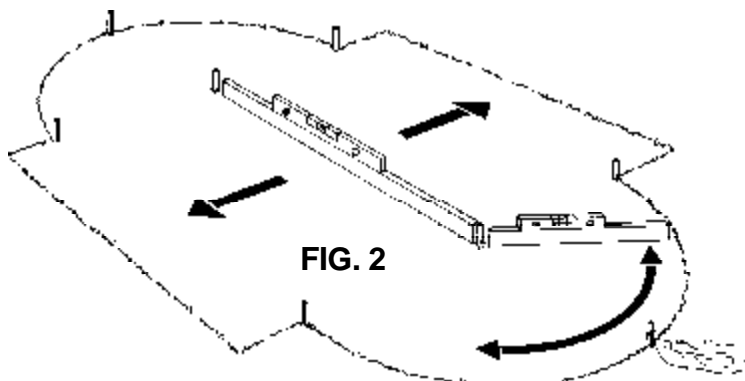


POOL SIZE	AREA NEEDED FOR POOL	MEASUREMENTS PEG TO PEG		
		A TO A	A TO B	A TO C
1224	18' x 26'	26'	7'	9'-10"
1530	21'-6" x 32'	32'	8'6"	12'
1833	24'-6" x 35'	35'	10'	14'-2"

## 2. LEVEL POOL AREA

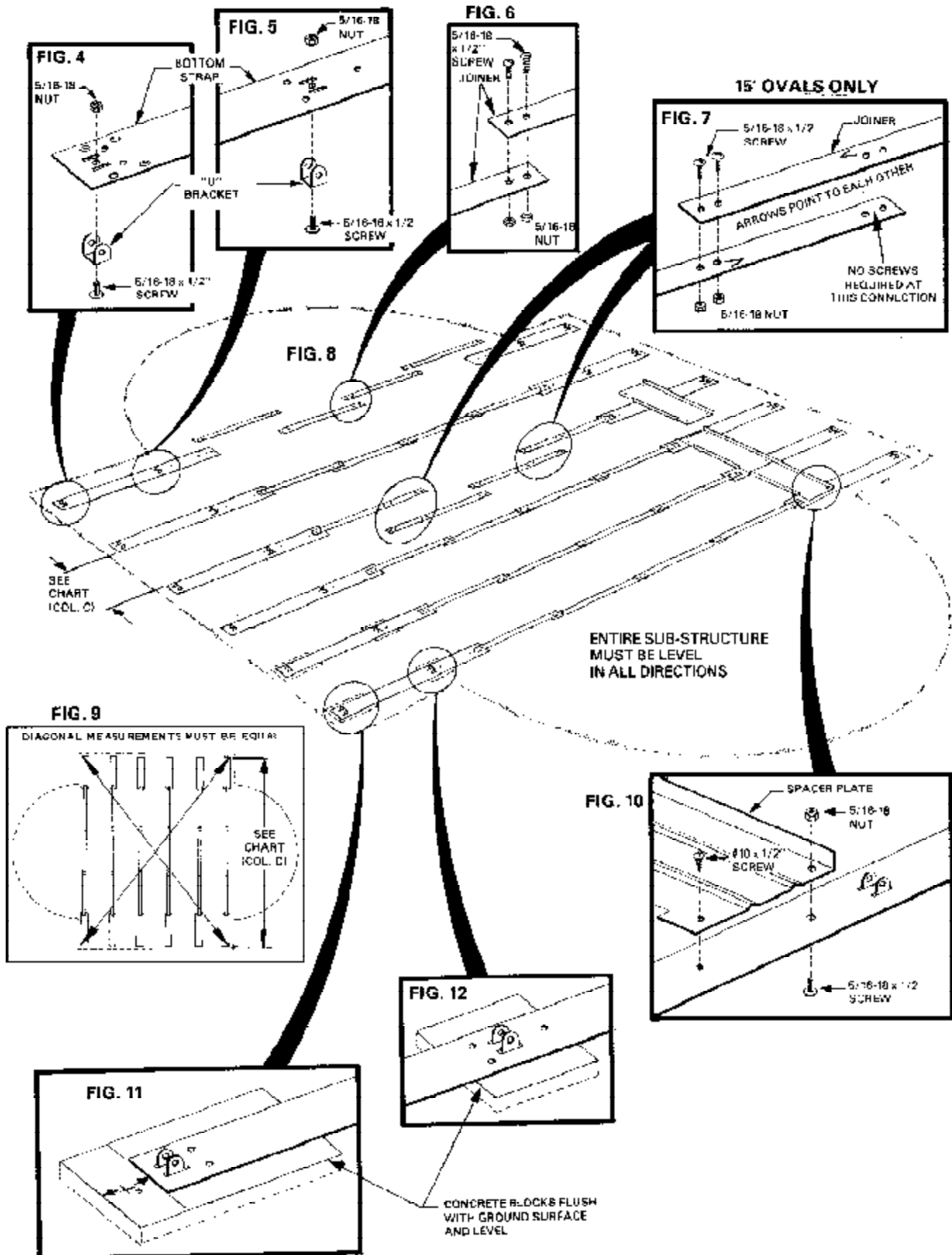
Unless you have access to a surveyor's level, the best, most accurate way to level the ground is with a straight plank (2 x 4 will do but it should be straight) and a carpenter's level (Figure 2). Find the lowest spot within the pool area and level the ground to the lowest point. Dig away the high areas — do not fill in low areas (Figure 3).

**REMEMBER:** You must also provide a three foot level area outward from the pool frame so the pool wall will serve as a barrier to toddlers.



### BE SURE:

- Recheck the level of entire pool area. The success of installation depends upon how well this is performed.



### 3. ASSEMBLE SUBSTRUCTURE

a. Attach two "U" brackets to each bottom strap with 5/16-18 x 1/2" machine screws and hex nuts as shown in Figures 4 and 5. Insert brackets and screws from under side of straps.

b. **12' and 18' OVALS**

Connect bottom straps and joiners to form strap assemblies as shown in Figure 8. Overlap two end holes in each joiner and fasten with two 5/16-18 x 1/2" machine screws and hex nuts (Figure 6). See chart (col. A) for number of joiners required in each strap assembly.

**15' OVALS**

Lay out and connect straps and joiners as shown in Figures 7 and 8. Overlap four holes in joiners so arrows point to each other (Figure 8). Fasten at each connection with two 5/16-18 x 1/2" machine screws and hex nuts (Figures 6 and 7).

c. Lay strap assemblies in pool area (Figure 8). Carefully space each assembly according to the measurement given in the chart (col. C). (Measurements are between straps).

d. Check length of strap assemblies across the pool as shown in Figure 9 and chart (col. D). Dimensions must agree with those in chart.

e. Check "squareness" of strap assemblies by measuring diagonally from corner to corner as shown in Figure 9. Diagonal measurements must be the same; assemblies must be level in all directions.

f. Insert concrete blocks at each bottom strap as shown. Large block extends 4" beyond end of strap (Figure 11); small block is centered under bracket towards inside of pool (Figure 12).

**IMPORTANT:** Concrete blocks must be flush with ground level and level with each other in all directions.

9. Set spacer plates between bottom straps as shown in Figure 8. Fasten at large hole with a 5/16-18 x 1/2" machine screw and hex nut (insert screws from under side of strap, leave nut loose - Figure 10). Align small holes and fasten from top with a #10 x 1/2" screw (Figure 10) and then tighten the 5/16-18 hex nut.

**NOTE:** Spacer plates overlap at each bottom strap as shown (Figure 8).

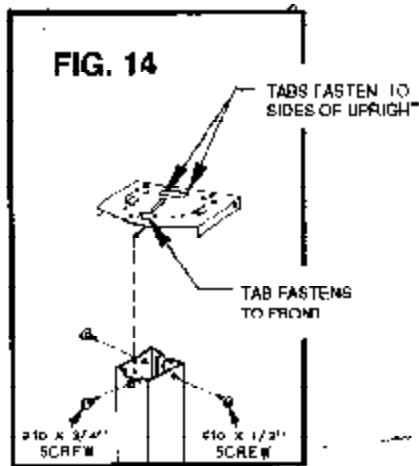
h. Before proceeding, re-check squareness of substructure as described in e.

	COLUMN A	COLUMN B	COLUMN C	COLUMN D
POOL SIZE	NUMBER OF JOINERS IN EACH ASSEMBLY	NUMBER OF ASSEMBLIES	DISTANCE BETWEEN BOTTOM STRAP	DISTANCE FROM END OF BOTTOM STRAP TO END OF BOTTOM STRAP
1224	2	5	32-1/4"	17'-2-3/8"
1530	4	6	27-1/8"	20'-8"
1833	4	6	27-1/8"	23'-7-1/2"

**BE SURE:**

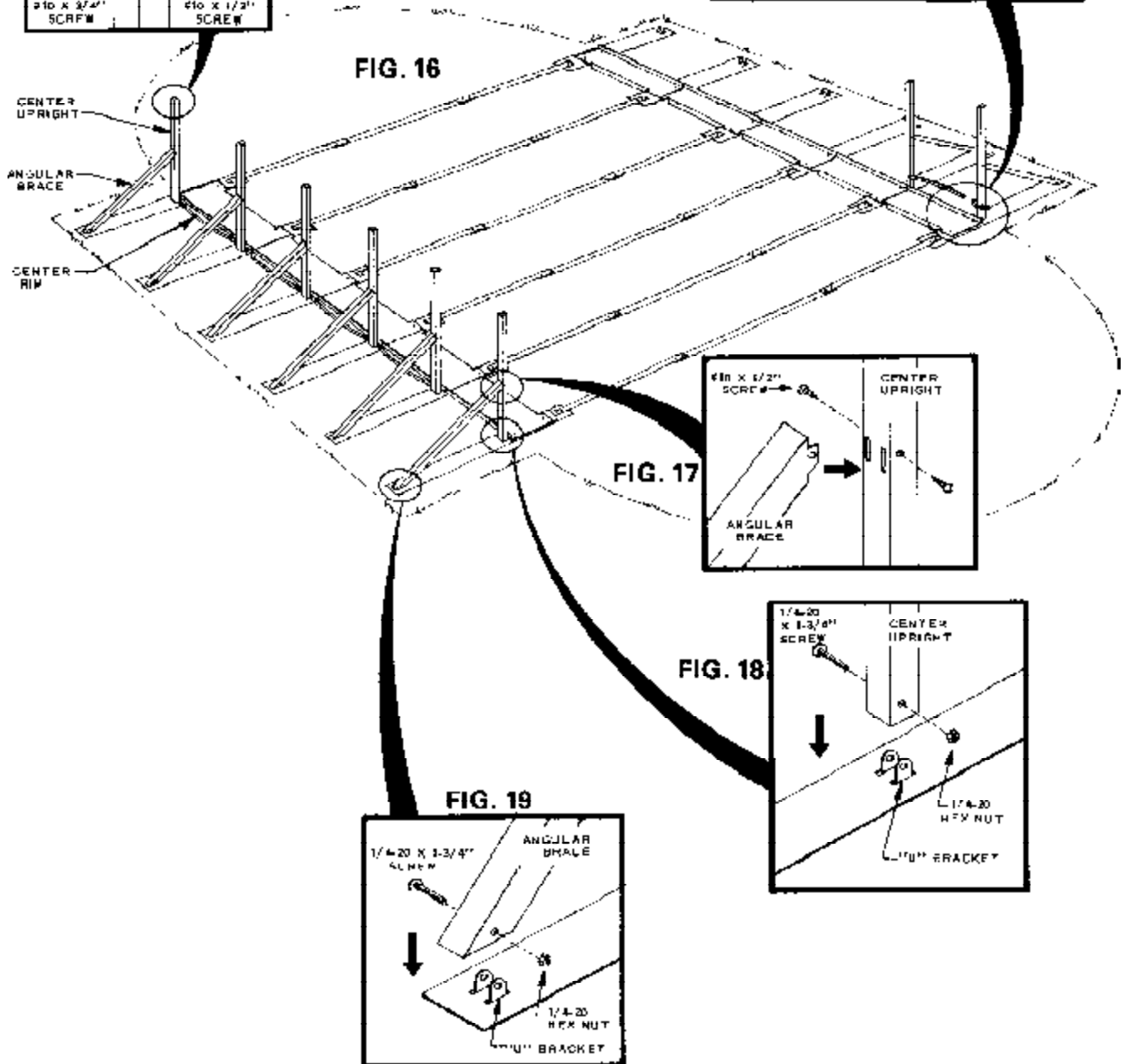
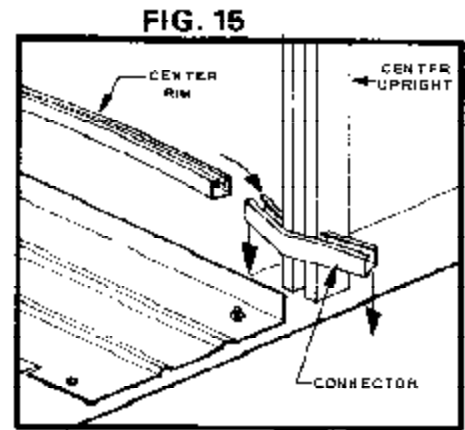
Check level before proceeding . . . entire substructure must be level in all directions.

Recheck squareness.



**TABS FASTEN TO SIDES OF UPRIGHT. TIGHTEN EQUALLY**

**NOTE: Tabs will flex to fit upright. Top plate will have a 1/4" gap away from center upright.**



#### 4. ASSEMBLE CENTER UPRIGHTS

- a. Fasten top plate to sides of upright with two #10 x 1/2" screws (Figure 14). Fasten the top plate to the front of the upright with one #10 x 3/4" sheet metal screw (Figure 14) NOTE: Front tab will have 1/4" gap in front of center upright.
- b. Follow a. for each center upright.

#### 5. ASSEMBLE SIDE SUPPORT STRUCTURE

- a. Position center upright over "U" bracket and fasten with a 1/4-20 x 1-3/4" machine screw and nut (Figure 18).
- b. Insert tabs of angular brace into slots on center upright (Figure 17); set other end of angular brace over "U" bracket on bottom strap (Figure 19).
- c. Fasten angular brace to center upright with two #10 x 1/2" screws (Figure 17). Fasten bottom of angular brace with a 1/4-20 x 1-3/4" machine screw and nut (Figure 19).
- d. Repeat a., b. and c. on both sides of pool.

**IMPORTANT:** This is the side support structure of your pool, therefore, you must be sure that all screws and nuts are tightened. DO NOT omit any screws and nuts!

- e. Install a center rim (see chart for length of rim to be used) and connector between each center upright (Figure 16). As shown in Figure 15, fit notched area of connector around center upright, insert rim end into connector, and slide down. Follow this procedure, alternating connector and rim on both sides of pool.

POOL SIZE	LENTGH OF CENTER RIM
1224	33"
1530	27-3/4"
1833	27-3/4"

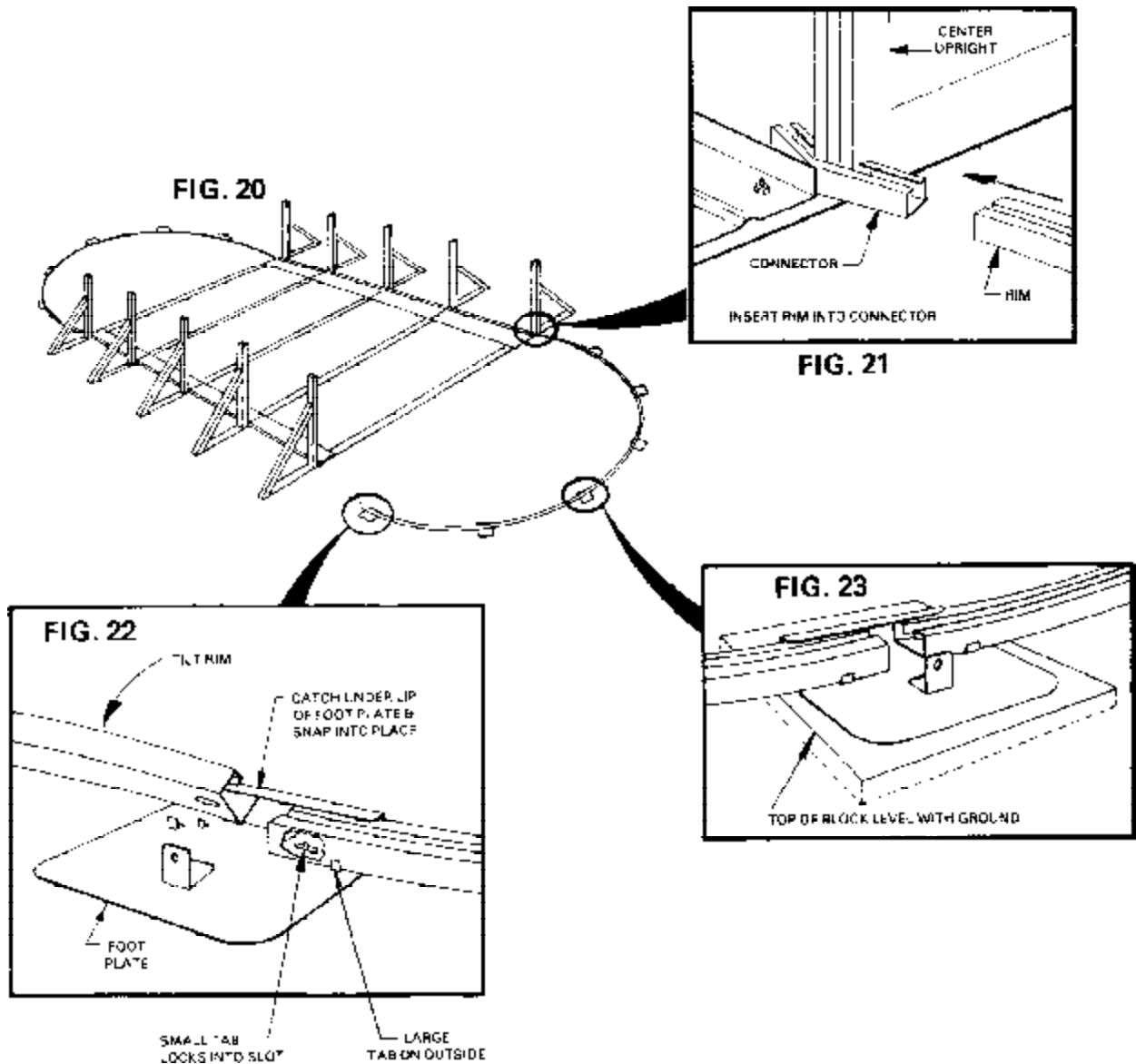
**BE SURE:**

- Check level before proceeding. Entire substructure must be level in all directions.
- Recheck squareness.

## 6. ASSEMBLE CIRCULAR BOTTOM FRAMEWORK

- Form a semicircle of rims and foot plates on each end of the pool as shown in Figure 20. Snap rims into foot plates engaging all tabs as shown in Figure 22. Where rims meet center uprights, insert ends into notch at base of upright (Figure 21).
- Insert concrete blocks at each foot plate—blocks must be flush with ground surface and level in all directions (Figure 23).
- Check the level of your pool frame. It is not difficult to make adjustments now. Spending a few extra minutes now may save you hours of unnecessary work later!

*HINT:* All sand should be placed inside the rims before installing the pool wall.

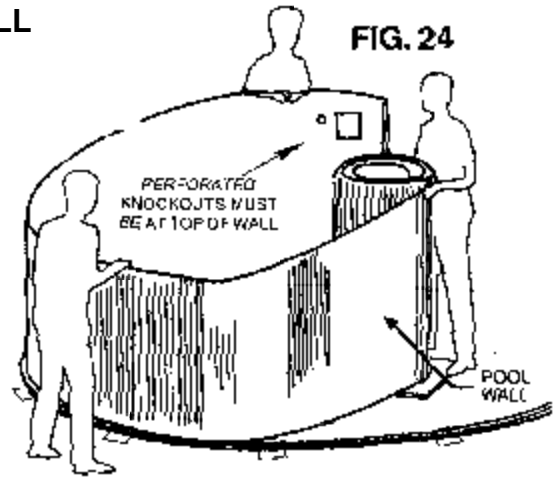


## 7. INSTALL POOL WALL

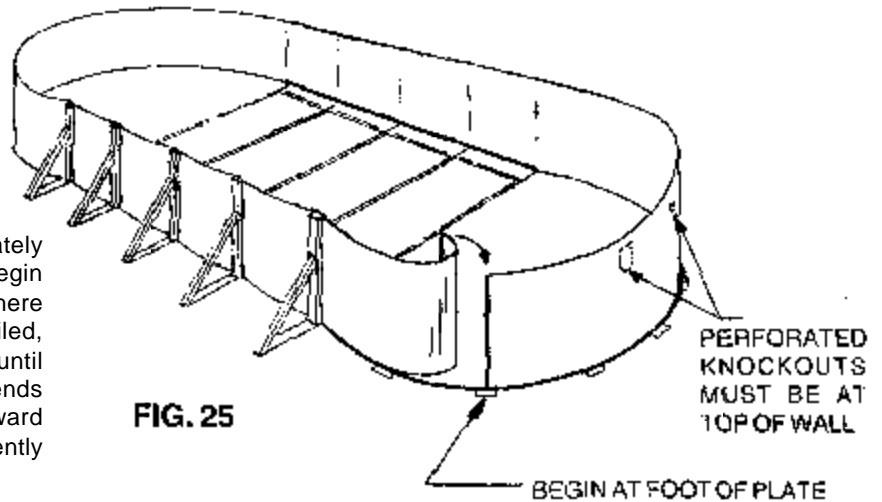
- a. Set coiled pool wall on a 2 X 2 wood board inside the pool area (FIG. 24). The perforated knockouts in the wall are for an optional thru-the-wall skimmer. Whether a skimmer is used or not, these knockouts **MUST** be positioned at the TOP of the pool (FIG. 24 & 25).

### IMPORTANT:

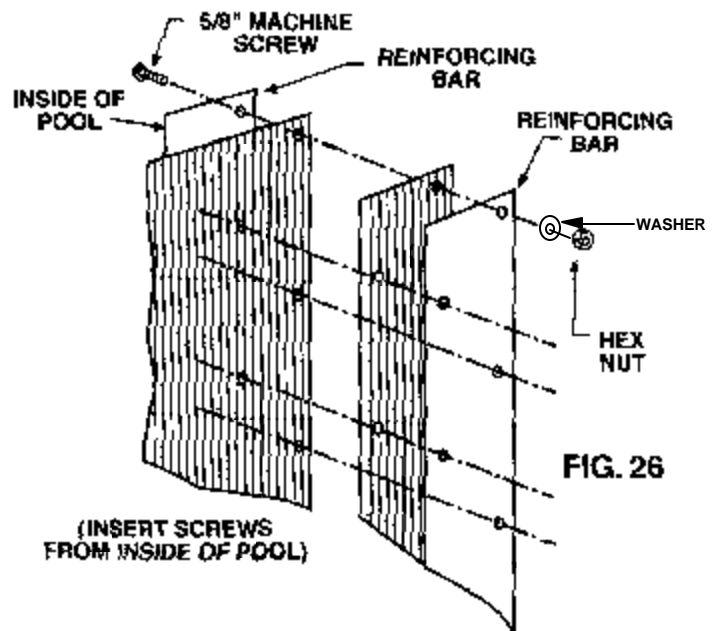
**If you are using a thru-the-wall skimmer, refer to your Skimmer Owner's Manual and remove the knockout now. If you are not using a thru-the-wall skimmer do not remove the knockout panel. Cover ALL perforations (inside the pool) with heavy cloth or duct tape.**



- b. The skimmer knockouts begin approximately 12" from the beginning of the pool wall. Begin wall installation at the foot plate 12" from where your filter will be located. As wall is uncoiled, guide the bottom edge into the rim groove until wall ends, overlap and the holes align. If ends overlap too much, gently nudge rims toward outside of pool. If ends do not meet, gently nudge rims toward inside of pool.



- c. As you are joining the wall ends, attach the reinforcing bars on the outer sides of the pool wall using the 5/8" machine screws and hex nuts as shown in Fig. 26 - insert screws from inside of pool. Nuts and washers **MUST** be on outside (FIG. 26). To eliminate burrs on screw heads, hold screws in place with a screwdriver and then turn the nuts to tighten. Tighten the nuts to a maximum torque of 70 inch pounds. File off any burrs on screw heads and cover the inside wall joint with heavy tape.



### BE SURE:

- Tighten all nuts - do not omit any screws in wall joint.
- Check the entire substructure for sharp edges or corners. These areas must be covered with heavy cloth or duct tape.
- Pool must be level. Check pool level at several locations as shown in FIG. 28. If level varies 1" or more dismantle the pool wall and re-level the entire bottom framework.

### ⚠ WARNING

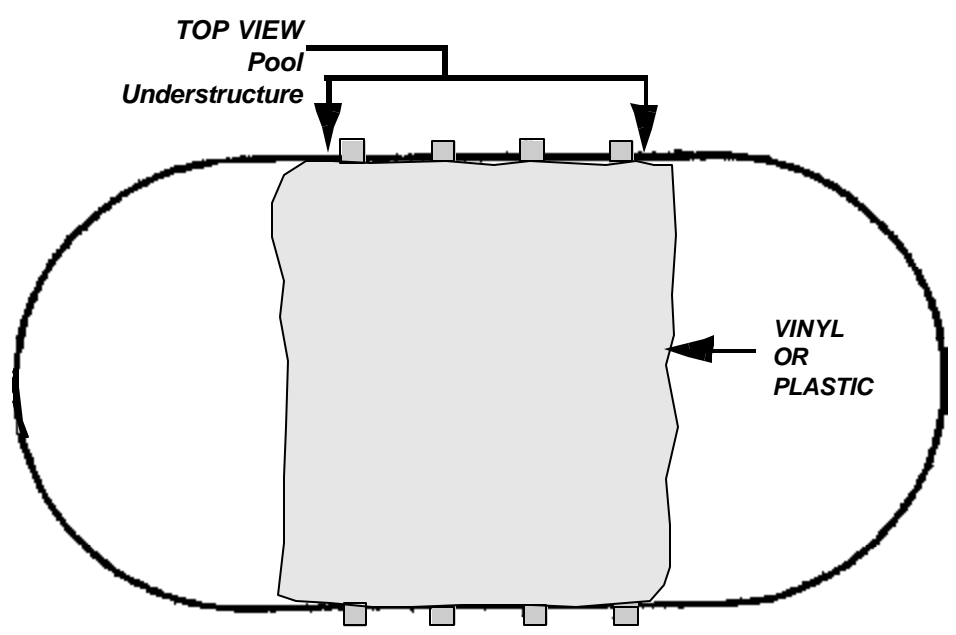
**POOL WALL MUST BE INSTALLED WITH ONE REINFORCING BAR ON THE INSIDE AND ONE ON THE OUTSIDE. FAILURE TO INSTALL BOTH BARS AS SHOWN WILL CAUSE COLLAPSE OF POOL!**

# IMPORTANT:

Follow these steps before adding sand to pool bottom or building cove.

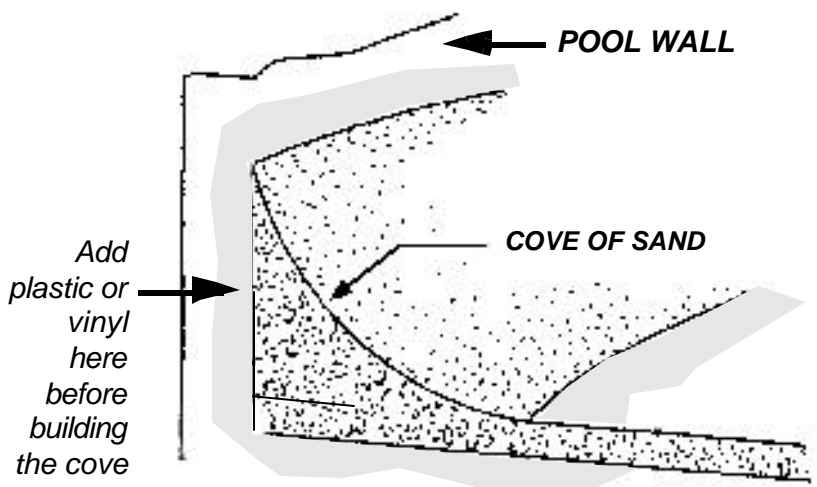
1.

COVER THE POOL UNDERSTRUCTURE WITH VINYL OR PLASTIC. THIS WILL HELP PREVENT SAND DISPLACEMENT WHICH MAY EXPOSE THE LINER TO THE UNDERSTRUCTURE OF THE POOL AND DAMAGE THE LINER.

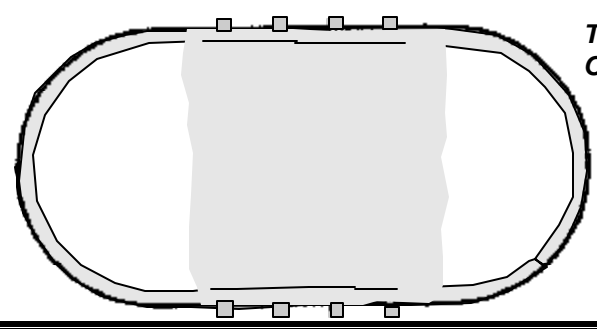


2.

COVER THE WALL AND POOL FLOOR AREA WITH VINYL OR PLASTIC (APPROXIMATELY 12" IN WIDTH) BEFORE BUILDING A COVE AROUND THE POOL. THIS WILL HELP TO PREVENT SAND LOSS AND THE POOL LINER FROM GOING UNDERNEATH THE POOL RIMS WHICH MAY DAMAGE THE LINER.



Cover the pool understructure and wall area with vinyl or plastic as shown here. Follow the instructions on page 15 to build a cove and add layer of sand to pool bottom.



## 8. BUILD A COVE AROUND INSIDE BASE OF POOL

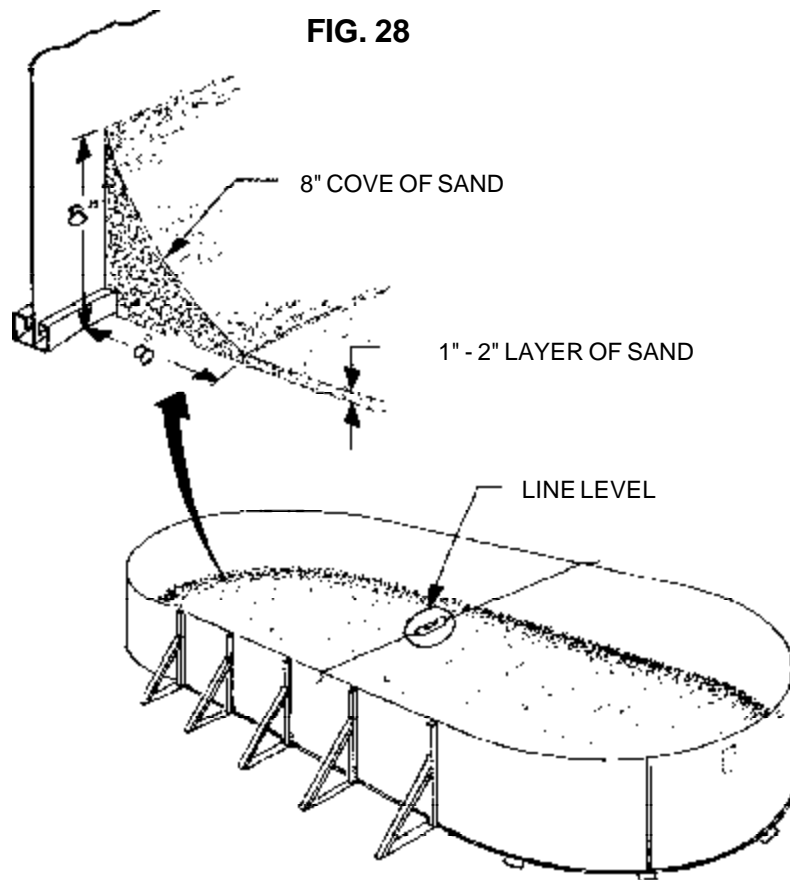
a. Build an 8" cove of firmly packed masonry sand around the inside base of the pool frame (FIG. 28). USE DAMPENED SAND ONLY! DO NOT USE PEAT MOSS OR ANY TYPE OF "POOL BASE" MATERIAL. The cove is absolutely necessary as it prevents the liner from creeping underneath the wall and rupturing.

**NOTE:** Commercially manufactured pool coving may be substituted for sand providing it does not contain ionomer foams (These materials are not compatible with PVC). Should you have any questions please consult your pool dealer or the pool cove manufacturer for the material composition of the coving.

b. Spread a 1" - 2" layer of sand over the entire pool area and tamp down (FIG. 28).

c. Periodically check the base of your pool to be sure the cove is firmly packed.

**IMPORTANT:** Certain types of commercial substances referred to as "Pool Base" can cause damage to your pool liner. This manufacturer will not be responsible for damage resulting from the use of such materials.



### BE SURE:

- The cove is a vital structural element of your pool. DO NOT OMIT!
- Check pool level before installing the liner.

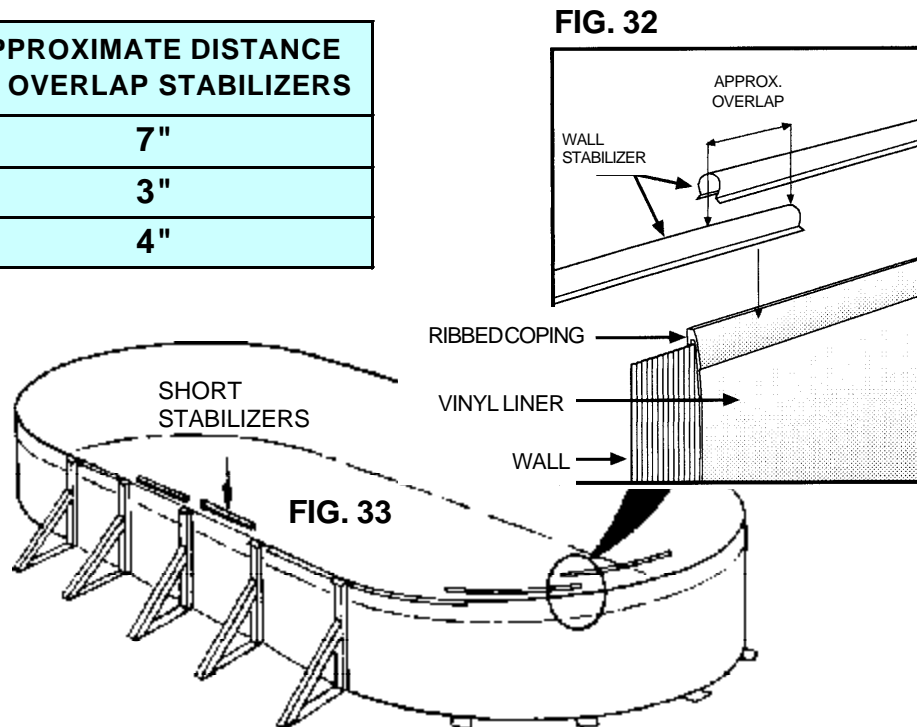


# NOTES

## 10. ATTACH LINER TO POOL

- As pool fills, watch for tension and wrinkles in the liner. Release the clothespins periodically to relieve tension and remove wrinkles.
- Continue filling pool to 16" depth and stop. Remove a few clothespins at a time and release tension in liner side material. Replace the clothespins.
- Snap the flexible ribbed coping over the liner (FIG. 32). Work around the entire pool a few feet at a time.
- Install metal stabilizers over the coping as shown in FIG. 33. Gently tap each stabilizer into place with a rubber mallet or a block of wood.
- Center the short stabilizers between uprights on the straight side of the pool (Figure 33). Install the long stabilizer around the curved ends of the pool (Figure 33). Overlap stabilizers along the curved end given in chart. (Figure 32).

POOL SIZE	APPROXIMATE DISTANCE TO OVERLAP STABILIZERS
1224	7"
1530	3"
1833	4"



### BE SURE:

- Carefully measure the distance between the water level and top edge of the pool wall (at several points). These measurements should not vary more than one inch. If they vary more than 1", your warranty will be void and the manufacturer will not assume responsibility for any personal injury or pool damage.

## 11. FILL THE POOL

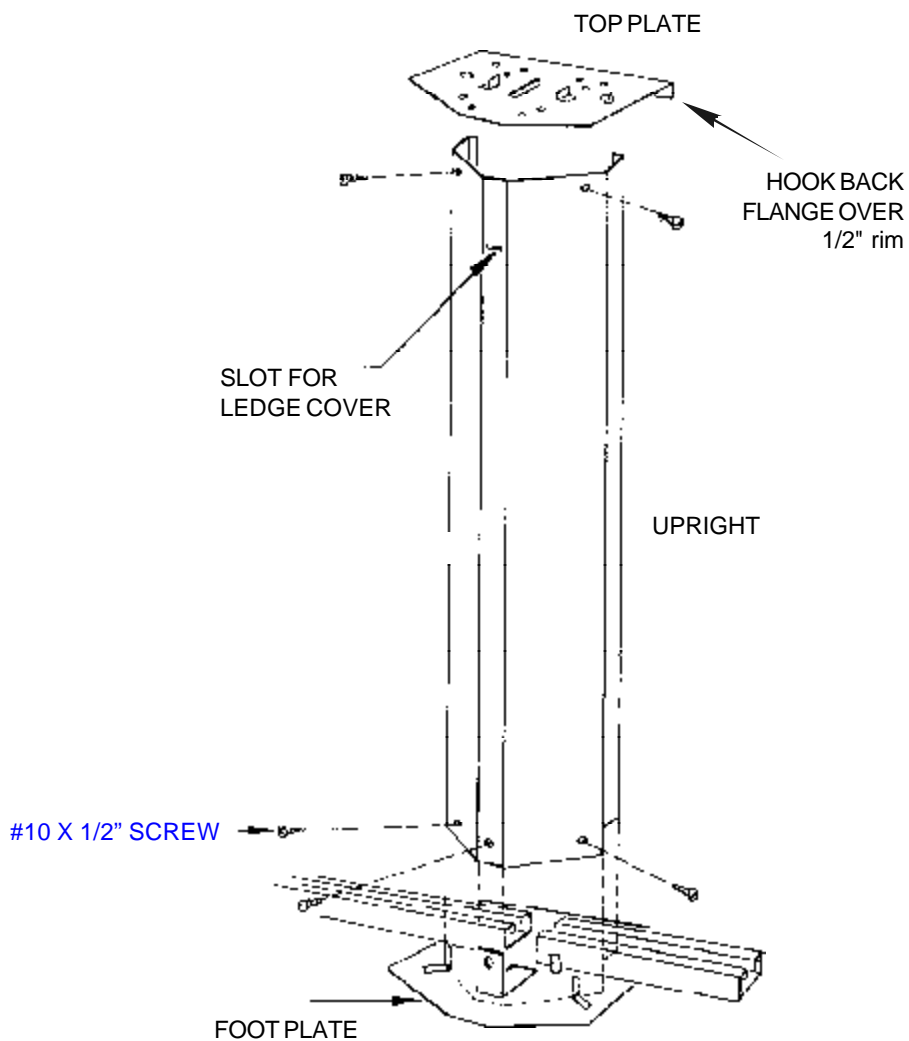
Continue to fill with water as you assemble the remaining parts of your pool. If you have purchased a thru-the-wall skimmer, stop filling pool when water level is 20"-22" from the top; refer to instructions packed with skimmer for assembly of thru-the-wall skimmer.

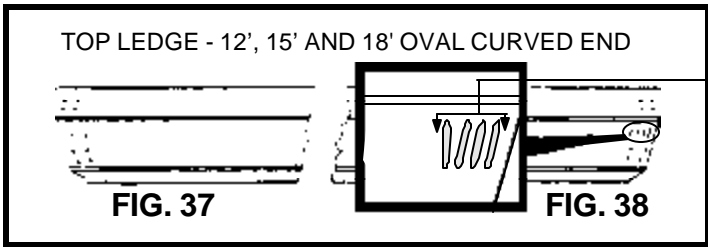
# NOTES

## 12. ASSEMBLE UPRIGHTS (CURVED ENDS)

- a. Fasten uprights to foot plates with three #10 x 1/2" screws. (FIG. 35)
- b. If you have the top plate and foot plate shown in FIG. 35: Hook the back flange of the top plate over the stabilizer then fasten top plate to upright with three #10 x 1/2" screws. Fasten sides first (FIG. 34).
- c. Using a carpenter's level, make sure the uprights are plumb.

**FIG. 35**





TAB SLOTS

FIG. 39

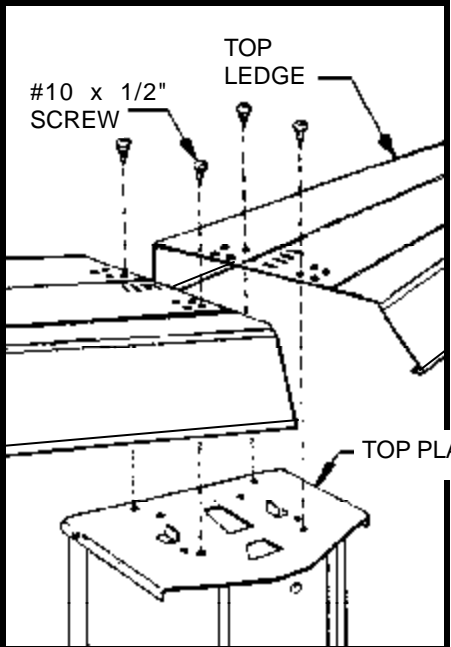
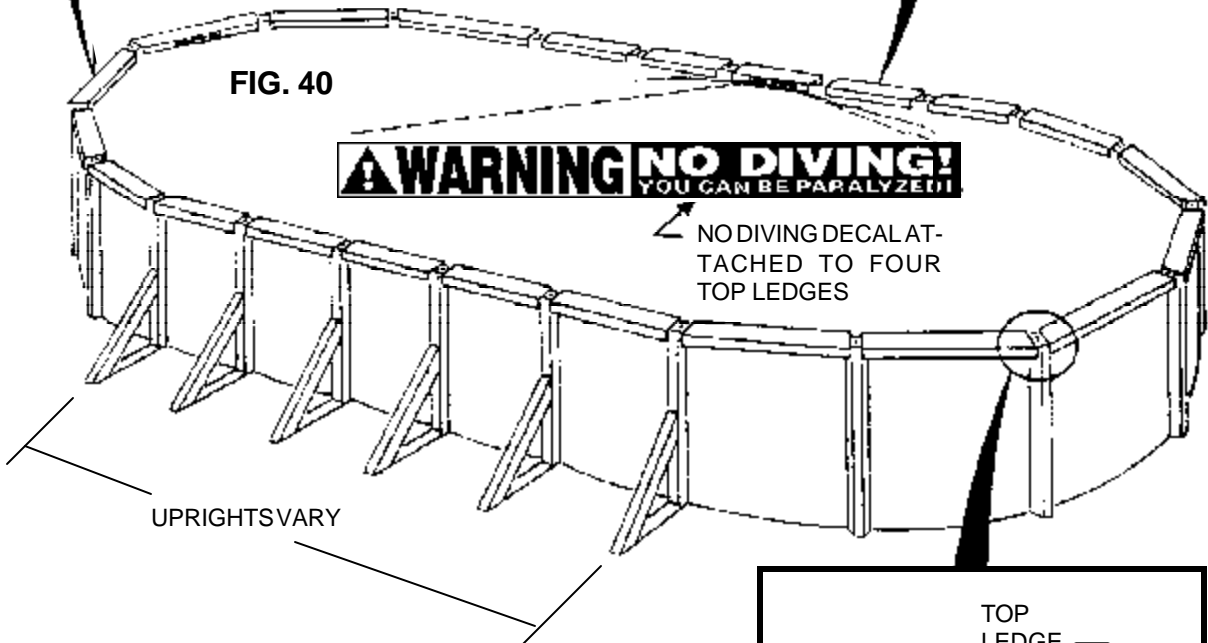
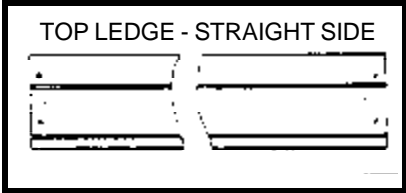
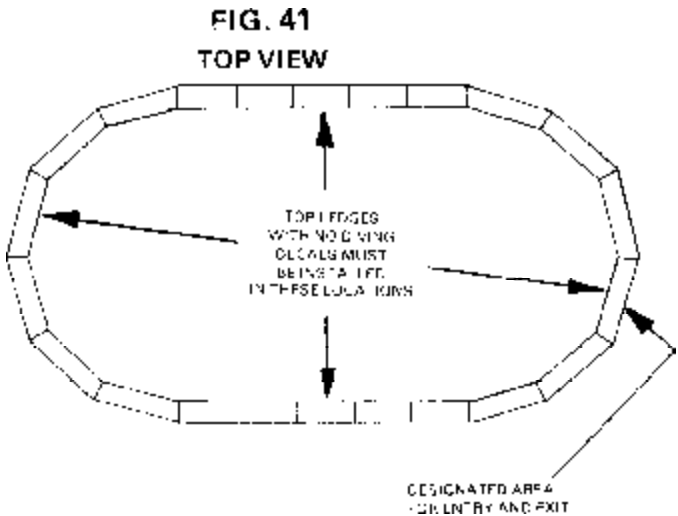


FIG. 42



### 13. INSTALL TOP LEDGES

“NO DIVING” warning decals have been factory applied to four top ledges (Figure 40). Install one of these ledges at the entry/exit of your pool. Install the second ledge directly across the pool from the entry/exit location (Figure 41). Install remaining two top ledges with decals at 90° to entry/exit as shown in Figure 41.

#### **12' OVALS:**

- a. Identify straight side top ledges — 34-1/4" long. and curved end top ledges — 36-9/10" long. from Figures 37, 38 & 39. Use tab slots as necessary for pool.
- b. Fasten each top ledge with four #10 x 1/2" screws (Figure 42).

#### **15' AND 18' OVALS:**

- a. Fasten short top ledges — 29" long. to straight sides of pool with four #10 x 1/2" sheet metal screws (Figure 42).
- b. Curved end top ledges — 52" long. are numbered on each end to correspond to the pool diameter (Figure 37). 15' ovals use slots numbered 15; 18' ovals use slots numbered 18.
- c. Fasten each top ledge with four #10 x 1/2" screws as shown in Figure 42.

### 14. INSTALL NO DIVING DECALS

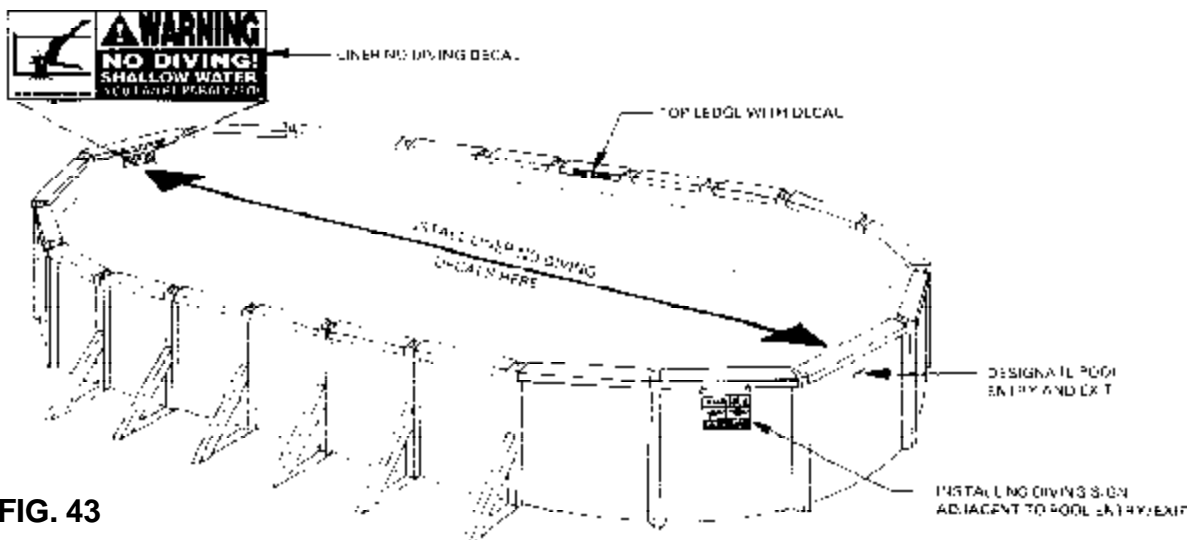
When pool is filled with water to correct skimmer level, install the two NO DIVING warning decals which you set aside in Step 9.

- a. Apply decals to the liner just above the maximum water level and just below the top ledge.
- b. Install one decal at the entry/exit location. Install second decal directly across the pool from the entry/exit location (Figure 41 and 43).

### 15. INSTALL NO DIVING SIGN

Your 9" x 11" NO DIVING sign must be posted in plain sight near your pool entry/exit location to remind pool users of the importance of this safety information.

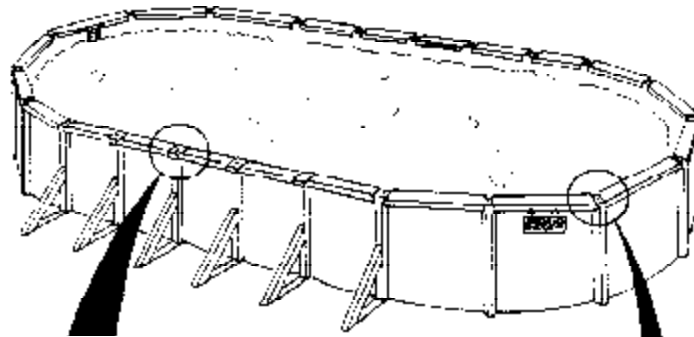
If you are not installing a fence or a deck on which to post your sign, you may attach it to the pool top ledge (Figure 43). Drill 1/8" diameter holes in the outside of the top ledge (adjacent to the entry/exit location) and fasten sign with the enclosed attachment wires.



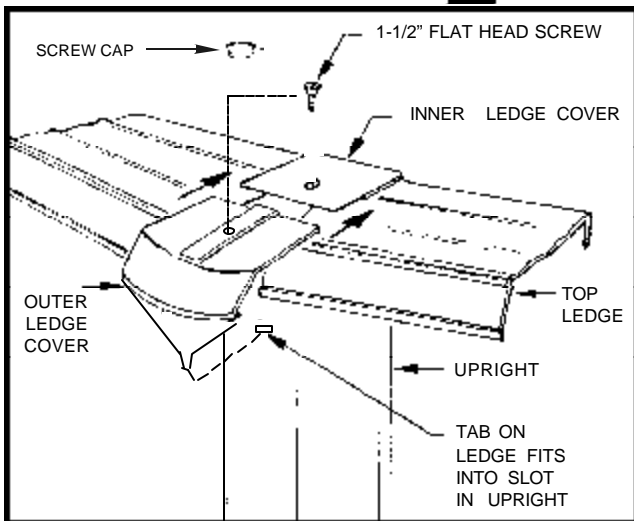
**FIG. 43**

## 16. INSTALL LEDGE COVERS

There are three styles of ledge covers. Determine which style you have and follow assembly procedures appearing with the picture of your ledge cover.

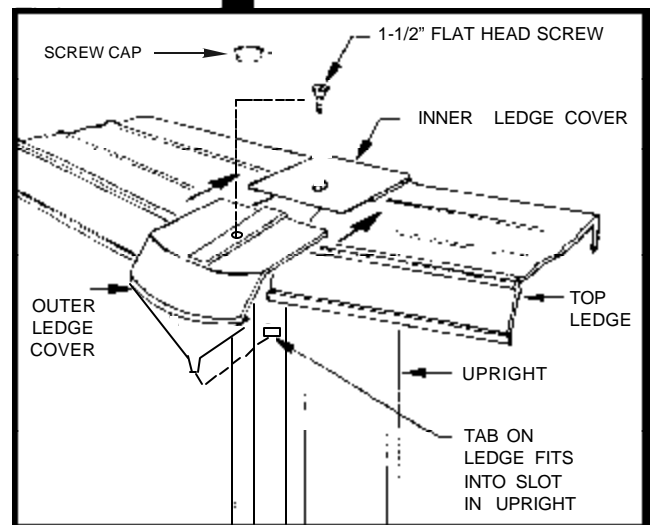


**FIG. 44**



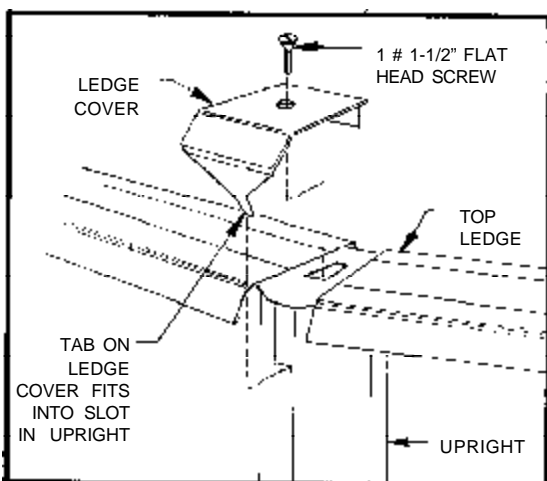
- Slide inner clamp over top ledge.
- Slide outer clamp over inner clamp. Make sure front tab fits into slot on upright.
- Secure with 1-1/2" flat head screw. Place screw cap over screw. (FIG. 44)

**FIG. 45**



- Slide inner clamp over top ledge.
- Slide outer clamp over inner clamp. Make sure front tab fits into slot on upright.
- Secure with 1-1/2" flat head screw. Place screw cap over screw. (FIG. 45)

**FIG. 45A**



- Fit the tab of the ledge cover into the slot on the upright. Snap ledge cover over the top of the ledges.
- Fasten ledge cover to top plate with a 1-1/2" flat head screw. (FIG. 45A)

### BE SURE:

- Follow all safety instructions in the special safety section packed with these assembly instructions.
- It is important to follow necessary health regulations concerning chlorination, circulation, and cleaning of your pool. This may be done by using a filter and the proper chemical treatment procedures. Your pool dealer has a complete line of filters and accessories with complete instructions on their use. For further information on care, maintenance, and winterization of your pool, refer to pool care booklet. Be sure to follow all safety instructions in same booklet. Preserve the finish of your pool frame by waxing it at least twice a year.

# Pool Maintenance

Your pool has a “winterized” liner which means you should never have to take the pool down or drain it. To get your pool ready for winter follow each of these important steps:

## 1. Winterizing Your Pool

- a. Vacuum and clean the pool. Remove and clean the filter system. Remove ladders and all movable objects from the pool area.
- b. Add chemicals according to manufacturer’s recommendations for winterizing your pool. During cold months and with the pool covered, chemicals will last much longer than in summer and will give you winter long protection against algae and bacteria buildup.
- c. Lower the level of water 6" below the bottom of the thru-the-wall skimmer. Put winterizing cap (available from Customer Service) into thru-the-wall return fitting then install winter plate on skimmer. Check and readjust this level after any heavy precipitation. Remove filter and accessories excluding fittings which are attached to the pool, and store filter according to the instructions.
- d. Look at all painted metal parts for scrapes or scratches. Sand and paint these.
- e. Check the gaskets on all thru-the-wall fittings for leakage or deterioration. These gaskets may need to be replaced.
- f. Cover your pool with a winter cover to inhibit drownings and assist in pool maintenance. Use flotation pillows to raise the cover at the center to help drain off water, and keep leaves and other debris from gathering. (Cover must be tamper proof and meet CPSC Standard ES13.) **Never allow children to walk or play on pool cover. Entrapment or drowning may occur!**

---

## 2. How to Prepare Your Pool for Spring

- a. Use a leaf skimmer to remove debris.
- b. Reinstall the filter and run continuously. Watch pressure carefully and clean filter when necessary.
- c. Super Chlorinate immediately.
- d. Vacuum the pool.
- e. Test the water for pH balance.

---

## 3. General Maintenance

If you don’t use a floating chemical dispenser or chlorine feeder, you must thoroughly dissolve the chemicals. This must be done outside the pool before you use them. Then pour slowly into the water as you walk around the pool. If chemicals are not dissolved first they can cloud the water. They can also shorten the filter cycle and damage the liner. The right pH and chlorine content are very important. Follow chemical manufacturer’s instructions for proper use of pool chemicals.

Keep the filter running when adding chemicals. The only way to clean your pool is by filtering and using chemicals, NOT by draining your pool and

filling it again. Draining your pool completely may result in liner shrinkage.

Wax your pool - Your pool is exposed to corrosive conditions. Help preserve the finish by waxing the metal parts with a good automotive wax at least twice a year.

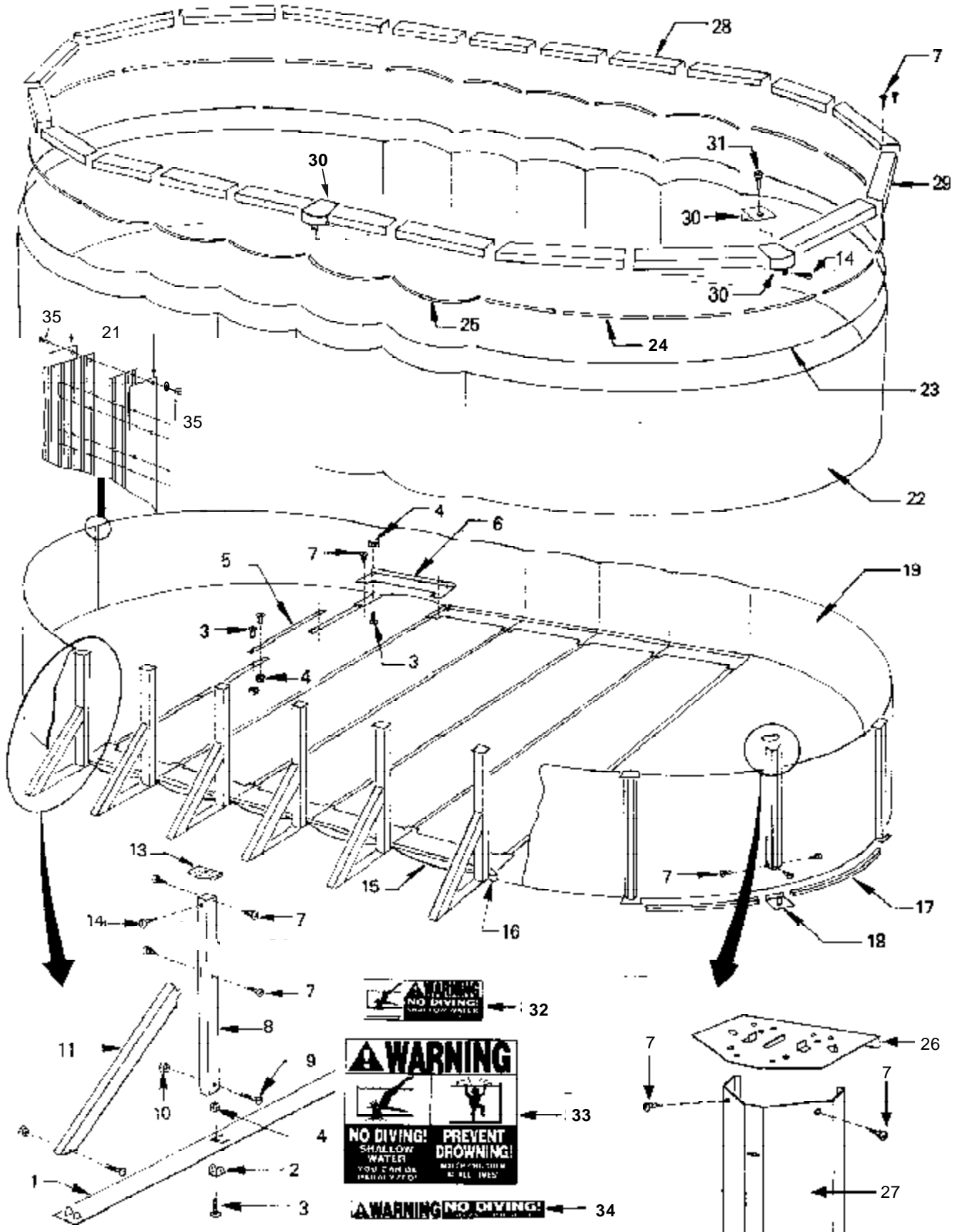
Periodically check wall at skimmer/return to make sure there are no leaks.

NOTE: The chemicals added to your pool is for sanitizing the water in your pool. The filter is used for cleaning the water in your pool.

**Check the metal parts periodically for rust spots. If touch-up is required:**

- a. Scrape any loose, flaking paint.
- b. Wipe any bare metal with tirpolene or mineral spirits.
- c. Prime bare metal areas with an Anti-Rust primer, or equivalent.
- d. Topcoat with Anti-Rust enamel.

# REPAIR PARTS

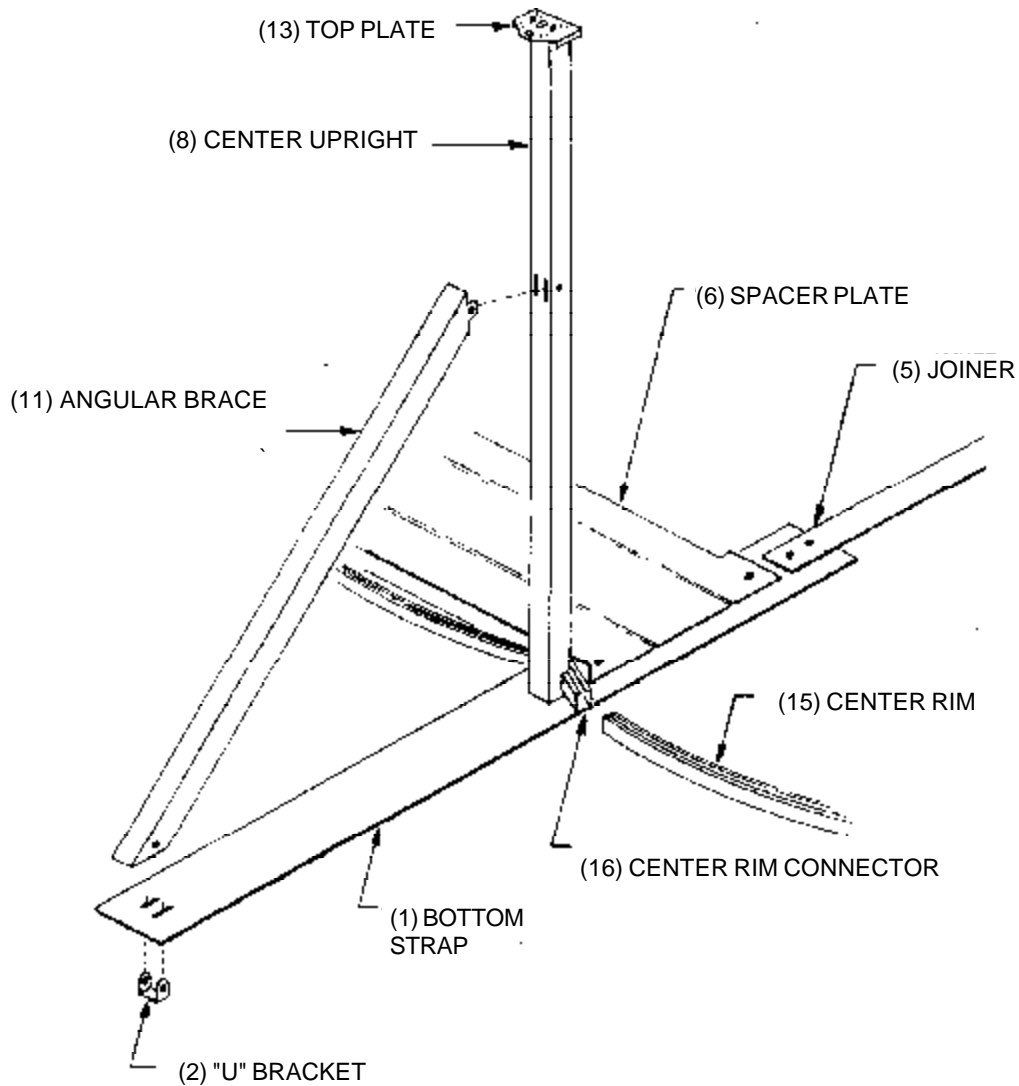


# REPAIR PARTS

KEY NO.	12' x 24'				15' x 30'				18' x 33'				DESCRIPTION
	(48") P/N	QTY	(52") P/N	QTY	(48") P/N	QTY	(52") P/N	QTY	(48") P/N	QTY	(52") P/N	QTY	
1	08010	10	08010	10	08010	12	08010	12	08010	12	08010	12	Bottom Strap
2	06002	20	06002	20	06002	24	06002	24	06002	24	06002	24	"U" Bracket
3	76036	60	76046	60	76036	96	76046	96	76036	96	76046	96	5/16-18 x 1/2" Machine Screw
4	75014	60	76014	60	76014	96	76014	96	76014	96	76014	96	5/16-18 Hex Nut
5	08009	10	08009	10	08008	24	08008	24	08008	24	08008	24	Tie Bar Joiner
6	08005	8	08005	8	08004	10	08004	10	08004	10	08004	10	Spacer Plate
7	76511	180	76511	180	76511	198	76511	198	76511	218	76511	218	#10x1/2" Phillips Truss Head Screw
8	10133	10	10145	10	10133	12	10145	12	10133	12	10145	12	Standard Center Upright
9	76024	20	76045	20	76024	24	76045	24	76024	24	76045	24	1/4-20 x 1-3/4" Machine Screw
10	75007	20	75007	20	75007	24	75007	24	75007	24	75007	24	1/4-20 Hex Nut
11	07037	10	07037	10	07037	12	07037	12	07037	12	07037	12	Angular Brace
13	03012	10	03012	10	03012	12	03012	12	03012	12	03012	12	Top Plate (Straight Side)
14	76513	10	76513	10	76513	12	76513	12	76513	12	76513	12	#10 x 3/4" 18-8SS Screw (1-piece Covers)
14	76513	30	76513	30	76513	34	76513	34	76513	36	76513	36	#10 x 3/4" 18-8SS Screw (2-piece Covers)
15	05057	8	05057	8	05056	10	05056	10	05056	10	05056	10	1" Bottom Rim (Straight Side Center)
16	05097	10	05097	10	05097	12	05097	12	05097	12	05097	12	1" Rim Connector (Center)
17	15060	12	15060	12	05047	12	05047	12	05048	14	05048	14	1" Bottom Rim (Curved End)
18	04003	10	04003	10	04003	10	04003	10	04003	12	04003	12	Foot Plate
19	**	1	**	1	**	1	**	1	**	1	**	1	Wall ***
21	09027	2	09020	2	09027	2	09020	2	09027	2	09020	2	Reinforcing Bar (Bearing Strip)
22	**	1	**	1	**	1	**	1	**	1	**	1	Vinyl Liner ***
23	30015	15	30015	15	30015	18	30015	18	30015	21	30015	21	Ribbed Coping
24	05076	14	05076	14	05077	18	05077	18	05078	22	05078	22	Stabilizer (Curved End)
25	05073	8	05073	8	05083	10	05083	10	05083	10	05083	10	Stabilizer (Straight Side Center)
26	03011	10	03011	10	03011	10	03011	10	03011	12	03011	12	Top Plate (Curved End)
27	10114	10	10117	10	10114	10	10117	10	10114	12	10117	12	Upright (Curved End)
28	02188	8	02188	8	02186	10	02186	10	02186	10	02186	10	Top Ledger White (Straight Side)
29	02191	12	02191	12	02185	12	02185	12	02185	14	02185	14	Top Ledger White (Curved End)
30	01041	20	01041	20	01041	22	01041	22	01041	24	01041	24	Ledge Cover White - Outer
30	01042	20	01042	20	01042	22	01042	22	01042	24	01042	24	Ledge Cover White - Inner
31	76521	20	76521	20	76521	22	76521	22	76521	24	76521	24	5/16" x 1-1/2" Flat Head 18-8SS Screw
32	96002	3	96002	3	96002	3	96002	3	96002	3	96002	3	Decal - "No Diving" Wall & Liner
33	96001	1	96001	1	96001	1	96001	1	96001	1	96001	1	"No Diving" Sign
34	96005	4	96005	4	96005	4	96005	4	96005	4	96005	4	Decal - "No Diving" Top Ledger
35	35043	1	35043	1	35043	1	35043	1	35043	1	35043	1	Wall Bolt Pack 48" & 52"
*	97042	1	97042	1	97042	1	97042	1	97042	1	97042	1	Owner's Manual

\* NOT SHOWN

\*\*\* OBTAIN FROM WALL LABEL AND LINER ID TAG



## Zodiac American Pools, Inc.

### HOW TO ORDER REPAIR PARTS

If you find any of the parts missing or defective or if you cannot identify a problem, do not take the package or any part of the package back to the place of purchase. Instead, contact:

CUSTOMER SERVICE  
 265 INDUSTRIAL BOULEVARD  
 MIDWAY, GA 31320  
 (800) 338-1013

WHEN ORDERING REPAIR PARTS ALWAYS GIVE THE FOLLOWING INFORMATION:

\*PART NUMBER\* \*PART DESCRIPTION\* \*NAME OF ITEM\* \*MODEL NUMBER\* \*POOL SIZE\* \*DATE PURCHASED\*





# ZODIAC

## **15 Season Limited Warranty**

### **POOL FRAME & WALL**

Zodiac American Pools, Inc. (ZAP) warrants to the original purchaser only, all metal parts to be rust resistant and to be free of defects in workmanship and material at the time of delivery and thereafter for a period of fifteen (15) seasons on a pro-rata basis, provided the part(s) are installed per the manufacturer's instructions. Any claim must be reported to the Customer Service Department as soon as the defect is discovered. Any return of merchandise under terms of this warranty must be authorized in advance. Proof of purchase will be required.

In accordance with the above, any metal part which may prove to be unserviceable due to rust and if reported to ZAP Customer Service before January 1 of the second calendar year immediately following purchase and delivery will be replaced free of charge. After January 1 of the second calendar year immediately following purchase and delivery and for the next thirteen (13) seasons any part found defective will be replaced at a pro-rated charge as follows:

1 <sup>st</sup> Season	No Charge	6 <sup>th</sup> Season	55%	11 <sup>th</sup> Season	80%	}
2 <sup>nd</sup> Season	No Charge	7 <sup>th</sup> Season	60%	12 <sup>th</sup> Season	85%	}
3 <sup>rd</sup> Season	30%	8 <sup>th</sup> Season	65%	13 <sup>th</sup> Season	90%	}
4 <sup>th</sup> Season	40%	9 <sup>th</sup> Season	70%	14 <sup>th</sup> Season	95%	}
5 <sup>th</sup> Season	50%	10 <sup>th</sup> Season	75%	15 <sup>th</sup> Season	95%	}

of the list price  
at the time of  
replacement

The above warranty is subject to the following conditions:

1. **A season ends December 31st of the calendar year.**
2. During the first two seasons, ZAP will pay the freight cost of any defective parts. During the third through fifteenth seasons the freight costs will be paid by the purchaser.
3. Any pool part replaced by ZAP pursuant to this warranty shall be installed or re-installed at purchaser's cost.

### **LIMITATION OF LIABILITY**

**IT IS EXPRESSLY AGREED THAT THERE ARE NO WARRANTIES MADE BY THE DEALER OR MANUFACTURER EXCEPT THOSE STATED ABOVE. ZAP DISCLAIMS ANY IMPLIED WARRANTIES, INCLUDING ANY IMPLIED WARRANTY OF MERCHANTABILITY, EXCEPT TO THE EXTENT THAT SUCH DISCLAIMER MAY BE PROHIBITED BY LAW DURING THE TERM OF THE WARRANTY STATED ABOVE.**

Under no conditions will ZAP or the dealer be responsible for labor charges, cost of loss of water or chemicals or any other related damages caused by or related to this ZAP product. Warranty does not cover damage resulting from ice movement, improper maintenance or assembly.

Some states do not allow limitations on how long an implied warranty lasts, so the above limitations may not apply to you.

Some states do not allow the exclusions or limitation of incidental or consequential damages, so the above limitation or exclusion may not apply to you.

This warranty gives specific legal rights, and you may also have other rights, which may vary from state to state.

In the event that you wish to make a warranty claim, or have some question about your ZAP product or its warranty, please call or write our Customer Service Department.  
**ZODIAC AMERICAN POOLS, INC., 265 INDUSTRIAL BLVD., MIDDWAY, GA 31320 PHONE: 912-880-7665 FAX: 912-884-4728**