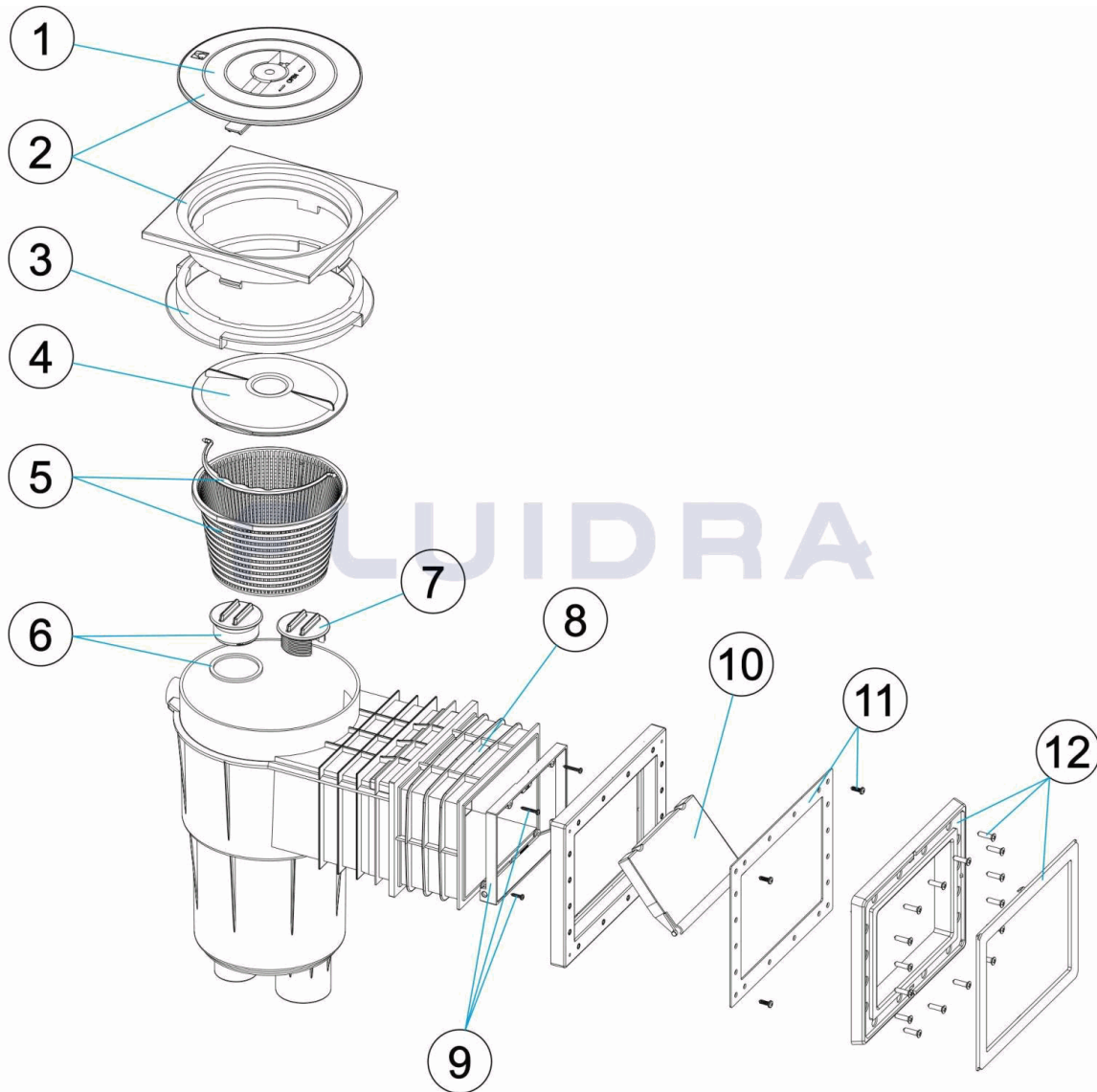


CODIGO 11310, 11310CL090, 11310CL129, 11310CL144

DESCRIPCION: SKIMMER 17,5L B.STAND. +ALARGO+T. CUADR.



ESPAÑOL

POS	CODIGO	DESCRIPCION	POS	CODIGO	DESCRIPCION
1	* 4402010509	TAPA SKIMMER	6	4402010503	TAPON CON JUNTA
1	* 4402010064	TAPA SKIMMER	7	4402010502	TAPON REGULADOR
1	* 4402010066	TAPA SKIMMER	8	* 4402010082	BOCA INTERMEDIA SKIMMER
1	* 4402010041	TAPA SKIMMER	8	* 4402010127	BOCA INTERMEDIA SKIMMER
2	* 4402010510	MARCO CUADRADO Y TAPA	8	* 4402010128	BOCA INTERMEDIA SKIMMER
2	* 4402010067	MARCO CUADRADO Y TAPA	8	* 4402010129	BOCA INTERMEDIA SKIMMER
2	* 4402010069	MARCO CUADRADO Y TAPA	9	* 4402010508	MARCO COMPUERTA SKIMMER
2	* 4402010040	MARCO CUADRADO Y TAPA	9	* 4402010119	MARCO COMPUERTA SKIMMER
3	* 4402010506	ANILLO DISTANCIADOR SKIMMER	9	* 4402010120	MARCO COMPUERTA SKIMMER
3	* 4402010073	ANILLO DISTANCIADOR SKIMMER	9	* 4402010042	MARCO COMPUERTA SKIMMER
3	* 4402010075	ANILLO DISTANCIADOR SKIMMER	10	* 4402010501	COMPUERTA SKIMMER CON CLIP
3	* 4402010039	ANILLO DISTANCIADOR 17,5L	10	* 4402010076	COMPUERTA SKIMMER CON CLIP
4	4402010505	TAPA CESTO SKIMMER	10	* 4402010079	COMPUERTA SKIMMER CON CLIP

* -> VER HOJA DE OBSERVACIONES

CODIGO **11310, 11310CL090, 11310CL129, 11310CL144**

DESCRIPCION: **SKIMMER 17,5L B.STAND. +ALARGO+T. CUADR.**

5	4402010504	CESTO SKIMMER 17,5 LTS.	10	* 4402010080	COMPUERTA SKIMMER CON CLIP
11	4402014001	JUNTA SKIMMER PEQUEÑA PISC. PREF.	12	* 4402010126	MARCO PEQUEÑO SKIMMER
12	* 4402010308	MARCO PEQUEÑO SKIMMER	12	* 4402010088	MARCO PEQUEÑO SKIMMER
12	* 4402010121	MARCO PEQUEÑO SKIMMER			

CODIGO 11310, 11310CL090, 11310CL129, 11310CL144

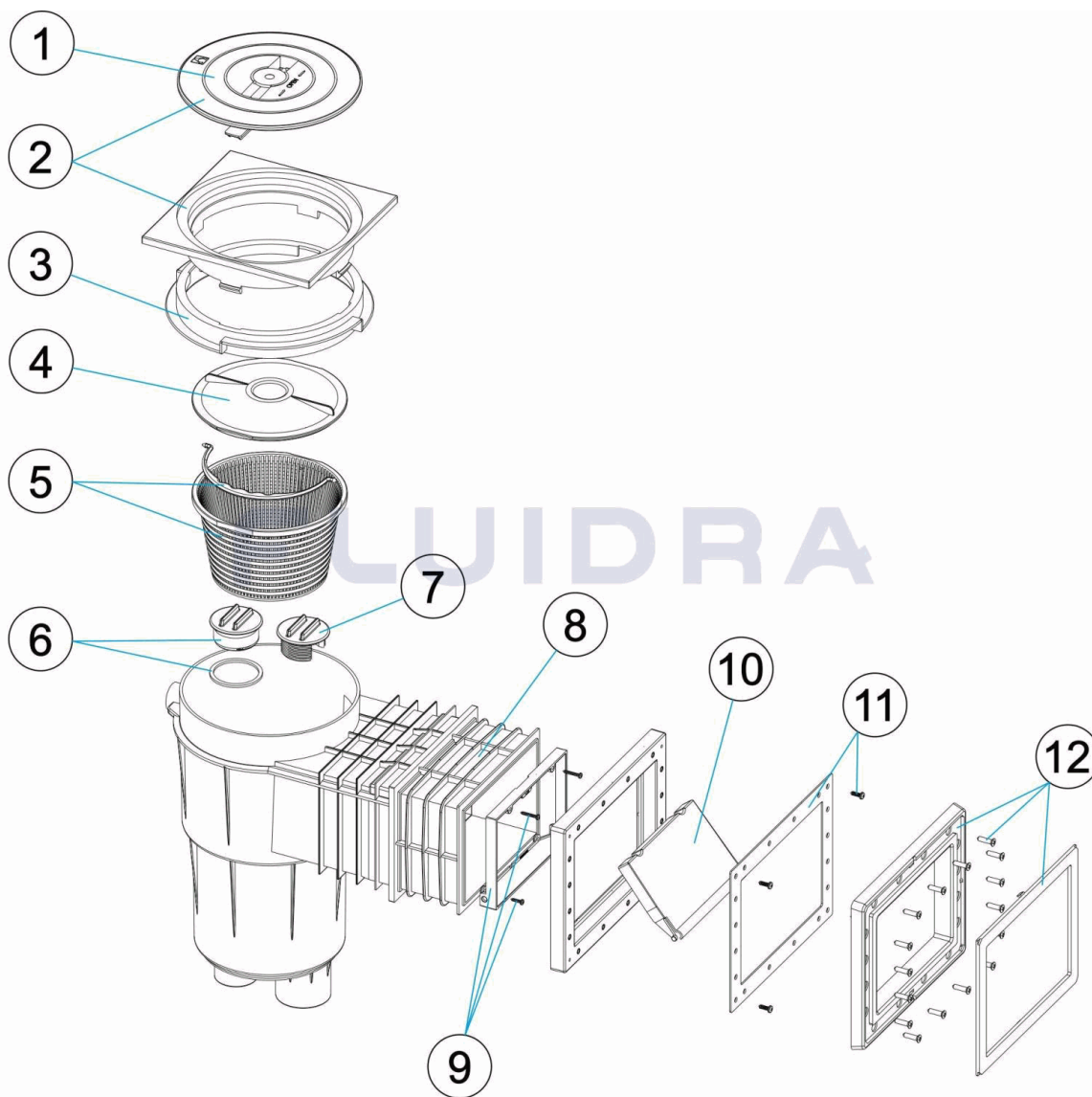
DESCRIPCION: SKIMMER 17,5L B.STAND. +ALARGO+T. CUADR.

OBSERVACIONES

POS	CODIGO	OBSERVACIONES
1	4402010509	PARA: 11310 BLANCO / WHITE
1	4402010064	PARA: 11310CL090 BEIGE
1	4402010066	PARA: 11310CL129 GRIS / GREY
1	4402010041	PARA: 11310CL144 ANTRACITA / ANTHRACITE
2	4402010510	PARA: 11310 BLANCO / WHITE
2	4402010067	PARA: 11310CL090 BEIGE
2	4402010069	PARA: 11310CL129 GRIS / GREY
2	4402010040	PARA: 11310CL144 ANTRACITA / ANTHRACITE
3	4402010506	PARA: 11310 BLANCO / WHITE
3	4402010073	PARA: 11310CL090 BEIGE
3	4402010075	PARA: 11310CL129 GRIS / GREY
3	4402010039	PARA: 11310CL144 ANTRACITA / ANTHRACITE
8	4402010082	PARA: 11310 BLANCO / WHITE
8	4402010127	PARA: 11310CL090 BEIGE
8	4402010128	PARA: 11310CL129 GRIS / GREY
8	4402010129	PARA: 11310CL144 ANTRACITA / ANTHRACITE
9	4402010508	PARA: 11310 BLANCO / WHITE
9	4402010119	PARA: 11310CL090 BEIGE
9	4402010120	PARA: 11310CL129 GRIS / GREY
9	4402010042	PARA: 11310CL144 ANTRACITA / ANTHRACITE
10	4402010501	PARA: 11310 BLANCO / WHITE
10	4402010076	PARA: 11310CL090 BEIGE
10	4402010079	PARA: 11310CL129 GRIS / GREY
10	4402010080	PARA: 11310CL144 ANTRACITA / ANTHRACITE
12	4402010308	PARA: 11310 BLANCO / WHITE
12	4402010121	PARA: 11310CL090 BEIGE
12	4402010126	PARA: 11310CL129 GRIS / GREY
12	4402010088	PARA: 11310CL144 ANTRACITA / ANTHRACITE

CODE 11310, 11310CL090, 11310CL129, 11310CL144

DESCRIPTION: SKIMMER 17,5L O.STAND. +RALLONGE+C. CARRÉ.



FRANCAIS

POS	CODE	DESCRIPTION	POS	CODE	DESCRIPTION
1	* 4402010509	COUVERCLE ROND DE SKIMMER	6	4402010503	BOUCHON SKIMMER AVEC JOINT
1	* 4402010064	COUVERCLE ROND DE SKIMMER	7	4402010502	BOUCHON REGULATEUR
1	* 4402010066	COUVERCLE ROND DE SKIMMER	8	* 4402010082	BOUCHE INTERMEDIAIRE RALLONGE SKIMMER
1	* 4402010041	COUVERCLE ROND DE SKIMMER	8	* 4402010127	BOUCHE INTERMEDIAIRE RALLONGE SKIMMER
2	* 4402010510	CADRE ET COUVERCLE ROND	8	* 4402010128	BOUCHE INTERMEDIAIRE RALLONGE SKIMMER
2	* 4402010067	CADRE ET COUVERCLE ROND	8	* 4402010129	BOUCHE INTERMEDIAIRE RALLONGE SKIMMER
2	* 4402010069	CADRE ET COUVERCLE ROND	9	* 4402010508	CADRE VOLET SKIMMER
2	* 4402010040	CADRE ET COUVERCLE ROND	9	* 4402010119	CADRE VOLET SKIMMER
3	* 4402010506	CADRE REHAUSSE COUVERCLE	9	* 4402010120	CADRE VOLET SKIMMER
3	* 4402010073	CADRE REHAUSSE COUVERCLE	9	* 4402010042	CADRE VOLET SKIMMER
3	* 4402010075	CADRE REHAUSSE COUVERCLE	10	* 4402010501	VOLET DE SKIMMER
3	* 4402010039	CADRE REHAUSSE COUVERCLE	10	* 4402010076	VOLET DE SKIMMER
4	4402010505	COUVERCLE PANIER SKIMMER	10	* 4402010079	VOLET DE SKIMMER

* -> VOIR FICHE D'OBSERVATIONS

CODE **11310, 11310CL090, 11310CL129, 11310CL144**

DESCRIPTION: **SKIMMER 17,5L O.STAND. +RALLONGE+C. CARRÉ.**

5	4402010504	PANIER SKIMMER 17,5 LTS	10	* 4402010080	VOLET DE SKIMMER
11	4402014001	JOINT SKIM PETIT MODELE PISCINE LINER	12	* 4402010126	BRIDE ET CACHE VIS KIT LINER
12	* 4402010308	BRIDE ET CACHE VIS KIT LINER	12	* 4402010088	BRIDE ET CACHE VIS KIT LINER
12	* 4402010121	BRIDE ET CACHE VIS KIT LINER			

CODE **11310, 11310CL090, 11310CL129, 11310CL144**

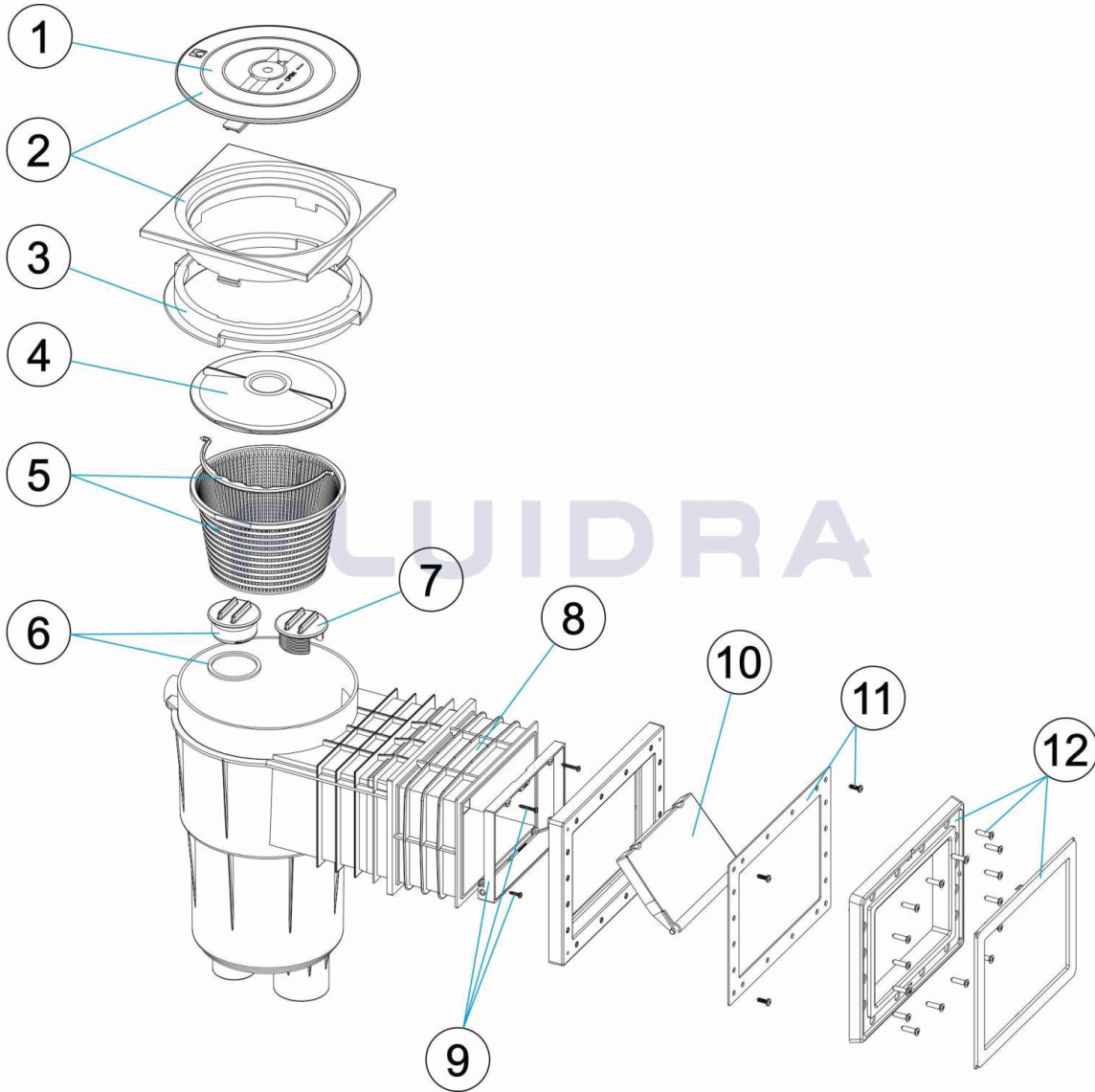
DESCRIPTION: **SKIMMER 17,5L O.STAND. +RALLONGE+C. CARRÉ.**

OBSERVATIONS

POS	CODE	OBSERVATIONS
1	4402010509	POUR: 11310 BLANCO / WHITE
1	4402010064	POUR: 11310CL090 BEIGE
1	4402010066	POUR: 11310CL129 GRIS / GREY
1	4402010041	POUR: 11310CL144 ANTRACITA / ANTHRACITE
2	4402010510	POUR: 11310 BLANCO / WHITE
2	4402010067	POUR: 11310CL090 BEIGE
2	4402010069	POUR: 11310CL129 GRIS / GREY
2	4402010040	POUR: 11310CL144 ANTRACITA / ANTHRACITE
3	4402010506	POUR: 11310 BLANCO / WHITE
3	4402010073	POUR: 11310CL090 BEIGE
3	4402010075	POUR: 11310CL129 GRIS / GREY
3	4402010039	POUR: 11310CL144 ANTRACITA / ANTHRACITE
8	4402010082	POUR: 11310 BLANCO / WHITE
8	4402010127	POUR: 11310CL090 BEIGE
8	4402010128	POUR: 11310CL129 GRIS / GREY
8	4402010129	POUR: 11310CL144 ANTRACITA / ANTHRACITE
9	4402010508	POUR: 11310 BLANCO / WHITE
9	4402010119	POUR: 11310CL090 BEIGE
9	4402010120	POUR: 11310CL129 GRIS / GREY
9	4402010042	POUR: 11310CL144 ANTRACITA / ANTHRACITE
10	4402010501	POUR: 11310 BLANCO / WHITE
10	4402010076	POUR: 11310CL090 BEIGE
10	4402010079	POUR: 11310CL129 GRIS / GREY
10	4402010080	POUR: 11310CL144 ANTRACITA / ANTHRACITE
12	4402010308	POUR: 11310 BLANCO / WHITE
12	4402010121	POUR: 11310CL090 BEIGE
12	4402010126	POUR: 11310CL129 GRIS / GREY
12	4402010088	POUR: 11310CL144 ANTRACITA / ANTHRACITE

CODE 11310, 11310CL090, 11310CL129, 11310CL144

DESCRIPTION: SKIMMER 17.5L PP. STANDARD MOUTH + EXTENSION + SQUARE COVER



ENGLISH

POS	CODE	DESCRIPTION	POS	CODE	DESCRIPTION
1	* 4402010509	SKIMMER LID	6	4402010503	BLANKING PLUG AND 'O' RING
1	* 4402010064	SKIMMER LID	7	4402010502	REGULATING PLUG
1	* 4402010066	SKIMMER LID	8	* 4402010082	SKIMMER THROAT
1	* 4402010041	SKIMMER LID	8	* 4402010127	SKIMMER THROAT
2	* 4402010510	SQUARE RIM AND LID	8	* 4402010128	SKIMMER THROAT
2	* 4402010067	SQUARE RIM AND LID	8	* 4402010129	SKIMMER THROAT
2	* 4402010069	SQUARE RIM AND LID	9	* 4402010508	FLAP FRAME
2	* 4402010040	SQUARE RIM AND LID	9	* 4402010119	FLAP FRAME
3	* 4402010506	COLLAR EXTENSION RING	9	* 4402010120	FLAP FRAME
3	* 4402010073	COLLAR EXTENSION RING	9	* 4402010042	FLAP FRAME
3	* 4402010075	COLLAR EXTENSION RING	10	* 4402010501	SKIMMER FLAP
3	* 4402010039	COLLAR EXTENSION RING	10	* 4402010076	SKIMMER FLAP
4	4402010505	VACUUM PLATE	10	* 4402010079	SKIMMER FLAP

* -> SEE OBSERVATIONS SHEET

CODE **11310, 11310CL090, 11310CL129, 11310CL144**

DESCRIPTION: **SKIMMER 17.5L PP. STANDARD MOUTH + EXTENSION + SQUARE COVER**

5	4402010504	BASKET 17,5 LITRES	10	* 4402010080	SKIMMER FLAP
11	4402014001	SMALL SKIMMER GASKETS FOR LINER POOL	12	* 4402010126	SMALL SKIMMER FRAME
12	* 4402010308	SMALL SKIMMER FRAME	12	* 4402010088	SMALL SKIMMER FRAME
12	* 4402010121	SMALL SKIMMER FRAME			

CODE **11310, 11310CL090, 11310CL129, 11310CL144**

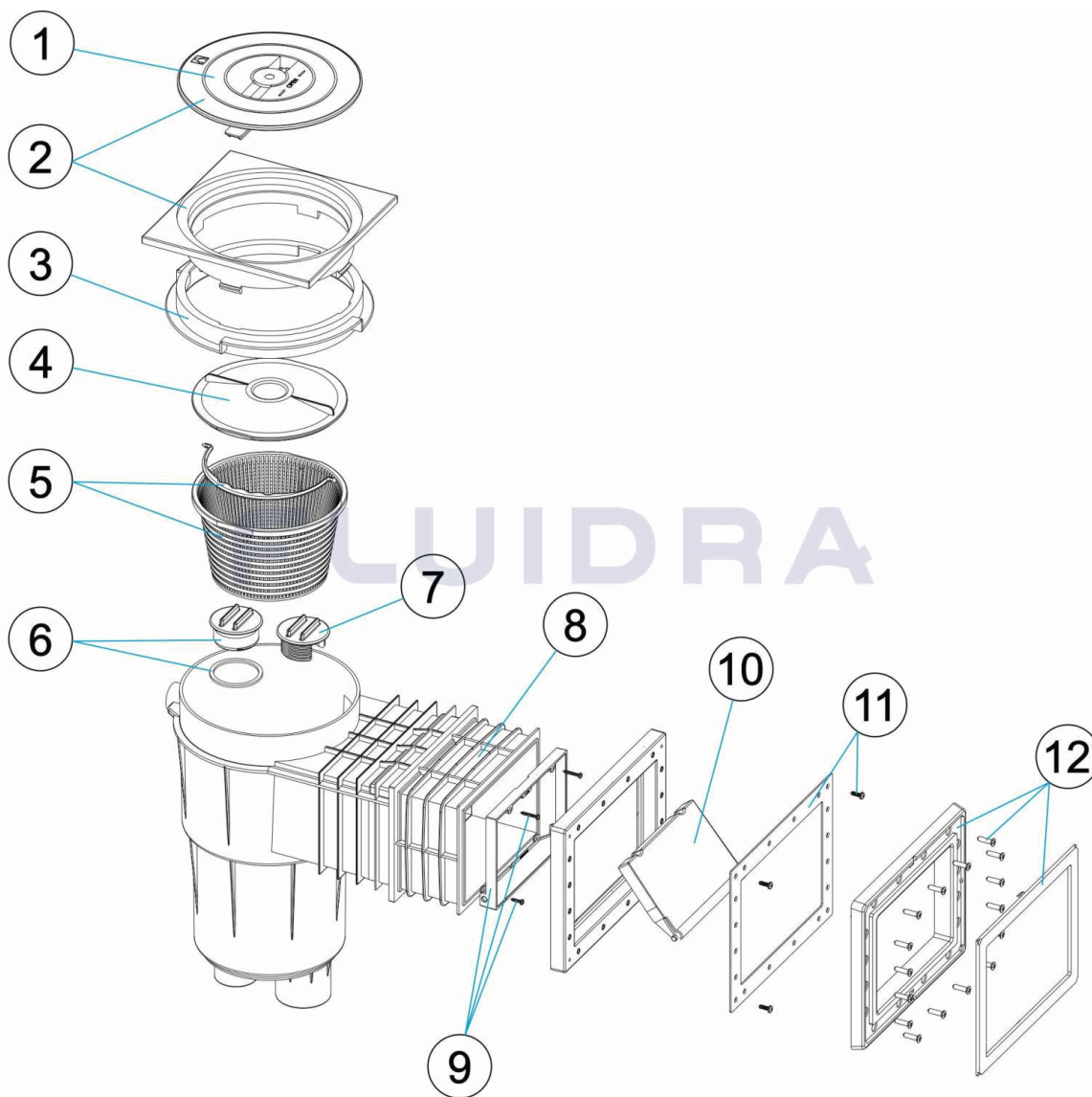
DESCRIPTION: **SKIMMER 17.5L PP. STANDARD MOUTH + EXTENSION + SQUARE COVER**

OBSERVATIONS

POS	CODE	OBSERVATIONS
1	4402010509	FOR: 11310 BLANCO / WHITE
1	4402010064	FOR: 11310CL090 BEIGE
1	4402010066	FOR: 11310CL129 GRIS / GREY
1	4402010041	FOR: 11310CL144 ANTRACITA / ANTHRACITE
2	4402010510	FOR: 11310 BLANCO / WHITE
2	4402010067	FOR: 11310CL090 BEIGE
2	4402010069	FOR: 11310CL129 GRIS / GREY
2	4402010040	FOR: 11310CL144 ANTRACITA / ANTHRACITE
3	4402010506	FOR: 11310 BLANCO / WHITE
3	4402010073	FOR: 11310CL090 BEIGE
3	4402010075	FOR: 11310CL129 GRIS / GREY
3	4402010039	FOR: 11310CL144 ANTRACITA / ANTHRACITE
8	4402010082	FOR: 11310 BLANCO / WHITE
8	4402010127	FOR: 11310CL090 BEIGE
8	4402010128	FOR: 11310CL129 GRIS / GREY
8	4402010129	FOR: 11310CL144 ANTRACITA / ANTHRACITE
9	4402010508	FOR: 11310 BLANCO / WHITE
9	4402010119	FOR: 11310CL090 BEIGE
9	4402010120	FOR: 11310CL129 GRIS / GREY
9	4402010042	FOR: 11310CL144 ANTRACITA / ANTHRACITE
10	4402010501	FOR: 11310 BLANCO / WHITE
10	4402010076	FOR: 11310CL090 BEIGE
10	4402010079	FOR: 11310CL129 GRIS / GREY
10	4402010080	FOR: 11310CL144 ANTRACITA / ANTHRACITE
12	4402010308	FOR: 11310 BLANCO / WHITE
12	4402010121	FOR: 11310CL090 BEIGE
12	4402010126	FOR: 11310CL129 GRIS / GREY
12	4402010088	FOR: 11310CL144 ANTRACITA / ANTHRACITE

CODICE 11310, 11310CL090, 11310CL129, 11310CL144

DESCRIZIONE: SKIMMER 17,5L B. STD. + ESTENSIONE + TAPPO QUADRATO



ITALIANO

POS	CODICE	DESCRIZIONE	POS	CODICE	DESCRIZIONE
1	* 4402010509	COPERCHIO SKIMMER	6	4402010503	TAPPO CON GUARNIZIONE
1	* 4402010064	COPERCHIO SKIMMER	7	4402010502	TAPPO DI REGOLAZIONE
1	* 4402010066	COPERCHIO SKIMMER	8	* 4402010082	BOCCA INTERMEDIA SKIMMER
1	* 4402010041	COPERCHIO SKIMMER	8	* 4402010127	BOCCA INTERMEDIA SKIMMER
2	* 4402010510	FLANGIA QUADRATA E COPERCHIO	8	* 4402010128	BOCCA INTERMEDIA SKIMMER
2	* 4402010067	FLANGIA QUADRATA E COPERCHIO	8	* 4402010129	BOCCA INTERMEDIA SKIMMER
2	* 4402010069	FLANGIA QUADRATA E COPERCHIO	9	* 4402010508	CORNICE BATTENTE SKIMMER
2	* 4402010040	FLANGIA QUADRATA E COPERCHIO	9	* 4402010119	CORNICE BATTENTE SKIMMER
3	* 4402010506	ANELLO DISTANZIATORE SKIMMER	9	* 4402010120	CORNICE BATTENTE SKIMMER
3	* 4402010073	ANELLO DISTANZIATORE SKIMMER	9	* 4402010042	CORNICE BATTENTE SKIMMER
3	* 4402010075	ANELLO DISTANZIATORE SKIMMER	10	* 4402010501	BATTENTE SKIMMER CON CLIP
3	* 4402010039	ANELLO DISTANZIATORE SKIMMER	10	* 4402010076	BATTENTE SKIMMER CON CLIP
4	4402010505	COPERCHIO CESTELLO SKIMMER	10	* 4402010079	BATTENTE SKIMMER CON CLIP

*** -> SI FACCIA RIFERIMENTO AL FOGLIO DELLE OSSERVAZIONI**

CODICE **11310, 11310CL090, 11310CL129, 11310CL144**

DESCRIZIONE: **SKIMMER 17,5L B. STD. + ESTENSIONE + TAPPO QUADRATO**

5	4402010504	CESTELLO SKIMMER DA 17,5 LITRI	10	* 4402010080	BATTENTE SKIMMER CON CLIP
11	4402014001	GUARNIZIONE PER SKIMMER BASE P.F.	12	* 4402010126	CORNICE PICCOLA SKIMMER
12	* 4402010308	CORNICE PICCOLA SKIMMER	12	* 4402010088	CORNICE PICCOLA SKIMMER
12	* 4402010121	CORNICE PICCOLA SKIMMER			

CODICE 11310, 11310CL090, 11310CL129, 11310CL144

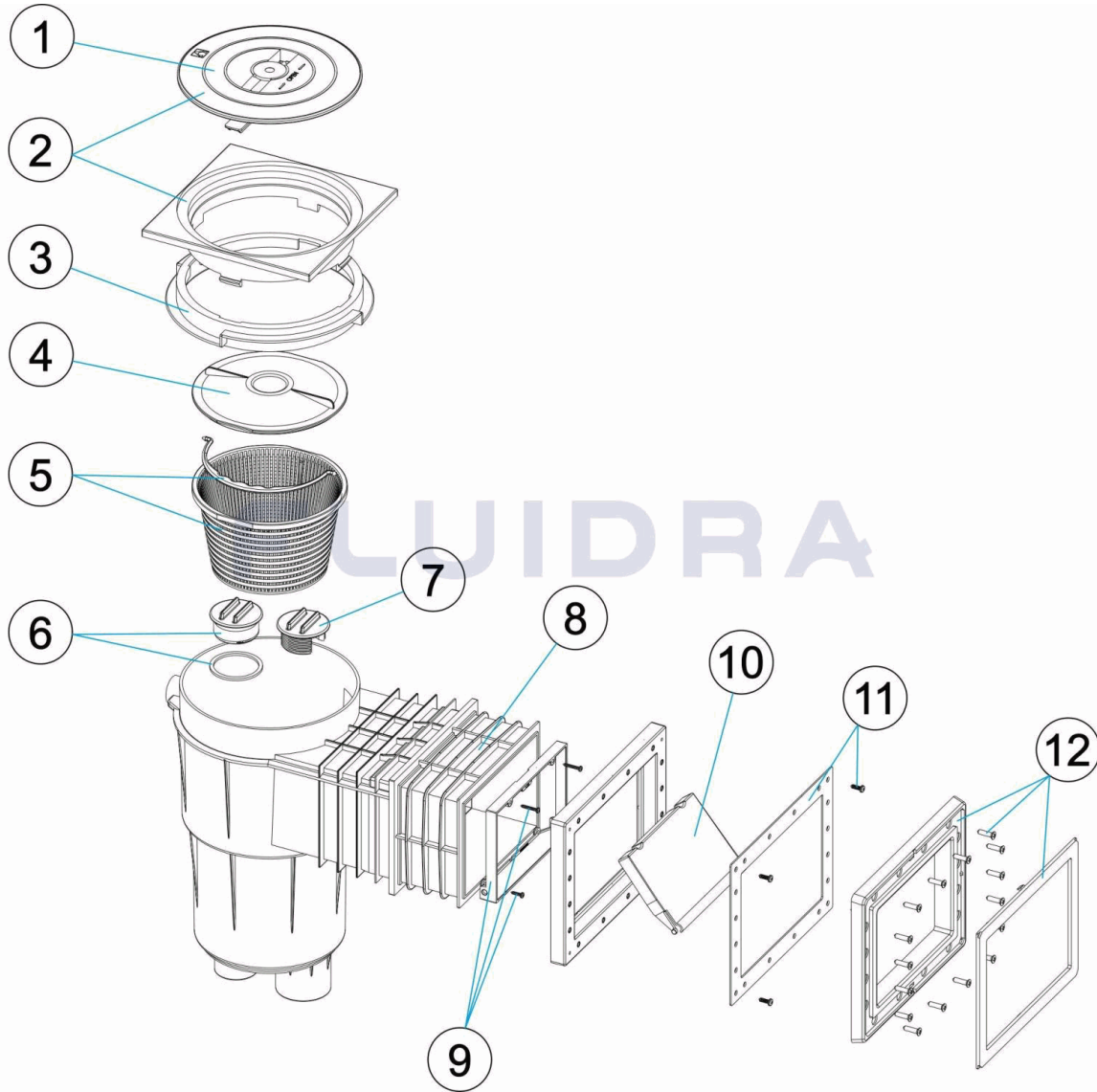
DESCRIZIONE: SKIMMER 17,5L B. STD. + ESTENSIONE + TAPPO QUADRATO

OSSERVAZIONI

POS	CODICE	OSSERVAZIONI
1	4402010509	PER: 11310 BLANCO / WHITE
1	4402010064	PER: 11310CL090 BEIGE
1	4402010066	PER: 11310CL129 GRIS / GREY
1	4402010041	PER: 11310CL144 ANTRACITA / ANTHRACITE
2	4402010510	PER: 11310 BLANCO / WHITE
2	4402010067	PER: 11310CL090 BEIGE
2	4402010069	PER: 11310CL129 GRIS / GREY
2	4402010040	PER: 11310CL144 ANTRACITA / ANTHRACITE
3	4402010506	PER: 11310 BLANCO / WHITE
3	4402010073	PER: 11310CL090 BEIGE
3	4402010075	PER: 11310CL129 GRIS / GREY
3	4402010039	PER: 11310CL144 ANTRACITA / ANTHRACITE
8	4402010082	PER: 11310 BLANCO / WHITE
8	4402010127	PER: 11310CL090 BEIGE
8	4402010128	PER: 11310CL129 GRIS / GREY
8	4402010129	PER: 11310CL144 ANTRACITA / ANTHRACITE
9	4402010508	PER: 11310 BLANCO / WHITE
9	4402010119	PER: 11310CL090 BEIGE
9	4402010120	PER: 11310CL129 GRIS / GREY
9	4402010042	PER: 11310CL144 ANTRACITA / ANTHRACITE
10	4402010501	PER: 11310 BLANCO / WHITE
10	4402010076	PER: 11310CL090 BEIGE
10	4402010079	PER: 11310CL129 GRIS / GREY
10	4402010080	PER: 11310CL144 ANTRACITA / ANTHRACITE
12	4402010308	PER: 11310 BLANCO / WHITE
12	4402010121	PER: 11310CL090 BEIGE
12	4402010126	PER: 11310CL129 GRIS / GREY
12	4402010088	PER: 11310CL144 ANTRACITA / ANTHRACITE

CODE 11310, 11310CL090, 11310CL129, 11310CL144

BESCHREIBUNG: SKIMMER 17,5L EINLASS STANDARD VERLÄNGERUNG ABDECKUNG QUADR



DEUTSCH

POS	CODE	BESCHREIBUNG	POS	CODE	BESCHREIBUNG
1	* 4402010509	SKIMMERDECKEL	6	4402010503	STOPFEN UND DICHTUNG
1	* 4402010064	SKIMMERDECKEL	7	4402010502	STOPFEN REGULIERUNG
1	* 4402010066	SKIMMERDECKEL	8	* 4402010082	EINLASS MITTIG SKIMMER
1	* 4402010041	SKIMMERDECKEL	8	* 4402010127	EINLASS MITTIG SKIMMER
2	* 4402010510	QUADRATISCHER RAHMEN UND ABDECKUNG	8	* 4402010128	EINLASS MITTIG SKIMMER
2	* 4402010067	QUADRATISCHER RAHMEN UND ABDECKUNG	8	* 4402010129	EINLASS MITTIG SKIMMER
2	* 4402010069	QUADRATISCHER RAHMEN UND ABDECKUNG	9	* 4402010508	RAHMEN SKIMMERKLAPPE
2	* 4402010040	QUADRATISCHER RAHMEN UND ABDECKUNG	9	* 4402010119	RAHMEN SKIMMERKLAPPE
3	* 4402010506	DISTANZRING SKIMMER	9	* 4402010120	RAHMEN SKIMMERKLAPPE
3	* 4402010073	DISTANZRING SKIMMER	9	* 4402010042	RAHMEN SKIMMERKLAPPE
3	* 4402010075	DISTANZRING SKIMMER	10	* 4402010501	SKIMMERKLAPPE MIT CLIP
3	* 4402010039	DISTANZRING 17,5 L	10	* 4402010076	SKIMMERKLAPPE MIT CLIP
4	4402010505	ABDECKUNG SKIMMKORB	10	* 4402010079	SKIMMERKLAPPE MIT CLIP

* -> SIEHE ANMERKUNGSBLATT

CODE **11310, 11310CL090, 11310CL129, 11310CL144**

BESCHREIBUNG: **SKIMMER 17,5L EINLASS STANDARD VERLÄNGERUNG ABDECKUNG QUADR**

5	4402010504	SKIMMERKORB 17,5 L	10	* 4402010080	SKIMMERKLAPPE MIT CLIP
11	4402014001	DICHTUNG SKIMMER KLEIN FERTIGBECKEN	12	* 4402010126	KLEINER SKIMMERRAHMEN
12	* 4402010308	KLEINER SKIMMERRAHMEN	12	* 4402010088	KLEINER SKIMMERRAHMEN
12	* 4402010121	KLEINER SKIMMERRAHMEN			

CODE **11310, 11310CL090, 11310CL129, 11310CL144**

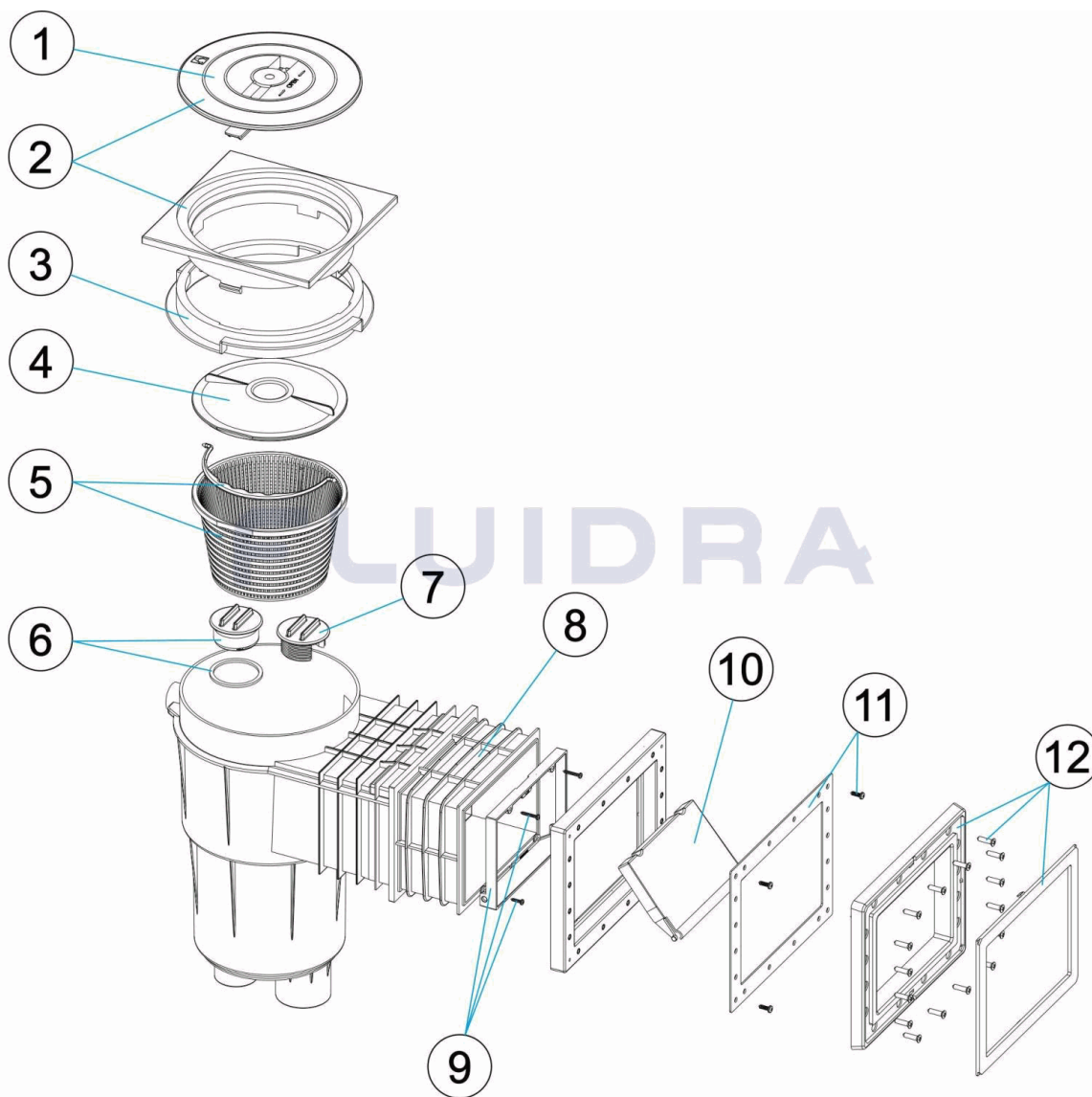
BESCHREIBUNG: **SKIMMER 17,5L EINLASS STANDARD VERLÄNGERUNG ABDECKUNG QUADR**

HINWEISE

POS	CODE	HINWEISE
1	4402010509	FÜR: 11310 BLANCO / WHITE
1	4402010064	FÜR: 11310CL090 BEIGE
1	4402010066	FÜR: 11310CL129 GRIS / GREY
1	4402010041	FÜR: 11310CL144 ANTRACITA / ANTHRACITE
2	4402010510	FÜR: 11310 BLANCO / WHITE
2	4402010067	FÜR: 11310CL090 BEIGE
2	4402010069	FÜR: 11310CL129 GRIS / GREY
2	4402010040	FÜR: 11310CL144 ANTRACITA / ANTHRACITE
3	4402010506	FÜR: 11310 BLANCO / WHITE
3	4402010073	FÜR: 11310CL090 BEIGE
3	4402010075	FÜR: 11310CL129 GRIS / GREY
3	4402010039	FÜR: 11310CL144 ANTRACITA / ANTHRACITE
8	4402010082	FÜR: 11310 BLANCO / WHITE
8	4402010127	FÜR: 11310CL090 BEIGE
8	4402010128	FÜR: 11310CL129 GRIS / GREY
8	4402010129	FÜR: 11310CL144 ANTRACITA / ANTHRACITE
9	4402010508	FÜR: 11310 BLANCO / WHITE
9	4402010119	FÜR: 11310CL090 BEIGE
9	4402010120	FÜR: 11310CL129 GRIS / GREY
9	4402010042	FÜR: 11310CL144 ANTRACITA / ANTHRACITE
10	4402010501	FÜR: 11310 BLANCO / WHITE
10	4402010076	FÜR: 11310CL090 BEIGE
10	4402010079	FÜR: 11310CL129 GRIS / GREY
10	4402010080	FÜR: 11310CL144 ANTRACITA / ANTHRACITE
12	4402010308	FÜR: 11310 BLANCO / WHITE
12	4402010121	FÜR: 11310CL090 BEIGE
12	4402010126	FÜR: 11310CL129 GRIS / GREY
12	4402010088	FÜR: 11310CL144 ANTRACITA / ANTHRACITE

CODIGO 11310, 11310CL090, 11310CL129, 11310CL144

DESCRIÇÃO: SKIMMER 17,5 L B. STAND. + EXTENSÃO + T. QUADR.



PORTUGUES

POS	CODIGO	DESCRIÇÃO	POS	CODIGO	DESCRIÇÃO
1	* 4402010509	TAMPA SKIMMER	6	4402010503	TAMPA COM JUNTA
1	* 4402010064	TAMPA SKIMMER	7	4402010502	TAMPA REGULADORA
1	* 4402010066	TAMPA SKIMMER	8	* 4402010082	BOCA INTERMÉDIA DE SKIMMER
1	* 4402010041	TAMPA SKIMMER	8	* 4402010127	BOCA INTERMÉDIA DE SKIMMER
2	* 4402010510	ARO QUADRADO E TAMPA	8	* 4402010128	BOCA INTERMÉDIA DE SKIMMER
2	* 4402010067	ARO QUADRADO E TAMPA	8	* 4402010129	BOCA INTERMÉDIA DE SKIMMER
2	* 4402010069	ARO QUADRADO E TAMPA	9	* 4402010508	CAIXILHO COMPORTA SKIMMER
2	* 4402010040	ARO QUADRADO E TAMPA	9	* 4402010119	CAIXILHO COMPORTA SKIMMER
3	* 4402010506	ANEL DISTANCIADOR SKIMMER	9	* 4402010120	CAIXILHO COMPORTA SKIMMER
3	* 4402010073	ANEL DISTANCIADOR SKIMMER	9	* 4402010042	CAIXILHO COMPORTA SKIMMER
3	* 4402010075	ANEL DISTANCIADOR SKIMMER	10	* 4402010501	COMPORTA SKIMMER CLIP
3	* 4402010039	ANEL DISTANCIADOR SKIMMER	10	* 4402010076	COMPORTA SKIMMER CLIP
4	4402010505	TAMPA CESTO SKIMMER	10	* 4402010079	COMPORTA SKIMMER CLIP

* -> VEJA A FICHA DE OBSERVAÇÕES

CODIGO 11310, 11310CL090, 11310CL129, 11310CL144

DESCRIÇÃO: SKIMMER 17,5 L B. STAND. + EXTENSÃO + T. QUADR.

5	4402010504	CESTO SKIMMER 17,5 LTS	10	* 4402010080	COMPORTA SKIMMER CLIP
11	4402014001	JUNTA PEQUENA DE SKIMMER	12	* 4402010126	ARO PEQUENO SKIMMER
12	* 4402010308	ARO PEQUENO SKIMMER	12	* 4402010088	ARO PEQUENO SKIMMER
12	* 4402010121	ARO PEQUENO SKIMMER			

CODIGO 11310, 11310CL090, 11310CL129, 11310CL144

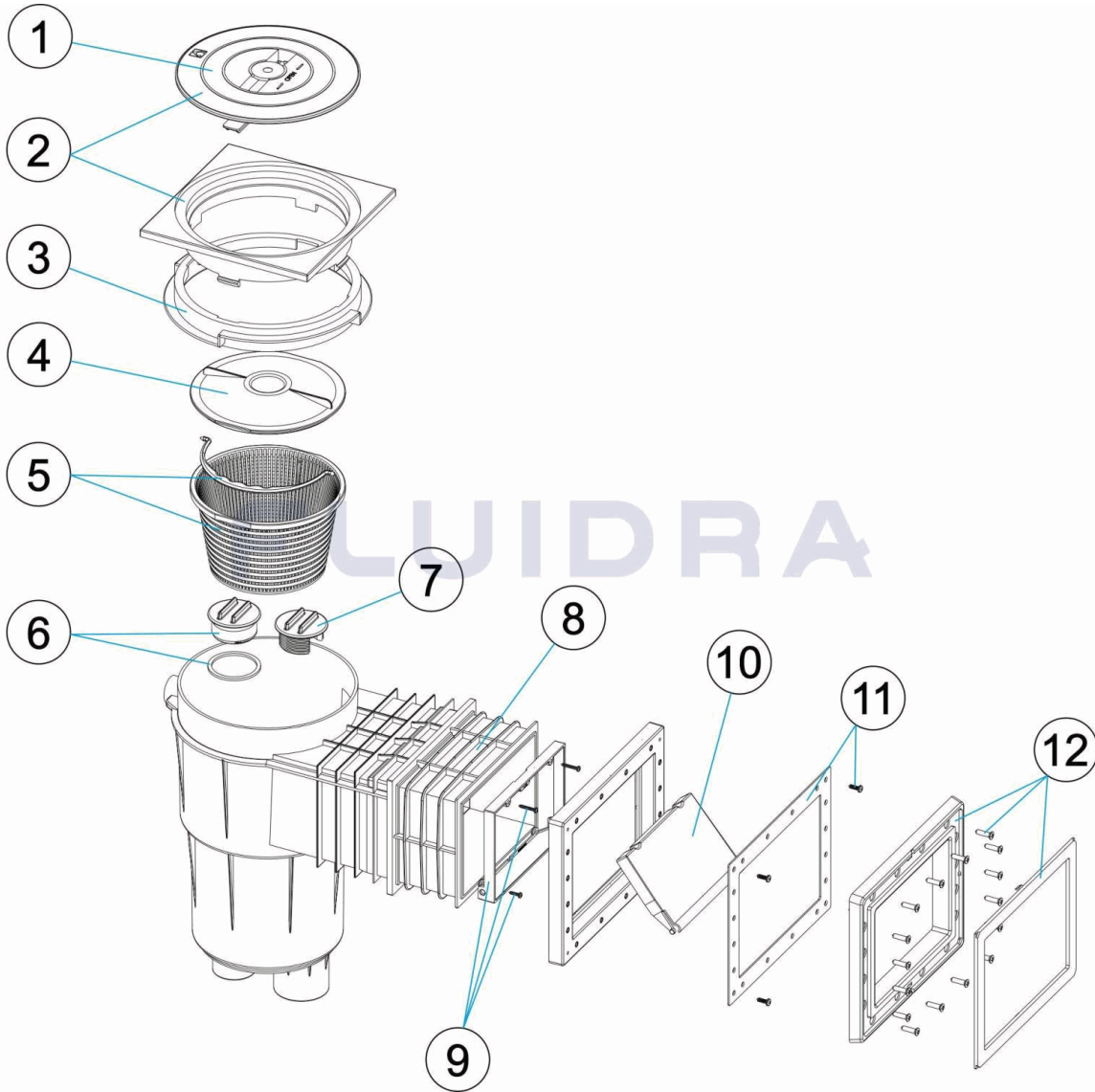
DESCRIÇÃO: SKIMMER 17,5 L B. STAND. + EXTENSÃO + T. QUADR.

OBSERVAÇÕES

POS	CODIGO	OBSERVAÇÕES
1	4402010509	PARA: 11310 BLANCO / WHITE
1	4402010064	PARA: 11310CL090 BEIGE
1	4402010066	PARA: 11310CL129 GRIS / GREY
1	4402010041	PARA: 11310CL144 ANTRACITA / ANTHRACITE
2	4402010510	PARA: 11310 BLANCO / WHITE
2	4402010067	PARA: 11310CL090 BEIGE
2	4402010069	PARA: 11310CL129 GRIS / GREY
2	4402010040	PARA: 11310CL144 ANTRACITA / ANTHRACITE
3	4402010506	PARA: 11310 BLANCO / WHITE
3	4402010073	PARA: 11310CL090 BEIGE
3	4402010075	PARA: 11310CL129 GRIS / GREY
3	4402010039	PARA: 11310CL144 ANTRACITA / ANTHRACITE
8	4402010082	PARA: 11310 BLANCO / WHITE
8	4402010127	PARA: 11310CL090 BEIGE
8	4402010128	PARA: 11310CL129 GRIS / GREY
8	4402010129	PARA: 11310CL144 ANTRACITA / ANTHRACITE
9	4402010508	PARA: 11310 BLANCO / WHITE
9	4402010119	PARA: 11310CL090 BEIGE
9	4402010120	PARA: 11310CL129 GRIS / GREY
9	4402010042	PARA: 11310CL144 ANTRACITA / ANTHRACITE
10	4402010501	PARA: 11310 BLANCO / WHITE
10	4402010076	PARA: 11310CL090 BEIGE
10	4402010079	PARA: 11310CL129 GRIS / GREY
10	4402010080	PARA: 11310CL144 ANTRACITA / ANTHRACITE
12	4402010308	PARA: 11310 BLANCO / WHITE
12	4402010121	PARA: 11310CL090 BEIGE
12	4402010126	PARA: 11310CL129 GRIS / GREY
12	4402010088	PARA: 11310CL144 ANTRACITA / ANTHRACITE

CODIGO 11310, 11310CL090, 11310CL129, 11310CL144

DESCRIPCION: SKIMMER 17,5L B.STAND. +ALARGO+T. CUADR.



ESPAÑOL

POS	CODIGO	DESCRIPCION	POS	CODIGO	DESCRIPCION
1	* 4402010509	TAPA SKIMMER	6	4402010503	TAPON CON JUNTA
1	* 4402010064	TAPA SKIMMER	7	4402010502	TAPON REGULADOR
1	* 4402010066	TAPA SKIMMER	8	* 4402010082	BOCA INTERMEDIA SKIMMER
1	* 4402010041	TAPA SKIMMER	8	* 4402010127	BOCA INTERMEDIA SKIMMER
2	* 4402010510	MARCO CUADRADO Y TAPA	8	* 4402010128	BOCA INTERMEDIA SKIMMER
2	* 4402010067	MARCO CUADRADO Y TAPA	8	* 4402010129	BOCA INTERMEDIA SKIMMER
2	* 4402010069	MARCO CUADRADO Y TAPA	9	* 4402010508	MARCO COMPUERTA SKIMMER
2	* 4402010040	MARCO CUADRADO Y TAPA	9	* 4402010119	MARCO COMPUERTA SKIMMER
3	* 4402010506	ANILLO DISTANCIADOR SKIMMER	9	* 4402010120	MARCO COMPUERTA SKIMMER
3	* 4402010073	ANILLO DISTANCIADOR SKIMMER	9	* 4402010042	MARCO COMPUERTA SKIMMER
3	* 4402010075	ANILLO DISTANCIADOR SKIMMER	10	* 4402010501	COMPUERTA SKIMMER CON CLIP
3	* 4402010039	ANILLO DISTANCIADOR 17,5L	10	* 4402010076	COMPUERTA SKIMMER CON CLIP
4	4402010505	TAPA CESTO SKIMMER	10	* 4402010079	COMPUERTA SKIMMER CON CLIP

* -> VER HOJA DE OBSERVACIONES

CODIGO **11310, 11310CL090, 11310CL129, 11310CL144**

DESCRIPCION: **SKIMMER 17,5L B.STAND. +ALARGO+T. CUADR.**

5	4402010504	CESTO SKIMMER 17,5 LTS.	10	* 4402010080	COMPUERTA SKIMMER CON CLIP
11	4402014001	JUNTA SKIMMER PEQUEÑA PISC. PREF.	12	* 4402010126	MARCO PEQUEÑO SKIMMER
12	* 4402010308	MARCO PEQUEÑO SKIMMER	12	* 4402010088	MARCO PEQUEÑO SKIMMER
12	* 4402010121	MARCO PEQUEÑO SKIMMER			

CODIGO 11310, 11310CL090, 11310CL129, 11310CL144

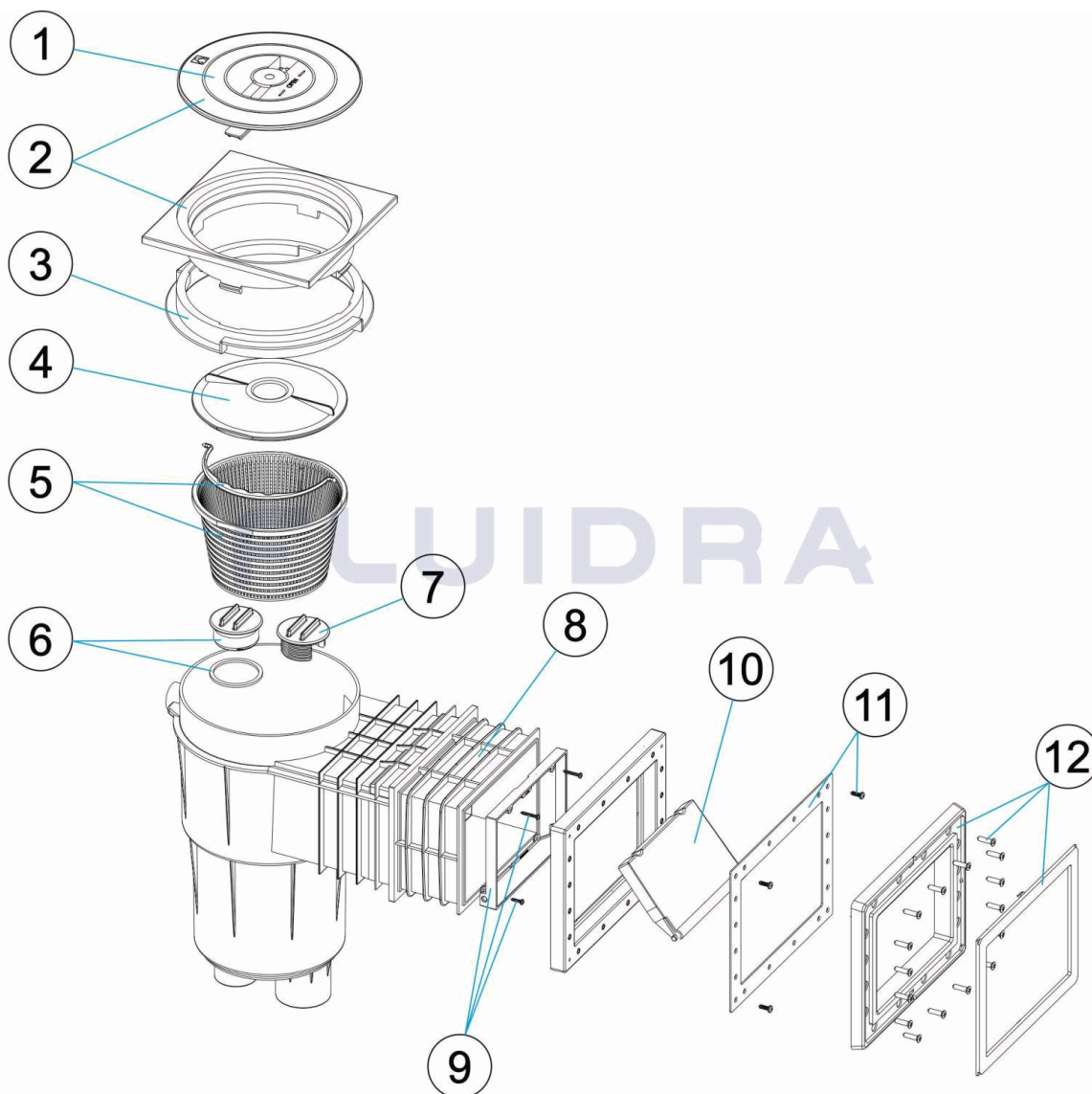
DESCRIPCION: SKIMMER 17,5L B.STAND. +ALARGO+T. CUADR.

OBSERVACIONES

POS	CODIGO	OBSERVACIONES
1	4402010509	PARA: 11310 BLANCO / WHITE
1	4402010064	PARA: 11310CL090 BEIGE
1	4402010066	PARA: 11310CL129 GRIS / GREY
1	4402010041	PARA: 11310CL144 ANTRACITA / ANTHRACITE
2	4402010510	PARA: 11310 BLANCO / WHITE
2	4402010067	PARA: 11310CL090 BEIGE
2	4402010069	PARA: 11310CL129 GRIS / GREY
2	4402010040	PARA: 11310CL144 ANTRACITA / ANTHRACITE
3	4402010506	PARA: 11310 BLANCO / WHITE
3	4402010073	PARA: 11310CL090 BEIGE
3	4402010075	PARA: 11310CL129 GRIS / GREY
3	4402010039	PARA: 11310CL144 ANTRACITA / ANTHRACITE
8	4402010082	PARA: 11310 BLANCO / WHITE
8	4402010127	PARA: 11310CL090 BEIGE
8	4402010128	PARA: 11310CL129 GRIS / GREY
8	4402010129	PARA: 11310CL144 ANTRACITA / ANTHRACITE
9	4402010508	PARA: 11310 BLANCO / WHITE
9	4402010119	PARA: 11310CL090 BEIGE
9	4402010120	PARA: 11310CL129 GRIS / GREY
9	4402010042	PARA: 11310CL144 ANTRACITA / ANTHRACITE
10	4402010501	PARA: 11310 BLANCO / WHITE
10	4402010076	PARA: 11310CL090 BEIGE
10	4402010079	PARA: 11310CL129 GRIS / GREY
10	4402010080	PARA: 11310CL144 ANTRACITA / ANTHRACITE
12	4402010308	PARA: 11310 BLANCO / WHITE
12	4402010121	PARA: 11310CL090 BEIGE
12	4402010126	PARA: 11310CL129 GRIS / GREY
12	4402010088	PARA: 11310CL144 ANTRACITA / ANTHRACITE

CODE 11310, 11310CL090, 11310CL129, 11310CL144

DESCRIPTION: SKIMMER 17,5L O.STAND. +RALLONGE+C. CARRÉ.



FRANCAIS

POS	CODE	DESCRIPTION	POS	CODE	DESCRIPTION
1	* 4402010509	COUVERCLE ROND DE SKIMMER	6	4402010503	BOUCHON SKIMMER AVEC JOINT
1	* 4402010064	COUVERCLE ROND DE SKIMMER	7	4402010502	BOUCHON REGULATEUR
1	* 4402010066	COUVERCLE ROND DE SKIMMER	8	* 4402010082	BOUCHE INTERMEDIAIRE RALLONGE SKIMMER
1	* 4402010041	COUVERCLE ROND DE SKIMMER	8	* 4402010127	BOUCHE INTERMEDIAIRE RALLONGE SKIMMER
2	* 4402010510	CADRE ET COUVERCLE ROND	8	* 4402010128	BOUCHE INTERMEDIAIRE RALLONGE SKIMMER
2	* 4402010067	CADRE ET COUVERCLE ROND	8	* 4402010129	BOUCHE INTERMEDIAIRE RALLONGE SKIMMER
2	* 4402010069	CADRE ET COUVERCLE ROND	9	* 4402010508	CADRE VOLET SKIMMER
2	* 4402010040	CADRE ET COUVERCLE ROND	9	* 4402010119	CADRE VOLET SKIMMER
3	* 4402010506	CADRE REHAUSSE COUVERCLE	9	* 4402010120	CADRE VOLET SKIMMER
3	* 4402010073	CADRE REHAUSSE COUVERCLE	9	* 4402010042	CADRE VOLET SKIMMER
3	* 4402010075	CADRE REHAUSSE COUVERCLE	10	* 4402010501	VOLET DE SKIMMER
3	* 4402010039	CADRE REHAUSSE COUVERCLE	10	* 4402010076	VOLET DE SKIMMER
4	4402010505	COUVERCLE PANIER SKIMMER	10	* 4402010079	VOLET DE SKIMMER

* -> VOIR FICHE D'OBSERVATIONS

CODE **11310, 11310CL090, 11310CL129, 11310CL144**DESCRIPTION: **SKIMMER 17,5L O.STAND. +RALLONGE+C. CARRÉ.**

5	4402010504	PANIER SKIMMER 17,5 LTS	10	* 4402010080	VOLET DE SKIMMER
11	4402014001	JOINT SKIM PETIT MODELE PISCINE LINER	12	* 4402010126	BRIDE ET CACHE VIS KIT LINER
12	* 4402010308	BRIDE ET CACHE VIS KIT LINER	12	* 4402010088	BRIDE ET CACHE VIS KIT LINER
12	* 4402010121	BRIDE ET CACHE VIS KIT LINER			

CODE **11310, 11310CL090, 11310CL129, 11310CL144**

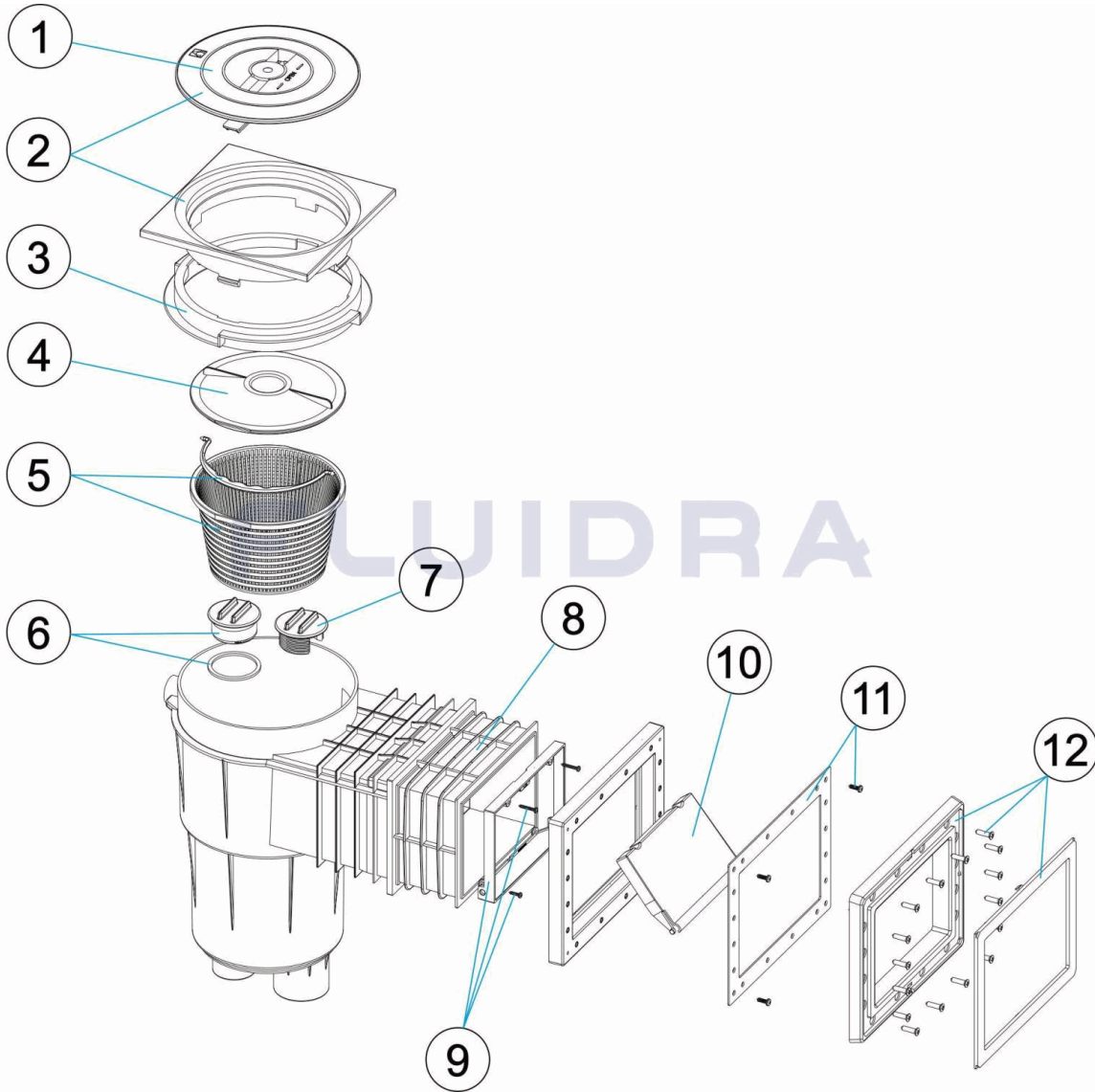
DESCRIPTION: **SKIMMER 17,5L O.STAND. +RALLONGE+C. CARRÉ.**

OBSERVATIONS

POS	CODE	OBSERVATIONS
1	4402010509	POUR: 11310 BLANCO / WHITE
1	4402010064	POUR: 11310CL090 BEIGE
1	4402010066	POUR: 11310CL129 GRIS / GREY
1	4402010041	POUR: 11310CL144 ANTRACITA / ANTHRACITE
2	4402010510	POUR: 11310 BLANCO / WHITE
2	4402010067	POUR: 11310CL090 BEIGE
2	4402010069	POUR: 11310CL129 GRIS / GREY
2	4402010040	POUR: 11310CL144 ANTRACITA / ANTHRACITE
3	4402010506	POUR: 11310 BLANCO / WHITE
3	4402010073	POUR: 11310CL090 BEIGE
3	4402010075	POUR: 11310CL129 GRIS / GREY
3	4402010039	POUR: 11310CL144 ANTRACITA / ANTHRACITE
8	4402010082	POUR: 11310 BLANCO / WHITE
8	4402010127	POUR: 11310CL090 BEIGE
8	4402010128	POUR: 11310CL129 GRIS / GREY
8	4402010129	POUR: 11310CL144 ANTRACITA / ANTHRACITE
9	4402010508	POUR: 11310 BLANCO / WHITE
9	4402010119	POUR: 11310CL090 BEIGE
9	4402010120	POUR: 11310CL129 GRIS / GREY
9	4402010042	POUR: 11310CL144 ANTRACITA / ANTHRACITE
10	4402010501	POUR: 11310 BLANCO / WHITE
10	4402010076	POUR: 11310CL090 BEIGE
10	4402010079	POUR: 11310CL129 GRIS / GREY
10	4402010080	POUR: 11310CL144 ANTRACITA / ANTHRACITE
12	4402010308	POUR: 11310 BLANCO / WHITE
12	4402010121	POUR: 11310CL090 BEIGE
12	4402010126	POUR: 11310CL129 GRIS / GREY
12	4402010088	POUR: 11310CL144 ANTRACITA / ANTHRACITE

CODE 11310, 11310CL090, 11310CL129, 11310CL144

DESCRIPTION: SKIMMER 17.5L PP. STANDARD MOUTH + EXTENSION + SQUARE COVER



ENGLISH

POS	CODE	DESCRIPTION	POS	CODE	DESCRIPTION
1	* 4402010509	SKIMMER LID	6	4402010503	BLANKING PLUG AND 'O' RING
1	* 4402010064	SKIMMER LID	7	4402010502	REGULATING PLUG
1	* 4402010066	SKIMMER LID	8	* 4402010082	SKIMMER THROAT
1	* 4402010041	SKIMMER LID	8	* 4402010127	SKIMMER THROAT
2	* 4402010510	SQUARE RIM AND LID	8	* 4402010128	SKIMMER THROAT
2	* 4402010067	SQUARE RIM AND LID	8	* 4402010129	SKIMMER THROAT
2	* 4402010069	SQUARE RIM AND LID	9	* 4402010508	FLAP FRAME
2	* 4402010040	SQUARE RIM AND LID	9	* 4402010119	FLAP FRAME
3	* 4402010506	COLLAR EXTENSION RING	9	* 4402010120	FLAP FRAME
3	* 4402010073	COLLAR EXTENSION RING	9	* 4402010042	FLAP FRAME
3	* 4402010075	COLLAR EXTENSION RING	10	* 4402010501	SKIMMER FLAP
3	* 4402010039	COLLAR EXTENSION RING	10	* 4402010076	SKIMMER FLAP
4	4402010505	VACUUM PLATE	10	* 4402010079	SKIMMER FLAP

* -> SEE OBSERVATIONS SHEET

CODE **11310, 11310CL090, 11310CL129, 11310CL144**

DESCRIPTION: **SKIMMER 17.5L PP. STANDARD MOUTH + EXTENSION + SQUARE COVER**

5	4402010504	BASKET 17,5 LITRES	10	* 4402010080	SKIMMER FLAP
11	4402014001	SMALL SKIMMER GASKETS FOR LINER POOL	12	* 4402010126	SMALL SKIMMER FRAME
12	* 4402010308	SMALL SKIMMER FRAME	12	* 4402010088	SMALL SKIMMER FRAME
12	* 4402010121	SMALL SKIMMER FRAME			

CODE **11310, 11310CL090, 11310CL129, 11310CL144**

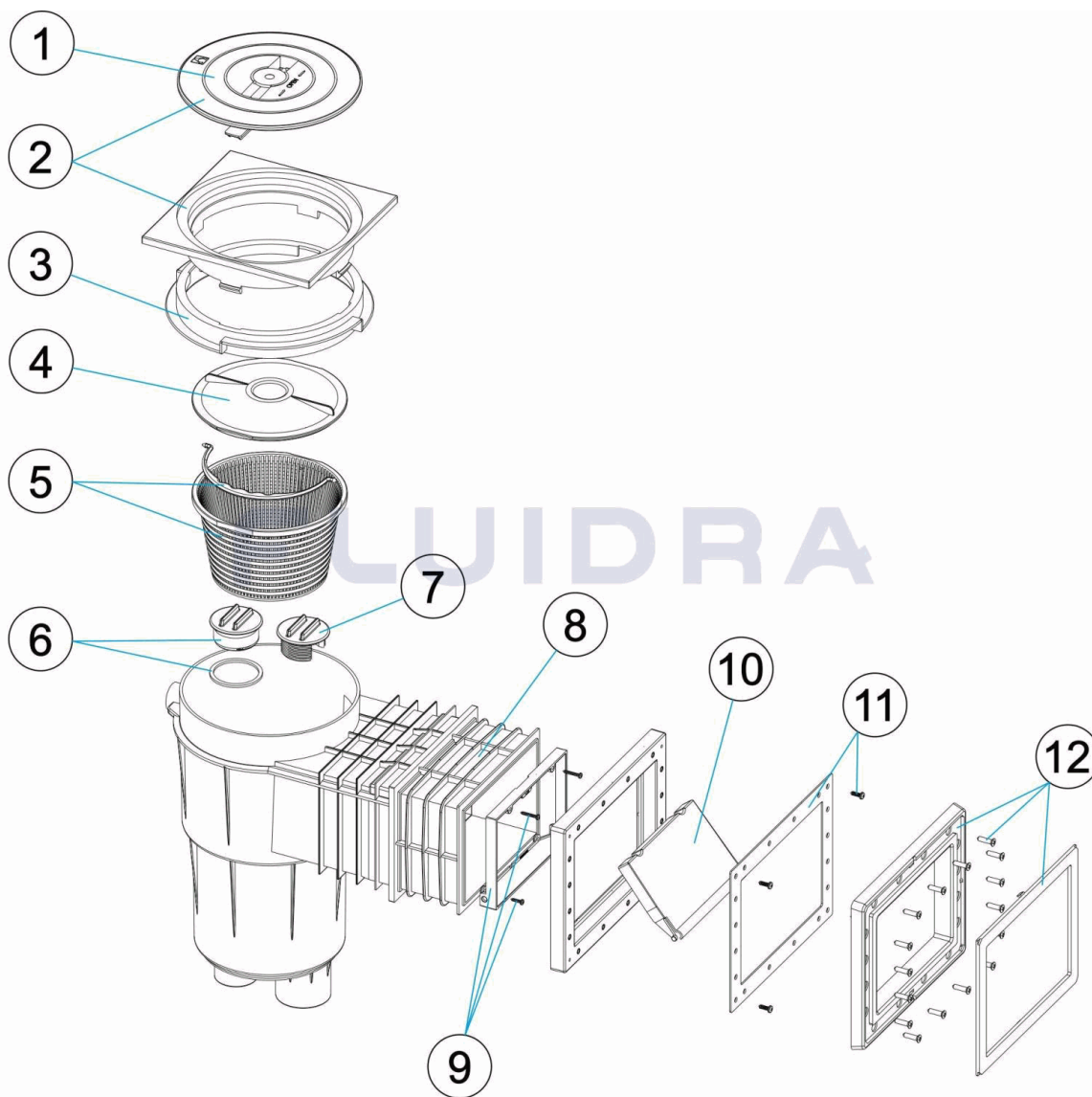
DESCRIPTION: **SKIMMER 17.5L PP. STANDARD MOUTH + EXTENSION + SQUARE COVER**

OBSERVATIONS

POS	CODE	OBSERVATIONS
1	4402010509	FOR: 11310 BLANCO / WHITE
1	4402010064	FOR: 11310CL090 BEIGE
1	4402010066	FOR: 11310CL129 GRIS / GREY
1	4402010041	FOR: 11310CL144 ANTRACITA / ANTHRACITE
2	4402010510	FOR: 11310 BLANCO / WHITE
2	4402010067	FOR: 11310CL090 BEIGE
2	4402010069	FOR: 11310CL129 GRIS / GREY
2	4402010040	FOR: 11310CL144 ANTRACITA / ANTHRACITE
3	4402010506	FOR: 11310 BLANCO / WHITE
3	4402010073	FOR: 11310CL090 BEIGE
3	4402010075	FOR: 11310CL129 GRIS / GREY
3	4402010039	FOR: 11310CL144 ANTRACITA / ANTHRACITE
8	4402010082	FOR: 11310 BLANCO / WHITE
8	4402010127	FOR: 11310CL090 BEIGE
8	4402010128	FOR: 11310CL129 GRIS / GREY
8	4402010129	FOR: 11310CL144 ANTRACITA / ANTHRACITE
9	4402010508	FOR: 11310 BLANCO / WHITE
9	4402010119	FOR: 11310CL090 BEIGE
9	4402010120	FOR: 11310CL129 GRIS / GREY
9	4402010042	FOR: 11310CL144 ANTRACITA / ANTHRACITE
10	4402010501	FOR: 11310 BLANCO / WHITE
10	4402010076	FOR: 11310CL090 BEIGE
10	4402010079	FOR: 11310CL129 GRIS / GREY
10	4402010080	FOR: 11310CL144 ANTRACITA / ANTHRACITE
12	4402010308	FOR: 11310 BLANCO / WHITE
12	4402010121	FOR: 11310CL090 BEIGE
12	4402010126	FOR: 11310CL129 GRIS / GREY
12	4402010088	FOR: 11310CL144 ANTRACITA / ANTHRACITE

CODICE 11310, 11310CL090, 11310CL129, 11310CL144

DESCRIZIONE: SKIMMER 17,5L B. STD. + ESTENSIONE + TAPPO QUADRATO



ITALIANO

POS	CODICE	DESCRIZIONE	POS	CODICE	DESCRIZIONE
1	* 4402010509	COPERCHIO SKIMMER	6	4402010503	TAPPO CON GUARNIZIONE
1	* 4402010064	COPERCHIO SKIMMER	7	4402010502	TAPPO DI REGOLAZIONE
1	* 4402010066	COPERCHIO SKIMMER	8	* 4402010082	BOCCA INTERMEDIA SKIMMER
1	* 4402010041	COPERCHIO SKIMMER	8	* 4402010127	BOCCA INTERMEDIA SKIMMER
2	* 4402010510	FLANGIA QUADRATA E COPERCHIO	8	* 4402010128	BOCCA INTERMEDIA SKIMMER
2	* 4402010067	FLANGIA QUADRATA E COPERCHIO	8	* 4402010129	BOCCA INTERMEDIA SKIMMER
2	* 4402010069	FLANGIA QUADRATA E COPERCHIO	9	* 4402010508	CORNICE BATTENTE SKIMMER
2	* 4402010040	FLANGIA QUADRATA E COPERCHIO	9	* 4402010119	CORNICE BATTENTE SKIMMER
3	* 4402010506	ANELLO DISTANZIATORE SKIMMER	9	* 4402010120	CORNICE BATTENTE SKIMMER
3	* 4402010073	ANELLO DISTANZIATORE SKIMMER	9	* 4402010042	CORNICE BATTENTE SKIMMER
3	* 4402010075	ANELLO DISTANZIATORE SKIMMER	10	* 4402010501	BATTENTE SKIMMER CON CLIP
3	* 4402010039	ANELLO DISTANZIATORE SKIMMER	10	* 4402010076	BATTENTE SKIMMER CON CLIP
4	4402010505	COPERCHIO CESTELLO SKIMMER	10	* 4402010079	BATTENTE SKIMMER CON CLIP

*** -> SI FACCIA RIFERIMENTO AL FOGLIO DELLE OSSERVAZIONI**

CODICE **11310, 11310CL090, 11310CL129, 11310CL144**

DESCRIZIONE: **SKIMMER 17,5L B. STD. + ESTENSIONE + TAPPO QUADRATO**

5	4402010504	CESTELLO SKIMMER DA 17,5 LITRI	10	* 4402010080	BATTENTE SKIMMER CON CLIP
11	4402014001	GUARNIZIONE PER SKIMMER BASE P.F.	12	* 4402010126	CORNICE PICCOLA SKIMMER
12	* 4402010308	CORNICE PICCOLA SKIMMER	12	* 4402010088	CORNICE PICCOLA SKIMMER
12	* 4402010121	CORNICE PICCOLA SKIMMER			

CODICE 11310, 11310CL090, 11310CL129, 11310CL144

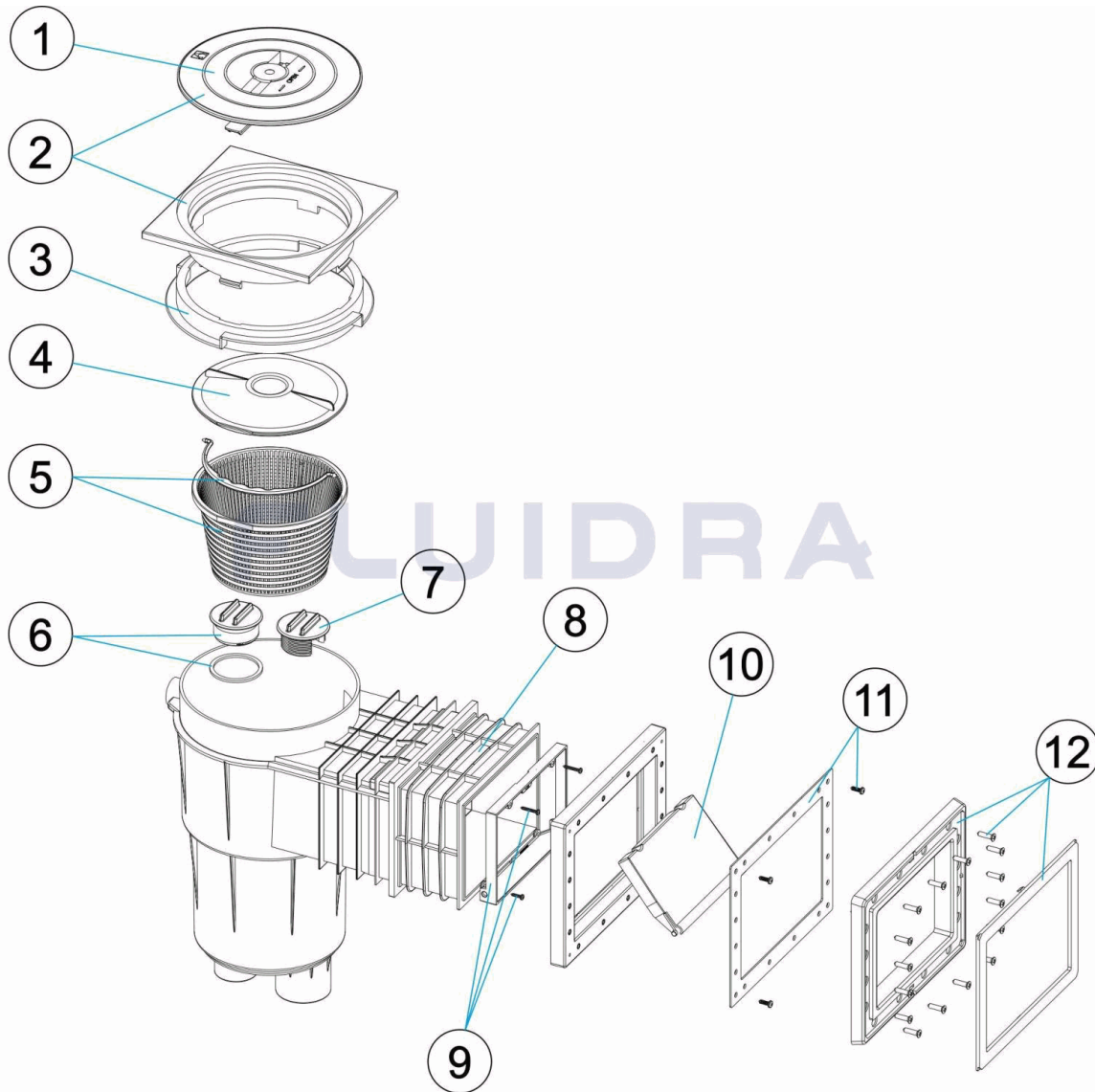
DESCRIZIONE: SKIMMER 17,5L B. STD. + ESTENSIONE + TAPPO QUADRATO

OSSERVAZIONI

POS	CODICE	OSSERVAZIONI
1	4402010509	PER: 11310 BLANCO / WHITE
1	4402010064	PER: 11310CL090 BEIGE
1	4402010066	PER: 11310CL129 GRIS / GREY
1	4402010041	PER: 11310CL144 ANTRACITA / ANTHRACITE
2	4402010510	PER: 11310 BLANCO / WHITE
2	4402010067	PER: 11310CL090 BEIGE
2	4402010069	PER: 11310CL129 GRIS / GREY
2	4402010040	PER: 11310CL144 ANTRACITA / ANTHRACITE
3	4402010506	PER: 11310 BLANCO / WHITE
3	4402010073	PER: 11310CL090 BEIGE
3	4402010075	PER: 11310CL129 GRIS / GREY
3	4402010039	PER: 11310CL144 ANTRACITA / ANTHRACITE
8	4402010082	PER: 11310 BLANCO / WHITE
8	4402010127	PER: 11310CL090 BEIGE
8	4402010128	PER: 11310CL129 GRIS / GREY
8	4402010129	PER: 11310CL144 ANTRACITA / ANTHRACITE
9	4402010508	PER: 11310 BLANCO / WHITE
9	4402010119	PER: 11310CL090 BEIGE
9	4402010120	PER: 11310CL129 GRIS / GREY
9	4402010042	PER: 11310CL144 ANTRACITA / ANTHRACITE
10	4402010501	PER: 11310 BLANCO / WHITE
10	4402010076	PER: 11310CL090 BEIGE
10	4402010079	PER: 11310CL129 GRIS / GREY
10	4402010080	PER: 11310CL144 ANTRACITA / ANTHRACITE
12	4402010308	PER: 11310 BLANCO / WHITE
12	4402010121	PER: 11310CL090 BEIGE
12	4402010126	PER: 11310CL129 GRIS / GREY
12	4402010088	PER: 11310CL144 ANTRACITA / ANTHRACITE

CODE 11310, 11310CL090, 11310CL129, 11310CL144

BESCHREIBUNG: SKIMMER 17,5L EINLASS STANDARD VERLÄNGERUNG ABDECKUNG QUADR



DEUTSCH

POS	CODE	BESCHREIBUNG	POS	CODE	BESCHREIBUNG
1	* 4402010509	SKIMMERDECKEL	6	4402010503	STOPFEN UND DICHTUNG
1	* 4402010064	SKIMMERDECKEL	7	4402010502	STOPFEN REGULIERUNG
1	* 4402010066	SKIMMERDECKEL	8	* 4402010082	EINLASS MITTIG SKIMMER
1	* 4402010041	SKIMMERDECKEL	8	* 4402010127	EINLASS MITTIG SKIMMER
2	* 4402010510	QUADRATISCHER RAHMEN UND ABDECKUNG	8	* 4402010128	EINLASS MITTIG SKIMMER
2	* 4402010067	QUADRATISCHER RAHMEN UND ABDECKUNG	8	* 4402010129	EINLASS MITTIG SKIMMER
2	* 4402010069	QUADRATISCHER RAHMEN UND ABDECKUNG	9	* 4402010508	RAHMEN SKIMMERKLAPPE
2	* 4402010040	QUADRATISCHER RAHMEN UND ABDECKUNG	9	* 4402010119	RAHMEN SKIMMERKLAPPE
3	* 4402010506	DISTANZRING SKIMMER	9	* 4402010120	RAHMEN SKIMMERKLAPPE
3	* 4402010073	DISTANZRING SKIMMER	9	* 4402010042	RAHMEN SKIMMERKLAPPE
3	* 4402010075	DISTANZRING SKIMMER	10	* 4402010501	SKIMMERKLAPPE MIT CLIP
3	* 4402010039	DISTANZRING 17,5 L	10	* 4402010076	SKIMMERKLAPPE MIT CLIP
4	4402010505	ABDECKUNG SKIMMKORB	10	* 4402010079	SKIMMERKLAPPE MIT CLIP

* -> SIEHE ANMERKUNGSBLATT

CODE **11310, 11310CL090, 11310CL129, 11310CL144**

BESCHREIBUNG: **SKIMMER 17,5L EINLASS STANDARD VERLÄNGERUNG ABDECKUNG QUADR**

5	4402010504	SKIMMERKORB 17,5 L	10	* 4402010080	SKIMMERKLAPPE MIT CLIP
11	4402014001	DICHTUNG SKIMMER KLEIN FERTIGBECKEN	12	* 4402010126	KLEINER SKIMMERRAHMEN
12	* 4402010308	KLEINER SKIMMERRAHMEN	12	* 4402010088	KLEINER SKIMMERRAHMEN
12	* 4402010121	KLEINER SKIMMERRAHMEN			

CODE **11310, 11310CL090, 11310CL129, 11310CL144**

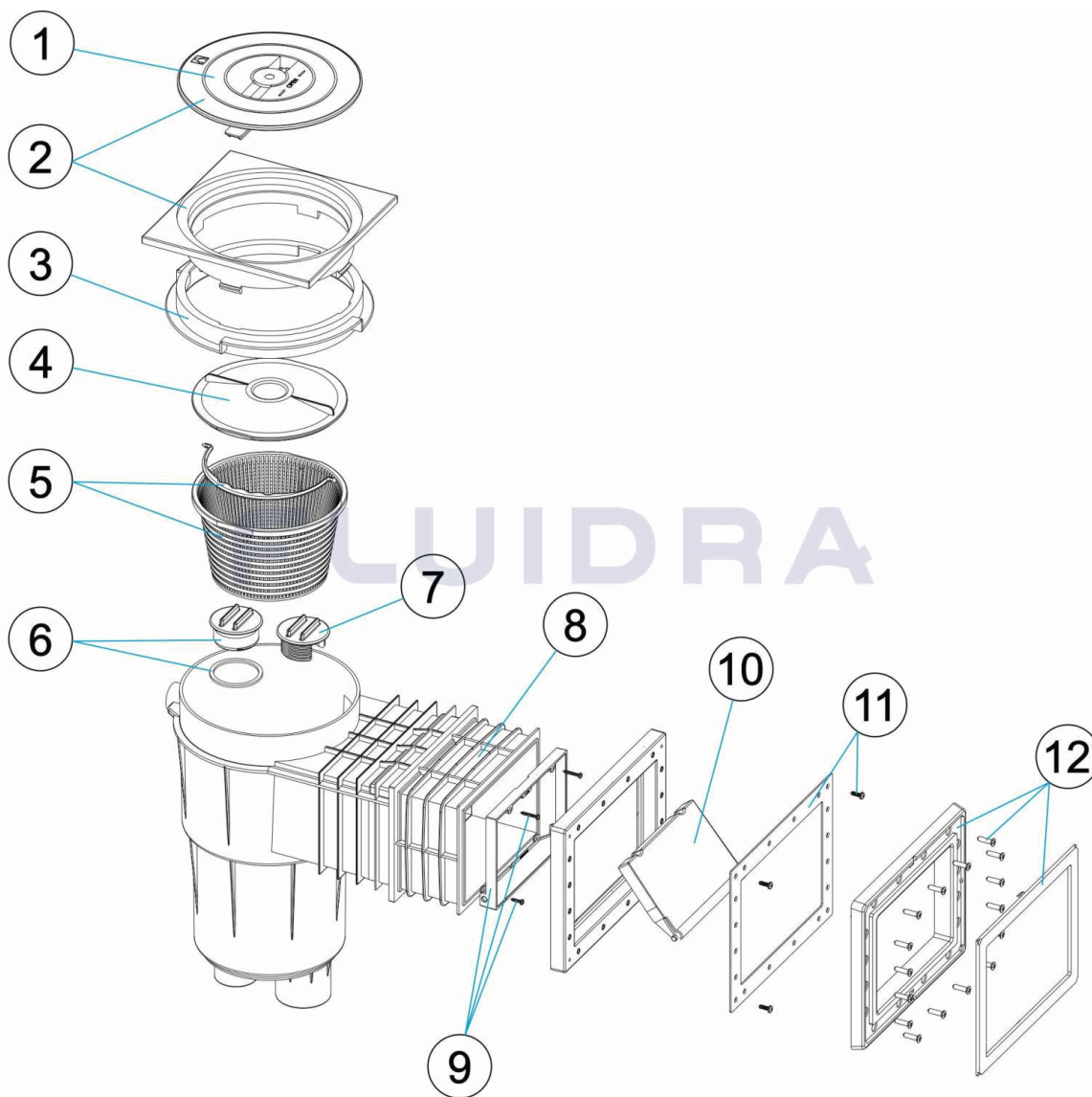
BESCHREIBUNG: **SKIMMER 17,5L EINLASS STANDARD VERLÄNGERUNG ABDECKUNG QUADR**

HINWEISE

POS	CODE	HINWEISE
1	4402010509	FÜR: 11310 BLANCO / WHITE
1	4402010064	FÜR: 11310CL090 BEIGE
1	4402010066	FÜR: 11310CL129 GRIS / GREY
1	4402010041	FÜR: 11310CL144 ANTRACITA / ANTHRACITE
2	4402010510	FÜR: 11310 BLANCO / WHITE
2	4402010067	FÜR: 11310CL090 BEIGE
2	4402010069	FÜR: 11310CL129 GRIS / GREY
2	4402010040	FÜR: 11310CL144 ANTRACITA / ANTHRACITE
3	4402010506	FÜR: 11310 BLANCO / WHITE
3	4402010073	FÜR: 11310CL090 BEIGE
3	4402010075	FÜR: 11310CL129 GRIS / GREY
3	4402010039	FÜR: 11310CL144 ANTRACITA / ANTHRACITE
8	4402010082	FÜR: 11310 BLANCO / WHITE
8	4402010127	FÜR: 11310CL090 BEIGE
8	4402010128	FÜR: 11310CL129 GRIS / GREY
8	4402010129	FÜR: 11310CL144 ANTRACITA / ANTHRACITE
9	4402010508	FÜR: 11310 BLANCO / WHITE
9	4402010119	FÜR: 11310CL090 BEIGE
9	4402010120	FÜR: 11310CL129 GRIS / GREY
9	4402010042	FÜR: 11310CL144 ANTRACITA / ANTHRACITE
10	4402010501	FÜR: 11310 BLANCO / WHITE
10	4402010076	FÜR: 11310CL090 BEIGE
10	4402010079	FÜR: 11310CL129 GRIS / GREY
10	4402010080	FÜR: 11310CL144 ANTRACITA / ANTHRACITE
12	4402010308	FÜR: 11310 BLANCO / WHITE
12	4402010121	FÜR: 11310CL090 BEIGE
12	4402010126	FÜR: 11310CL129 GRIS / GREY
12	4402010088	FÜR: 11310CL144 ANTRACITA / ANTHRACITE

CODIGO 11310, 11310CL090, 11310CL129, 11310CL144

DESCRIÇÃO: SKIMMER 17,5 L B. STAND. + EXTENSÃO + T. QUADR.



PORTUGUES

POS	CODIGO	DESCRIÇÃO	POS	CODIGO	DESCRIÇÃO
1	* 4402010509	TAMPA SKIMMER	6	4402010503	TAMPA COM JUNTA
1	* 4402010064	TAMPA SKIMMER	7	4402010502	TAMPA REGULADORA
1	* 4402010066	TAMPA SKIMMER	8	* 4402010082	BOCA INTERMÉDIA DE SKIMMER
1	* 4402010041	TAMPA SKIMMER	8	* 4402010127	BOCA INTERMÉDIA DE SKIMMER
2	* 4402010510	ARO QUADRADO E TAMPA	8	* 4402010128	BOCA INTERMÉDIA DE SKIMMER
2	* 4402010067	ARO QUADRADO E TAMPA	8	* 4402010129	BOCA INTERMÉDIA DE SKIMMER
2	* 4402010069	ARO QUADRADO E TAMPA	9	* 4402010508	CAIXILHO COMPORTA SKIMMER
2	* 4402010040	ARO QUADRADO E TAMPA	9	* 4402010119	CAIXILHO COMPORTA SKIMMER
3	* 4402010506	ANEL DISTANCIADOR SKIMMER	9	* 4402010120	CAIXILHO COMPORTA SKIMMER
3	* 4402010073	ANEL DISTANCIADOR SKIMMER	9	* 4402010042	CAIXILHO COMPORTA SKIMMER
3	* 4402010075	ANEL DISTANCIADOR SKIMMER	10	* 4402010501	COMPORTA SKIMMER CLIP
3	* 4402010039	ANEL DISTANCIADOR SKIMMER	10	* 4402010076	COMPORTA SKIMMER CLIP
4	4402010505	TAMPA CESTO SKIMMER	10	* 4402010079	COMPORTA SKIMMER CLIP

* -> VEJA A FICHA DE OBSERVAÇÕES

CODIGO **11310, 11310CL090, 11310CL129, 11310CL144**

DESCRIÇÃO: **SKIMMER 17,5 L B. STAND. + EXTENSÃO + T. QUADR.**

5	4402010504	CESTO SKIMMER 17,5 LTS	10	* 4402010080	COMPORTA SKIMMER CLIP
11	4402014001	JUNTA PEQUENA DE SKIMMER	12	* 4402010126	ARO PEQUENO SKIMMER
12	* 4402010308	ARO PEQUENO SKIMMER	12	* 4402010088	ARO PEQUENO SKIMMER
12	* 4402010121	ARO PEQUENO SKIMMER			

CODIGO 11310, 11310CL090, 11310CL129, 11310CL144

DESCRIÇÃO: SKIMMER 17,5 L B. STAND. + EXTENSÃO + T. QUADR.

OBSERVACÕES

POS	CODIGO	OBSERVACÕES
1	4402010509	PARA: 11310 BLANCO / WHITE
1	4402010064	PARA: 11310CL090 BEIGE
1	4402010066	PARA: 11310CL129 GRIS / GREY
1	4402010041	PARA: 11310CL144 ANTRACITA / ANTHRACITE
2	4402010510	PARA: 11310 BLANCO / WHITE
2	4402010067	PARA: 11310CL090 BEIGE
2	4402010069	PARA: 11310CL129 GRIS / GREY
2	4402010040	PARA: 11310CL144 ANTRACITA / ANTHRACITE
3	4402010506	PARA: 11310 BLANCO / WHITE
3	4402010073	PARA: 11310CL090 BEIGE
3	4402010075	PARA: 11310CL129 GRIS / GREY
3	4402010039	PARA: 11310CL144 ANTRACITA / ANTHRACITE
8	4402010082	PARA: 11310 BLANCO / WHITE
8	4402010127	PARA: 11310CL090 BEIGE
8	4402010128	PARA: 11310CL129 GRIS / GREY
8	4402010129	PARA: 11310CL144 ANTRACITA / ANTHRACITE
9	4402010508	PARA: 11310 BLANCO / WHITE
9	4402010119	PARA: 11310CL090 BEIGE
9	4402010120	PARA: 11310CL129 GRIS / GREY
9	4402010042	PARA: 11310CL144 ANTRACITA / ANTHRACITE
10	4402010501	PARA: 11310 BLANCO / WHITE
10	4402010076	PARA: 11310CL090 BEIGE
10	4402010079	PARA: 11310CL129 GRIS / GREY
10	4402010080	PARA: 11310CL144 ANTRACITA / ANTHRACITE
12	4402010308	PARA: 11310 BLANCO / WHITE
12	4402010121	PARA: 11310CL090 BEIGE
12	4402010126	PARA: 11310CL129 GRIS / GREY
12	4402010088	PARA: 11310CL144 ANTRACITA / ANTHRACITE