

ACCESSORIES AND SPARE PARTS PRICE LIST 2021

Sales prices in Euro excl. VAT • Valid from 01/01/21 until 31/12/21

PREFABRICATED SWIMMING POOLS



www.rivierapool.com

RivieraPool®

PREFABRICATED SWIMMING POOLS • WHIRLPOOLS

Prefabricated pools in segments

Pools with skimmer	Page 3
Pools with overflow channel	Page 4

Individual accessories

Basic equipment	Page 5
Skimmers	Page 5
Additional extras	Page 5
LED underwater lights	Page 6
Optional extras	Page 6
PAR 56 and Halogen	Page 7
Riviera connection box universal	Page 7

Whirl and massage systems for private use

Counter current units	Page 8
Massage systems	Page 9

Roller shutter cover / Roller shutter slats

Underground roller shutter cover	Page 10
Roller shutter cover "Stone"	Page 10
Roller shutter cover "Inline"	Page 10
Roller shutter cover "Integra 2-13"	Page 11
Roller Shutter niche for skimmer pools	Page 11
Skimmer for roller shutter niche	Page 11
Roll-up fixture RSK	Page 11
Roller shutter covers / slats	Page 12

Wall supports /service

Wall supports	Page 14
Service	Page 14
Repair sets	Page 14

Piping at the pool

Accessories	Page 15
Laminated cable connection box	Page 15

Technique shafts

GRP-technique shaft	Page 16
GRP -multi purpose technique shaft	Page 17

Water tanks

Page 17

Pool ladders

Page 17

Shower basin / Shower with hand-held shower head

Page 18

Decor tiles made of Ezarri glass mosaic / Coping stones

Decor tiles made of Ezarri glass mosaic	Page 19
Natural coping stones granit, stone rounded to the pool side	Page 19
Coping stones with overhanging nose	Page 19

Active member
of the AVK-TV
(Federation of
reinforced plastics)



Aktives Mitglied in der
Arbeitsgemeinschaft
Verstärkte Kunststoffe -
Technische Vereinigung e.V.
(AVK-TV)

Pools in segments

Most of the RivieraPools can be supplied in segments to be flange connected at the site. A seam joint will be visible between the segments.

NOTE:

Pools supplied in segments have 6 cm of insulation in the base. It is not necessary to prepare cut outs in the concrete slab.



Pools with skimmer

Flanges

incl. bottom reinforcement and bolting material for all pool sizes	per flange	N 3 600 099	2.760,50
---	------------	-------------	-----------------

(Not suitable for "granicite" coloured pools)

Pool extension per m

for pool type 240	A 9 092 996	1.252,10
for pool type 320	A 9 092 997	1.436,97
for pool type 370	A 9 092 998	1.579,83

Bolting of the segments, for all sizes

in the factory	N 3 600 095	781,51
at the site, pools in 2 segments, 1 local technician	N 3 600 098	798,32
at the site, pools in several segments	N 3 600 096	3.008,40

(for construction sites within Germany and BeNeLux only)

Pools in segments

Pools with overflow channel

Most of the RivieraPools can be supplied in segments to be flange connected at the site. A seam joint will be visible between the segments.

NOTE:

Pools supplied in segments have 6 cm of insulation in the base. It is not necessary to prepare cut outs in the concrete slab.



Pools with overflow channel

Flanges

incl. bottom reinforcement and bolting material for all pool sizes	per flange	N 3 600 094	3.096,64
---	------------	-------------	-----------------

(Not suitable for „granicite“ coloured pools)

Pool extension

per mtr., incl. gutter grating, adjustment rails, mosaic tiles, adhesive and grout			
for pool type 370		A 9 092 900	2.155,46

Prefabricated kit for pools with overflow channel with gutter, per mtr.		A 2 401 002	554,62
--	--	-------------	---------------

Prefabricated kit for pools with overflow channel with stone covering, per mtr.		A 2 401 202	546,22
--	--	-------------	---------------

Bolting of the segments, for all sizes

in the factory		N 3 600 093	1.092,44
----------------	--	-------------	-----------------

at the site, pools in 2 segments, 1 local technician		N 3 600 092	1.205,88
--	--	-------------	-----------------

at the site, pools in several segments		N 3 600 096	3.008,40
--	--	-------------	-----------------

(for construction sites within Germany and BeNeLux only)

Basic equipment

Elbow for drain red brass R 1 1/2"
(Not to be used as suction fitting) B 3 510 000 **168,07**

New! **Closure plate, stainless steel**, for bottom drain L 393 000 **53,78**

Anti-swirl cover, for drain stainless steel polished (for RivieraPools) B 3 512 000 **126,05**

Wall low level suction BK 2", (Qmax = 14,3 m³/h)*, Cover Ø200 mm, stainless steel polished B 4 230 250 **310,92**

Eyeball inlet
R 1 1/2", Ø4 x 8 mm, white, (Qmax = 3,6 m³/h) * stainless steel polished B 3 510 530 **134,45**

Ø8 mm, stainless steel polished B 3 510 550 **142,86**
Plug B 3 510 520 **29,41**

Eyeball inlet with nozzle
R 1 1/2", Ø25 mm, (Qmax = 6,9 m³/h) * B 3 510 400 **163,87**
Plug B 3 510 470 **29,41**

New! **Additional bottom outlet sump** A 3 512 100 **211,76**

Skimmers

Skimmer RG 126, red brass with strainer basket and stainless steel polished lid. Straight suction connection 1 1/2", overflow R 1 1/2", Q = 8-10 m³/h B 3 502 010 **928,57**

Wall conduit red brass for prefabricated pools B 3 502 090 **441,18**

Water level controller, red brass, inclusive dosing valve and stainless steel polished B 3 502 030 **399,16**

Skimmer frame, for the skimmer cover, stainless steel polished B 3 502 520 **121,85**

Double skimmer frame for skimmer and water level regulator, stainless steel polished B 3 502 530 **197,48**

Skim vac B 3 502 012 **46,22**

GRP Skimmer (model 01/2015), stainless steel cover and -weir, overflow d 50, suction connection 2" A 3 503 010 **722,69**

Water level controller, mechanically 3/8" A SBZ00980065 **37,82**

Skimmer Integra, double skimmer weir, suction connection 2", mechanical level regulator 1/2" (external thread) with cover and overflow d 50; installed in the roller shutter shaft, Q = 8-12 m³/h A 3 916 070 **760,50**

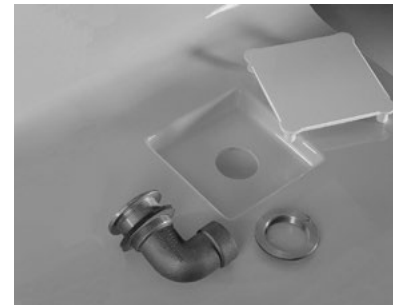
Skimmer V 20 with special flange, Skim Vac and Mini level valve, Q = 8-10 m³/h B 3 502 080 **760,50**

Additional equipment

Hot tap sampling point, 2 suction fittings 2" IG, suction grille Ø200 for each 14,3 m³/h stainless steel polished B 4 230 110 **621,85**

Vacuum point stainless steel polished B 2 400 113 **235,29**

* Details comply with the specification DIN 16713 bei 0,5 m/sec



Elbow for drain with anti swirl cover



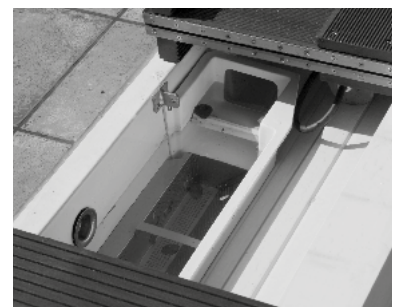
Eyeball inlet 4-8 mm with plug



Skimmer RG 126, red brass with strainer basket



GRP skimmer with stainless steel cover



Skimmer Integra

Individual accessories

HT LED underwater lights

Niche of GRP laminated

- for installation under the stairs

A SBZ 00 370 300 **365,55**

Stainless steel niche for underwater light, incl. joint and installation material (for Ø170)

A SBZ 00 370 400 **365,55**

Niche of red brass with stud bolt and flange and adapter (for Ø170 in the side wall)

B L 4 101 060 **365,55**

LED underwater light, 45 W, warm white, 4500 lm, Ø170 mm, with stainless steel faceplate

A 3 531 400 **302,52**

LED underwater light, 40 W, RGB, 2000 lm, Ø170 mm, with stainless steel faceplate

A 3 531 410 **428,57**

LED underwater light, 7 W, warm white, 700 lm, Ø100 mm, with stainless steel faceplate

A 3 531 440 **176,47**

LED underwater light, 6 W, RGB, 350 lm, Ø100 mm, with stainless steel faceplate

A 3 531 450 **252,10**

Transformers for on/off function according to VDE 0551, IP 64, Iso. Class E

Model 50 VA B 3 539 008 **134,45**

Model 100 VA B 3 539 009 **176,47**

Model 150 VA B 3 539 011 **193,28**

Model 300 VA B 3 539 010 **218,49**

Model 600 VA B 3 539 020 **273,11**

Switch box for connecting an on-site dimmer (for LED, warm white)

with 60 W power supply A 3 531 455 **500,00**

with 120 W power supply A 3 531 457 **533,61**

with 192 W power supply A 3 531 460 **558,82**

with 320 W power supply A 3 531 465 **663,87**

with 480 W power supply A 3 531 470 **764,71**

Control box (192 W) with remote control and DMX protocol (for 1-4 UWS-RGB) for changing light colours, dimmer and various colour effects, memory function, control panel with wall bracket (remote control not waterproof)

A 3 531 480 **659,66**

Control box (480 W) with remote control and DMX protocol (for 1-8 UWS-RGB) for changing light colours, dimmer and various colour effects, memory function, control panel with wall bracket (remote control not waterproof)

A 3 531 490 **869,75**

Splitter for DMX, from 6 pieces of a size of UWS and when mixing 100 mm with 170 mm RGB is always necessary (built into the switchbox)

A L 56 389 **151,26**

Optional extras

Maritim-underwater light red brass niche

with stud bolt and flange

A L 4 101 050 **365,55**

28/4 piece high-power LED, 3.0, 24 V DC, with stainless steel faceplate, polished, 5 m silicone cable, **warm white**

A 3 534 120 **1.394,96**

ditto **RGBW**

A 3 534 160 **1.596,64**

16/4 piece high-power LED, 3.0, 24 V DC, with stainless steel faceplate, polished, 5 m silicone cable, 2 x 1,5 mm², **warmwhite**

A 3 534 220 **789,92**

ditto **RGBW**

A 3 534 260 **903,36**



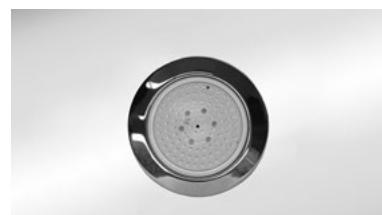
Stainless steel niche



Red brass niche



HT LED underwaterlight Ø170 mm



HT LED underwaterlight Ø100 mm



Control box with remote control



28/4 piece high-power LED

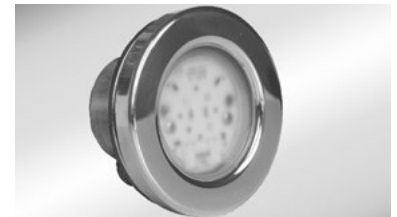


16/4 er Power-LED

4/4 piece high-power LED , 3.0, 24 V DC, with stainless steel faceplate, polished, 5 m silicone cable, warm white	A 3 534 325	705,88
As above but with colour changing RGBW	A 3 534 365	726,89
Power supply 100-277 V AC/24 V DC , 200 W for two 21-piece, for 15-piece, or 6 x 3-piece high-power LED 2.0, monochrome	A 3 534 030	571,43
Electrical ballast 100-277 V AC/24 V DC , 200 W for two 21-piece, for 15-piece, or six 3-piece high-power LED 2.0, RGB	A 3 534 040	983,19
Sub-distribution for 24 V high-power LED 2.0, for connecting more than 4 under water lights	A 3 534 060	113,45
Dimmer/Colour changer 24 V/ 12 V, for LED/UWS	A 3 534 070	399,16
Remote control for colour changing LED pool lights , incl. remote, receiver with antenna and connecting cable	A 3 534 050	617,65

PAR 56 and halogen

Red brass niche with stud bolt and flange	A L 4 101 050	365,55
Maritim headlight insert , complete with lamp 300 W-12 V cover V 4A polished, 4,5 cable	B L 4 130 020	491,60
Mini underwater light 50 W-12 V of red brass for stair lighting, incl. red brass niche with stud bolt and stainless steel faceplate V 4A, 4,5 m cable , Ø 140 mm	B 3 201 000	689,08
Cable connecting box of red brass chrome on brass	B 3 539 002	172,27
Cable connecting box of plastic	B 3 539 003	43,70
Magic gel	A L 910 155	28,57



3-piece high-power LED



Remote control



Maritim headlight insert



Mini underwater light 50 W-12 V

New!

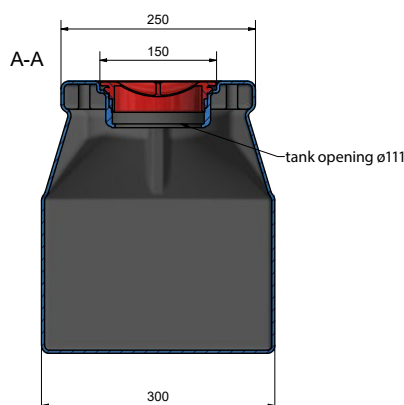
Riviera connecting box universal

Waterproof cable junction box with screw cap, for buried installation under the coping stone, incl. 5 cable glands with 25 mm solvent socket. Suitable for holding cables and connections, e.g. for connecting spotlights and electrical connections for roller shutters, etc.

A 3 539 100 **180,67**

Details and applications see

www.pools.de/Kabelbox



Riviera connection box universal, figure similar

Whirl- and massage systems for private use

Counter current units

New!

Twinjet 1000
frequency frequency controlled pump available

Dual jet system

consisting of:

For installation in the roller shutter shaft

Fitting set incl. gate valve

B 3 580 167 **2.516,81**

or

For installation in the pool area according to DIN:

Fitting set according to DIN 16 713 for 2 x 2 1/2"

Face plate Ø350 mm, Q_{max} = 52,7 m³/h

B 3 580 165 **3.268,91**

Pump kit (blue) 2.6 kW-400 V for piezo switch
incl. switchbox (6-10 A), Q_{max} approx. 60 m³/h

B 3 590 194 **2.953,78**

Pump kit (blue) 2.6 kW-400 V for piezo switch
incl. switchbox (6-10 A), Q_{max} approx. 60 m³/h,
incl. frequency control, 3-stage switchable

B 3 591 015 **3.823,53**

Pump kit with self-priming pump made of PVC
NS 400, 400 V-3.4 kW, 400 V, suitable for
Twinjet 1000, incl. switchbox, (10-12A)

A 3 590 196 **2.542,02**



Twinjet 1000 – Dual jet system

Available from 01.05.2021:

New!

Trijet – Triple jet system (for installation at the pool)

For installation in the roller shutter shaft

Fitting set incl. gate valve

B 3 591 020 **4.168,07**

or

For installation in the pool area according to DIN:

Fitting set according to DIN 16 713

2 x 2 1/2", face plate Ø350 mm, Q_{max} = 52,7 m³/h

B 3 591 030 **5.159,66**

Pump kit (blue) 2.6 kW-400 V for piezo switch,
incl. switchbox (6-10 A), Q_{max} approx. 60 m³/h

B 3 590 194 **2.953,78**

Pump kit (blue) 2.6 kW-400 V for piezo switch,
incl. switchbox (6-10 A), Q_{max} approx. 60 m³/h
incl. frequency control, 3-stage switchable

B 3 591 015 **3.823,53**



Trijet – Triple jet system

Trijet – Triple jet system (for installation up to max. 20 m from the pool)

For installation in the roller shutter shaft

Fitting set incl. gate valve

B 3 591 120 **4.823,53**

or

For installation in the pool area according to DIN:

Fitting set according to DIN 16 713

3 x 2 1/2", face plate Ø350 mm, Q_{max} = 52,7 m³/h

B 3 591 130 **6.000,00**

Pump kit (green) 4.0 kW-400 V for piezo switch,
incl. switchbox (10-12 A), Q_{max} approx. 90 m³/h

B 3 590 110 **3.357,14**

Pump kit (green) 4.0 kW-400 V for piezo switch
incl. switchbox (10-12 A), Q_{max} approx. 90 m³/h
incl. frequency control

B 3 591 115 **4.197,48**

New! Available from 01.05.2021:

Turbo counter current system, elegant design

Turbojet turbine unit, Qmax approx. 300 m³/h, 3-stage power control, rated power 1,200 watts, power supply: 230 V/50 Hz, current consumption control: 6 A, drive voltage: 24 VDC/50 A.

Including technical shaft, switchbox, remote control, (skimmer optionally available)

Complete set A 3 591 300 **12.563,03**

New! **Ambience package**

Integrated RGB lighting to the front and sides A 3 591 350 **1.483,19**



Turbojet – counter current system (figure similar)

Massage systems

Healthstream 2-14 control

System with 2 superjets, Qmax ca. 20 m³/h

Safety suction fittings incl. gate valve to be installed inside the **roller shutter cover** B 3 595 115 **1.436,97**

Safety suction fittings according to DIN EN 16 713 to be **installed inside the pool**

2 x 2 1/2", suction grille ø280 mm, Qmax = 31,9 m³/h B 3 595 120 **1.903,36**

Pump kit 1,0–230 V, incl. switch box, (6-10 A) B 3 595 225 **1.739,50**

Healthstream 4-22

System with 4 superjets, Qmax ca. 38 m³/h

Safety suction fittings incl. gate valve to be installed inside the **roller shutter cover** B 3 594 150 **2.071,43**

Safety suction fittings according to DIN EN 16 713 to be **installed inside the pool**

2 x 2 1/2", suction grille ø 350 mm, Qmax = 52,7 m³/h B 3 594 155 **2.823,53**

Pump kit 2,2 kW-400 V, incl. switch box, (4-6 A) B 3 580 194 **2.436,97**

Air bubble plate

Safety suction fittings without gate valve B 3 583 320 **1.436,97**

Pump kit 0.85 kW-230 V incl. switch box B 3 583 205 **1.340,34**

Complete unit B 3 583 020 **2.777,31**

Air jet system for seating areas

Air channel with jets and Piezo-switch A 3 593 120 **1.857,14**

Blower

Suitable for private and commercial use, 0.85 kW-230 V incl. switch box B 3 583 205 **1.340,34**



Healthstream 4-22



Air bubble plate



Air jet system for seating areas

Roller shutter covers

Underground roller shutter cover

Roller shutter shaft 80 cm, with shaft drain 1 ½",
2 inlets 1 ½"

Pool type 320 , *1,3 m ³	A 2 200 329	3.449,58
Pool type 370 , *1,5 m ³	A 2 200 310	4.159,66

Vacuum hoover for rollcover shaft

incl. telescopic pole, hose and adapter

A 2 200 001	218,49
-------------	---------------

Shaft cover

White GRP with hinge and gas pressure assisted strut, stainless steel lintel beam, with 4 straps.

Pool type 370	A 2 200 332	3.067,23
----------------------	-------------	-----------------

New!

Kebony® real wood sun deck

Roller shutter shaft cover made of 22 mm durable real wood, stainless steel lintel beam and weighted pipe cover tensioner with straps. Colour: Clear

Pool type 320	A 2 200 330	3.151,26
Pool type 370	A 2 200 340	3.319,33
Pool type 470	A 2 200 155	4.117,65

More information about Kebony real wood at:

www.kebony.com

Roller shutter cover "Stone"

Lintel beam 120 x 80 x 4 mm with 40 mm wide mounting surface for 8 cm wide coping stones to be placed on the pool ledge.

Rilsan-coated almost identical to pool colour

Pool type 370	A 2 200 323	2.008,40
----------------------	-------------	-----------------

Inline-roller shutter cover

Installed on the bottom of the pool, roll cover housed under a hinged Inline bench, pre-installed, with 2 jets 1 ½" under the bench.

Pool type 370 , *1,1 m ³	A 2 200 350	7.899,16
--	-------------	-----------------

Air jet system for 370, inline bench, air channel with jets and Piezo circuit.

A 2 200 362	1.857,14
-------------	-----------------

Ring channel blower

0,85 kW, 230 V for private and commercial use, incl. switch box 230 V, incl. protector up to 2 kW (6 -10 A)

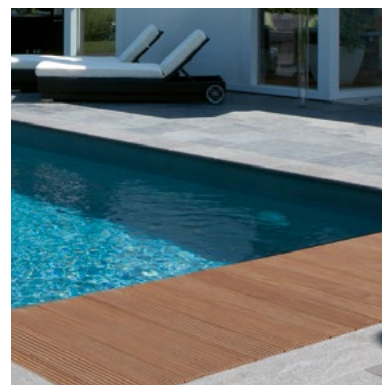
A 3 583 205	1.340,34
-------------	-----------------

Transportation of pools with "Inline" roller shutters

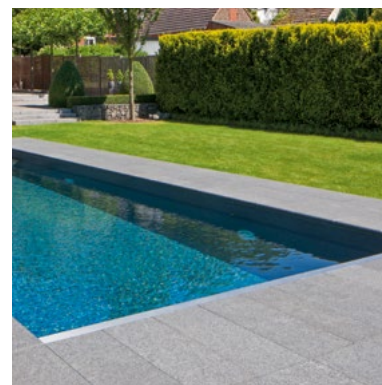
N 9 213 000	on request
-------------	-------------------



Roller shutter shaft



Real wood sun deck (figure similar)



Roller shutter cover "Stone"



Roller shutter with "Inline" bench

Roller shutter shaft Integra 2-13

Roller shutter shaft Integra 2-13, for an extra high water level, extends the pool by 48 cm, with hinged seat bench (depth 60 cm) and 2 inlet jets. Offers maximum swimming space.

Pool type 370 , *1,9 m ³	A 2 200 610	4.231,09
Pool type 320 , *1,6 m ³	A 2 200 620	3.735,29
Pool type 270 , *1,2 m ³	A 2 200 640	3.508,40
Pool type 240 , *1,0 m ³	A 2 200 630	3.243,70



Roller shutter Integra 2-13

Roller Shutter niche for skimmer pools

The roller shutter will be installed behind the pool wall and below the coping stones. It extends the pool by 25 cm and protrudes 50 cm into the pool. For inspection purposes the screen can be totally removed. 2 jets are installed in the niche and there is a plain surface for installation of the skimmer. Skimmer is not automatically included and has to be ordered separately!

Caution: In the 320 pool, the niche is flanged and screwed in place. In conjunction with the flanging, the insulation is 3 cm thicker in the pool base, so that the flange is flush with the pool base on the outside. External height 1.57 m!

Pool type 370 , *1,2 m ³	A 2 200 510	8.109,24
Pool type 320 , *0,8 m ³	A 2 200 515	6.915,97

Please note: **Individual shipment**

Pool type 320 , Pool type 370	N 9 213 000	on request
---	-------------	-------------------



Roller shutter niche for skimmer pools

Skimmer for roller shutter niche

Pre-installed skimmer front and weir (water level regulator not included)

A 3 916 090	722,69
-------------	---------------

Electrical roll-up fixture RSK

Electrical roll-up fixture RSK, 24 V DC, shaft made from composite material with internal motor and stainless steel wall fixings, installed in the factory; incl. control box and **key switch**

RSK-370	with key switch and 4 m motor cable	A 22 003310	5.718,49
	with control button and 4 m motor cable	A 22 003311	6.109,24
	with key switch and 20 m motor cable	A 22 003312	5.932,77
	with control button and 20 m motor cable	A 22 003313	6.323,53
RSK-320	with key switch and 4 m motor cable	A 22 003320	5.579,83
	with control button and 4 m motor cable	A 22 003321	5.970,59
	with key switch and 20 m motor cable	A 22 003322	5.794,12
	with control button and 20 m motor cable	A 22 003323	6.184,88
RSK-270	with key switch and 4 m motor cable	A 22 003340	5.357,14
	with control button and 4 m motor cable	A 22 003341	5.747,90
	with key switch and 20 m motor cable	A 22 003342	5.571,43
	with control button and 20 m motor cable	A 22 003343	5.962,19

Pool type 470: Roller stainless steel	A 2 200 309	6.016,81
--	-------------	-----------------

Connection cable 9-pin RSP, per meter	A L 6100-0023	13,45
--	---------------	--------------



Control panel

*additional pool capacity in m³

Roller shutter slats - slat width 6 cm -

Roller shutter slats 240	PVC white	PVC grey	PVC solar	Polycarbonate solar	Polycarbonate solar, silver vaporized
single slat (6 cm)	17,65 A 01-01 01 001	17,65 A 01-03 01 001	24,37 A 01-02 01 001	33,61 A 01-04 01 001	37,82 A 01-05 01 001
step end roller shutter cover for: Modena 520 (1,10 m)	605,04 A 01-01 01 103	605,04 A 01-03 01 103	823,53 A 01-02 01 103	1.201,68 A 01-04 01 103	1.264,71 A 01-05 01 103

Roller shutter slats 270	PVC white	PVC grey	PVC solar	Polycarbonate solar	Polycarbonate solar, silver vaporized
single slat (6 cm)	18,49 A 01-01 20 001	18,49 A 01-03 20 001	26,05 A 01-02 20 001	34,45 A 01-04 20 001	39,50 A 01-05 20 001
step end slats	117,65 A 01-01 20 050	117,65 A 01-03 20 050	142,86 A 01-02 20 050	172,27 A 01-04 20 050	184,87 A 01-05 20 050

Roller shutter slats 320	PVC white	PVC grey	PVC solar	Polycarbonate solar	Polycarbonate solar, silver vaporized
single slat (6 cm)	19,33 A 01-01 02 001	19,33 A 01-03 02 001	27,73 A 01-02 02 001	36,13 A 01-04 02 001	41,18 A 01-05 02 001
step end roller shutter cover for: Ravenna 320 (1,20 m)	605,04 A 01-01 02 113	605,04 A 01-03 02 113	823,53 A 01-02 02 113	1.201,68 A 01-04 02 113	1.264,71 A 01-05 02 113
Marina 320 (0,66 m)	285,71 A 01-01 02 111	285,71 A 01-03 02 111	411,76 A 01-02 02 111	596,64 A 01-04 02 111	638,66 A 01-05 02 111
Modena 320 (for 660 + 760)	605,04 A 01-01 02 103	605,04 A 01-03 02 103	823,53 A 01-02 02 103	1.201,68 A 01-04 02 103	1.264,71 A 01-05 02 103
step end slats	117,65 A 01-01 02 050	117,65 A 01-03 02 050	142,86 A 01-02 02 050	172,27 A 01-04 02 050	184,87 A 01-05 02 050

Roller shutter slats 370	PVC white	PVC grey	PVC solar	Polycarbonate solar	Polycarbonate solar, silver vaporized
single slat (6 cm)	21,01	21,01	31,93	41,18	46,22
Underground roller shutter inline	A 01-01 03 001	A 01-03 03 001	A 01-02 03 001	A 01-04 03 001	A 01-05 03 001
	A 01-01 05 001	A 01-03 05 001	A 01-02 05 001	A 01-04 05 001	A 01-05 05 001

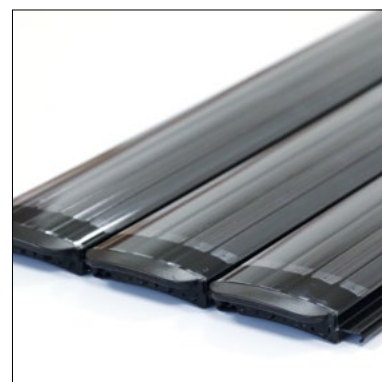
Classic	600	700	800	900	1000
	2.142,86 A 01-01 03 202	2.142,86 A 01-03 03 202	3.365,55 A 01-02 03 202	4.495,80 A 01-04 03 202	5.172,27 A 01-05 03 202
	2.445,38 A 01-01 03 203	2.445,38 A 01-03 03 203	3.852,94 A 01-02 03 203	5.142,86 A 01-04 03 203	5.911,76 A 01-05 03 203
	2.760,50 A 01-01 03 204	2.760,50 A 01-03 03 204	4.331,93 A 01-02 03 204	5.777,31 A 01-04 03 204	6.651,26 A 01-05 03 204
	3.050,42 A 01-01 03 205	3.050,42 A 01-03 03 205	4.819,33 A 01-02 03 205	6.415,97 A 01-04 03 205	7.373,95 A 01-05 03 205
	3.352,94 A 01-01 03 206	3.352,94 A 01-03 03 206	5.298,32 A 01-02 03 206	7.071,43 A 01-04 03 206	8.121,85 A 01-05 03 206



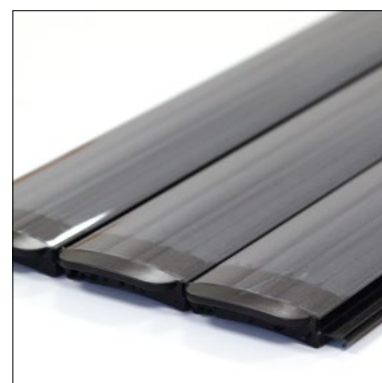
Standard PVC white



Standard PVC solar



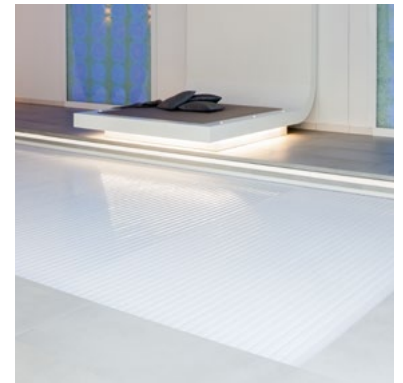
Polycarbonate solar



Polycarbonate silver vaporized

Roller shutter slats - slat width 6 cm -

Roller shutter slats 370	PVC white	PVC grey	PVC solar	Polycarbonate solar	Polycarbonate solar, silver vaporized
step end roller-shutter cover for:					
Modena old model (1,10 m)	605,04 A 01-01 03 103	605,04 A 01-03 03 103	823,53 A 01-02 03 103	1.201,68 A 01-04 03 103	1.264,71 A 01-05 03 103
Rom (1,50 m)	651,26 A 01-01 03 109	651,26 A 01-03 03 109	882,35 A 01-02 03 109	1.264,71 A 01-04 03 109	1.323,53 A 01-05 03 109
Florenz (1,20 m)	605,04 A 01-01 03 110	605,04 A 01-03 03 110	823,53 A 01-02 03 110	1.201,68 A 01-04 03 110	1.264,71 A 01-05 03 110
Royal (1,20 m)	605,04 A 01-01 03 107	605,04 A 01-03 03 107	823,53 A 01-02 03 107	1.201,68 A 01-04 03 107	1.264,71 A 01-05 03 107
Capri (1,30 m)	605,04 A 01-01 03 106	605,04 A 01-03 03 106	823,53 A 01-02 03 106	1.201,68 A 01-04 03 106	1.264,71 A 01-05 03 106
Ravenna 370 (1,10m)	605,04 A 01-01 03 113	605,04 A 01-03 03 113	823,53 A 01-02 03 113	1.201,68 A 01-04 03 113	1.264,71 A 01-05 03 113
Rimini 370 (1,20 m)	689,08 A 01-01 03 105	689,08 A 01-03 03 105	987,39 A 01-02 03 105	1.310,92 A 01-04 03 105	1.424,37 A 01-05 03 105
Kara (0,7 m)	445,38 A 01-01 03 108	445,38 A 01-03 03 108	634,45 A 01-02 03 108	949,58 A 01-04 03 108	1.016,81 A 01-05 03 108
step end slats	121,85 A 01-01 03 050	121,85 A 01-03 03 050	159,66 A 01-02 03 050	184,87 A 01-04 03 050	201,68 A 01-05 03 050

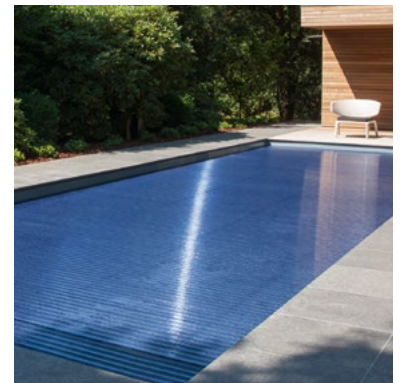


Standard white



Standard PVC solar

Roller shutter slats 470	PVC white	PVC grey	PVC solar	Polycarbonate solar	Polycarbonate solar, silver vaporized
single slat (6 cm)	22,69	22,69	36,13	47,06	55,46
Underground roller shutter	A 01-01 06 001	A 01-03 06 001	A 01-02 06 001	A 01-04 06 001	A 01-05 06 001
inline	A 01-01 07 001	A 01-03 07 001	A 01-02 07 001	A 01-04 07 001	A 01-05 07 001
step end roller shutter cover for:					
Royal 470	689,08 A 01-01 06 107	689,08 A 01-03 06 107	949,58 A 01-02 06 107	1.281,51 A 01-04 06 107	1.474,79 A 01-05 06 107
Linear 470 (370)	781,51 A 01-01 06 102	781,51 A 01-03 06 102	1.138,66 A 01-02 06 102	1.445,38 A 01-04 06 102	1.621,85 A 01-05 06 102
Kara (0,7 m)	445,38 A 01-01 06 108	445,38 A 01-03 06 108	634,45 A 01-02 06 108	949,58 A 01-04 06 108	1.016,81 A 01-05 06 108
step end slats	130,25 A 01-01 06 050	130,25 A 01-03 06 050	172,27 A 01-02 06 050	205,88 A 01-04 06 050	226,89 A 01-05 06 050



Polycarbonate solar



Polycarbonate silver vaporized

Wall supports / Service

Wall supports are recommended for indoor pools which require access to the back side.

Wall supports

Steel wall supports for skimmer pools

laminated into the pool wall,
per meter pool wall

Note: transportation costs may be increased

A 2 400 109 **193,28**

New! Loose self-supporting steel wall supports (galvanised)

Assembly and assembly material on site, per meter of pool wall

A 2 400 130 **495,80**

New! Fixed self-supporting steel wall supports (galvanised) laminated at the factory.

Fixing to baseplate and fixing material on site, per meter of pool wall

A 2 400 135 **584,03**

Steel wall supports for pools with an overflow system

Galvanised, for installation on site, per meter pool wall

A 2 400 107 **495,80**

Steel wall supports for pools with an overflow system

Galvanised, already laminated to the shell in the factory, excl. fixing material, fixing to the floor on site, per meter pool wall. Not for pools in segments.

A 2 400 111 **584,03**

Attention: Transport costs

on request

Service

Pool cut-outs for Riviera parts

free

New! Pool cut-out for third-party components larger than Ø76 mm, or angular up to max. 0.32 m² or 400 x 800 mm

N 3 600 001 **155,46**

Front of the pool reinforced for on-site installation of a counter current unit **(no cut out)**.

N SBZ00350200 **542,02**

New! Drilling for external jets or suction, from Ø50 mm to Ø76 mm

N 3 600 002 **74,79**

Foam cut-out (for belated installation)

N 3 600 003 **161,34**

Freight charges from German border for pool type 370, per km

N 3 600 004 **3,53**

New! Loading costs for pool loading for third-party freight forwarders

N 3 600 020 **504,20**

Additional charges for transport to Switzerland

N 9 214 000 **487,39**

Riviera Service car, per km

N 3 600 005 **1,01**

Service without expenses, Riviera Service car, per km

N 3 600 009 **1,51**

Service technician, hourly rate

N 3 600 006 **62,18**

Telescopic spreader supports for the pool installation, per piece

N SBZ 00430150 **88,24**

Repair sets

Repair set, small

white

N 6 470 210 **59,66**

blue

N 6 470 200 **59,66**

papyrus

N 6 470 240 **59,66**

Repair set, big

white

N 6 470 230 **78,99**

blue

N 6 470 220 **78,99**

papyrus

N 6 470 250 **78,99**



Laminated wall bracing

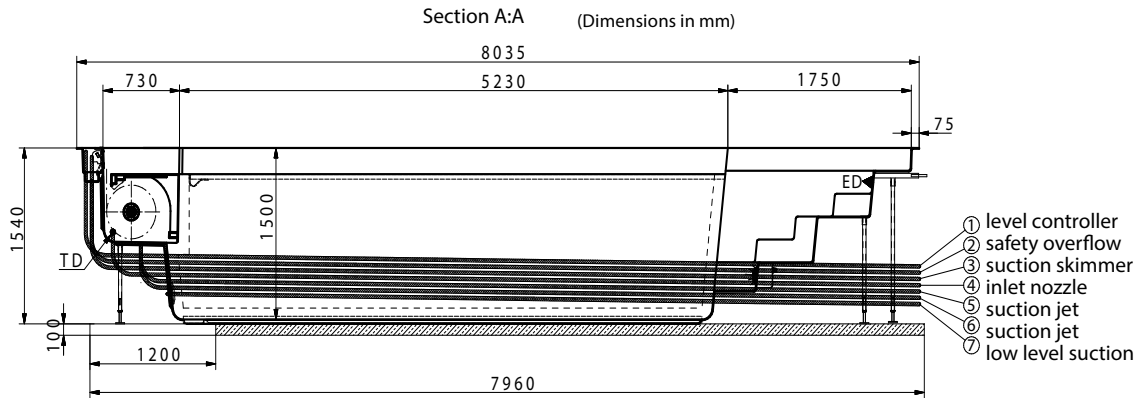


Self-supporting box supports



Wall bracing for channel basins self-supporting

Example Modena 725/320 with Integra 2-13 roller shutter shaft



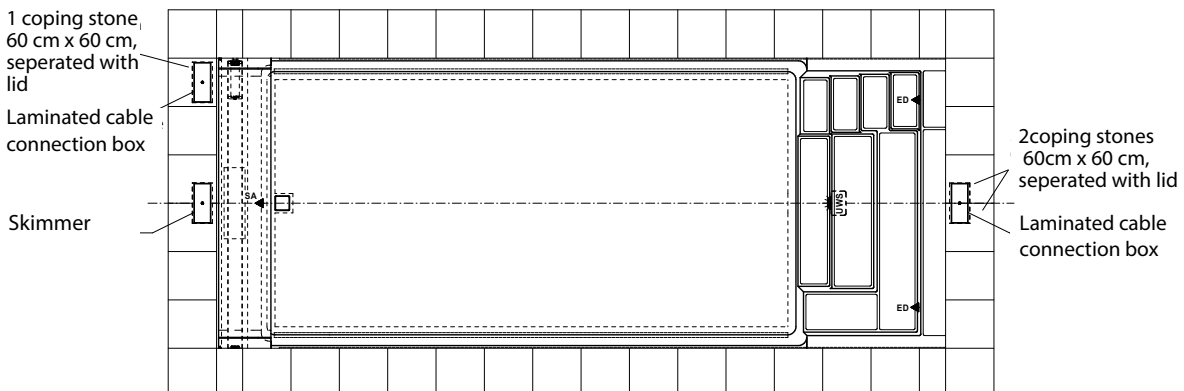
Accessories

PVC hose d50, mounted in a protective tube on the pool, including installation of the jet/nozzle and the PVC connection.
Per meter

N SBZ01650200 **32,77**

PVC hose d63, mounted in a protective tube on the pool, including installation of the jet/nozzle and the PVC connection.
Per meter

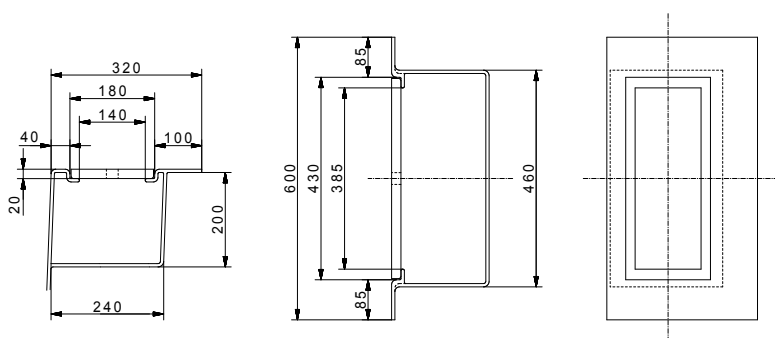
N SBZ 01650250 **36,13**



Laminated cable connection box

To insert all on-site cable junction boxes, made of GRP, laminated on the pool shell. Internal dimensions: 44 x 24 x 18 cm (L x W x H), with sealed lid 43 x 18 cm as well as drip water drain d 25 in the floor, holes for cable connections on site, extends the pool by 21,5 cm

- ① Surcharge for cutout and lid in the coping stone 60 x 60 cm A 3 020 425 **168,07**
- ② Surcharge for cutout and lid over two coping stones, 60 x 60 cm A 3 020 426 **214,29**



Technique shafts

GRP-technique shaft

Colour: white

With a surcharge it can be delivered in the following colours:

Sand, papyrus, silver grey and anthracite

Inner dimensions: 675 mm deep, 840 mm wide. The shaft can be bolted to all Riviera pools. Complete with fixing accessories. Shaft will be supplied separately and has to be bolted at the site. Dehumidifier and ventilator pre-installed.

Cover available as:

- GRP cover matching the colour of coping stones
- GRP cover as shower tray
- GRP cover prepared to be coated with stones

Shaft for counter swim units, short version:

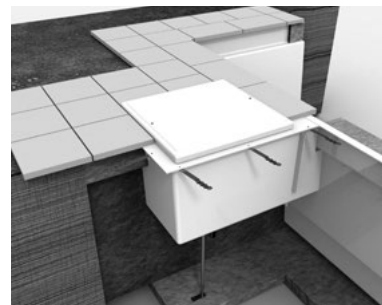
incl. 2 supporting legs

Outside dimensions:

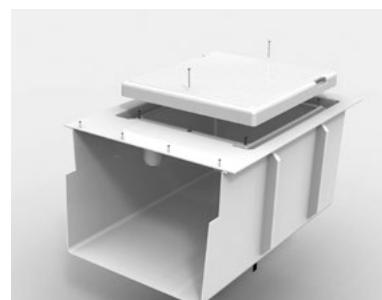
1.520 mm length, 1.100 mm width, 751 mm depth

A 2 303 135

1.571,43



GRP-technique shaft



GRP-technique shaft, short version

Shaft for counter swim units, long version:

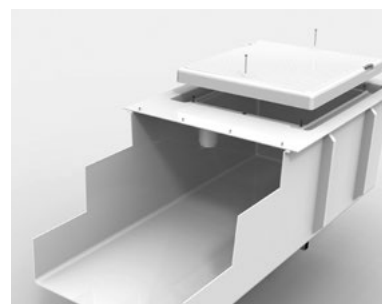
To be fixed on the side of the step-end incl. 4 supporting legs.

Outside dimensions:

2.015 mm length, 1.100 mm width, 751 mm depth

A 2 303 130

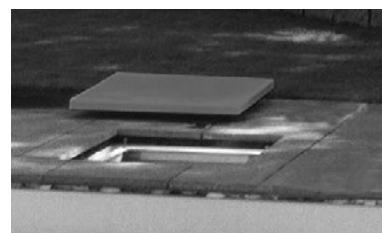
2.096,64



GRP-technique shaft, long version

Note:

The cut-outs for shafts (long version) are prepared according to the step-end in the factory.



Installed GRP-technique-shaft

GRP-multi purpose technique shaft

This shaft will be supplied unassembled incl. fixing accessories, cover and two gas assisted struts. The installation height for the filter can be adjusted and ventilator pre-installed.

GRP-multi purpose technique shaft

Installed as on the drawing available for all one-piece pools.

Upper part and cover can be delivered with a surcharge in the following colours: sand, papyrus, silver-grey and anthracite.

Dimensions: 1.601 mm length, 1.545 mm width, 1.525 mm depth.



GRP-multi purpose technique shaft for swimming pools without roller shutter cover.

GRP-multi purpose technique shaft

Installed as on the drawing available for all one-piece pools.
Upper part and cover can be delivered with a surcharge in the following colours:
sand, papyrus, silver-grey and anthracite.
Dimensions: 1.601 mm length, 1.545 mm width, 1.525 mm depth.

A 2 303 140

3.163,87



GRP-multi purpose technique shaft for swimming pools with Integra roller shutter cover.

Water tank

GRP, insulated with 30 mm PU-foam. Tank in one-piece.
Cleaning hole Ø500 mm, PVC fitting for connection to the overflow channel d110 mm, suction connection PVC d75 mm, overflow and drainage fitting.

Water tank 1.000 l capacity, dimensions: 1,00 x 1,15 x 0,80 m

A 5 310 500

2.399,16

Water tank 2.000 l capacity, dimensions: 2,00 x 1,90 x 0,80 m

A 5 320 100

3.857,14

Water level and pump control, incl. mains water solenoid valve

A 5 350 100

1.294,12



Water tank (3 x 1000 l)

Water level and pump control (above left)

Stainless steel handrail

Stainless steel polished handrail (round)

2 m long

A 2 303 080

584,03

Stainless steel handrail (round)

polished, 60 cm long, 1 Pair, vertically mounted

A 2 303 085

521,01

2 stainless steel polished handrails (round)

each 1 m long, mounted in corners

A 2 303 086

764,71

Stainless steel polished handrails (round)

50 cm long

B 2 303 040

214,29

30 cm long

B 2 303 050

197,48

Stainless steel handrail, made of square tubes, polished, **1 m long**, with 2 mounting flange and wall anchors, per piece

A 2 302 086

432,77

Stainless steel handrail, made of square tubes, polished, **2 m long**, with 2 mounting flange and wall anchors, per piece

A 2 302 080

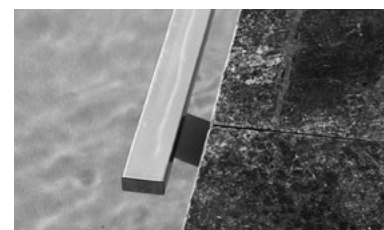
651,26



Stainless steel handrail 1 m long, round



Stainless steel handrail, round



Stainless steel handrail, made of square tubes

Extra components

Pool ladders

Of stainless steel, Ø40 mm tube. Model with 4 steps for inclined pool walls.

Model Tina

for pools with a roller shutter cover

Polished stainless steel	A 3 551 200	1.920,17
Stainless steel white coated	A 3 551 101	2.525,21

Model Tina, for pools with a overflow channel

Polished stainless steel	A 3 550 400	2.415,97
Stainless steel white coated	A 3 550 401	2.949,58



Pool ladders Modell Tina

Shower tray

Norm 115 square design of GRP with non-slip surface, incl. standpipe valve. Exterior diameters: 115 x 115 x 18,5 cm

seablue	A 2 115 002	558,82
white	A 2 115 001	558,82
two-coloured: floor white, edges blue	A 2 115 003	638,66
or floor blue, edges white	A 2 115 004	638,66



Shower tray Norm 115

Corner 135

pentagonal design of GRP with non-slip surface. Model with strainer basket, anti-swirl cover and outlet valve. External diameters: 135 x 135 x 20 cm

sea blue	A 2 135 002	1.008,40
white	A 2 135 001	1.008,40
two-coloured: floor white, edges blue	A 2 135 003	1.113,45
or floor blue, edges white	A 2 135 004	1.113,45



Corner 135

Shower with hand-held shower head

Only cold water, stainless steel tube Ø48 mm, 100 cm high, polished

A 3 552 000	575,63
-------------	---------------

Shower with hand-held shower head and mixer tap

Only cold water, stainless steel tube Ø 48 mm, 230 cm high, polished

A 3 553 000	1.147,06
-------------	-----------------

230 cm shower

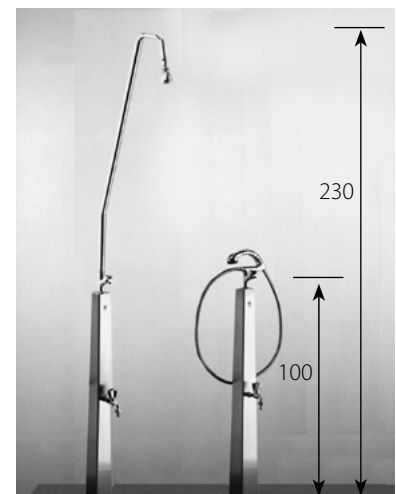
Only cold water, stainless steel tube Ø 48 mm, 230 cm high, polished

A 3 554 000	777,31
-------------	---------------

230 cm shower with mixer tap

With angular-shaped stainless steel housing and tap

A 3 555 000	1.336,13
-------------	-----------------



Shower /Shower with hand-held

New!

Decor tiles made of Ezarri glass mosaic, 21 cm high

Decor tiles made of Ezarri glass mosaic, series „Zen“ or "Iris", installed and grouted at the factory.

Price per meter A 3 916 360 **83,19**

Series and colours at: www.ezarri.com



Decor tiles made of Ezarri glass mosaic

Coping stones made of granite, grey, stone rounded to the pool side

50 x 50 x 3 cm (per m²) A 3 020 413 **105,04**

50 x 50 x 2 cm (per m²) A 3 020 414 **73,11**

Straight stone 50 x 35 x 4 cm A 3 020 410 **35,29**

Corner stone 45 x 45 x 4 cm A 3 020 411 **51,26**

Stone for radius Ø300 cm A 3 020 416 **48,74**



Coping stones Granit

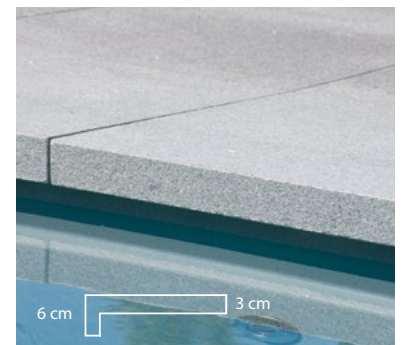
Coping stones with overhanging nose

Granite grey, mottled surface, 60 x 60 x 6.3 cm, weight: 31 kg / piece A 3 020 415 **75,63**

Extra charge for the cut out for the fiberglass skimmer incl. cover stone (lid) (for pools with two skimmers), per piece A 3 020 425 **168,07**

Extra charge for the cut out for the fiberglass skimmer incl. cover stone (lid) (for pools with one skimmer), per piece A 3 020 426 **214,29**

Paving stone, 60 x 60 x 3 cm, per unit A 3 020 412 **37,82**



Coping stones granite with overhanging nose

Freight charges and packing for coping stones

Packaging for single stones, per shipment A 3 019 600 **47,90**

Transport **Price on request**

Attention:

Ensure to add on every order two coping stones and a paving stone extra to cover wastage

Delivery time:

On request as lead times can stretch up to 10 weeks



Cover stone (lid)

PRODUCTION FACILITIES IN D-GEESTE-DALUM AND SK-TRNAVA



This list does not contain details relating to the whole swimming pool programme, whirlpools, portable spas or cold dip pools. Please request our documentation if required, or visit us at:

www.rivierapool.com

RivieraPool®

One of the leading German manufacturers of prefabricated swimming pools, pool equipment and whirlpools.
Member in the BSW.



RivieraPool Fertigschwimmbad GmbH • Klöcknerstraße 2 • 49744 Geeste-Dalum • Tel. +49 5937 660 • E-Mail: info@pools.de