

SANDFILTER Pentair Tagelus CANADISK

Pentair Pool Tagelus sandfilter er laget av glassfiberforsterket polyester med 10 års garanti på tanken og 2 år på ventilhodet.

Modell TA30D, TA40D, TA50D, TA60D og TA100D

TA40D (Deluxe) er hovedsakelig solgt i Norge siden 1998

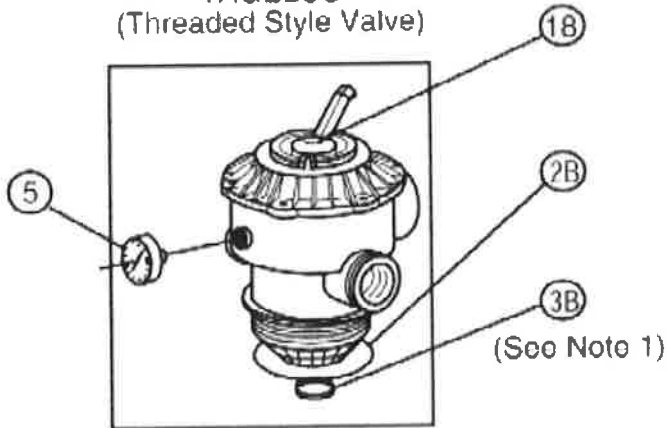
av Bassengimport, Norswim og Partnerline

Denne Canadiske modellen importeres ikke lenger til Norge.

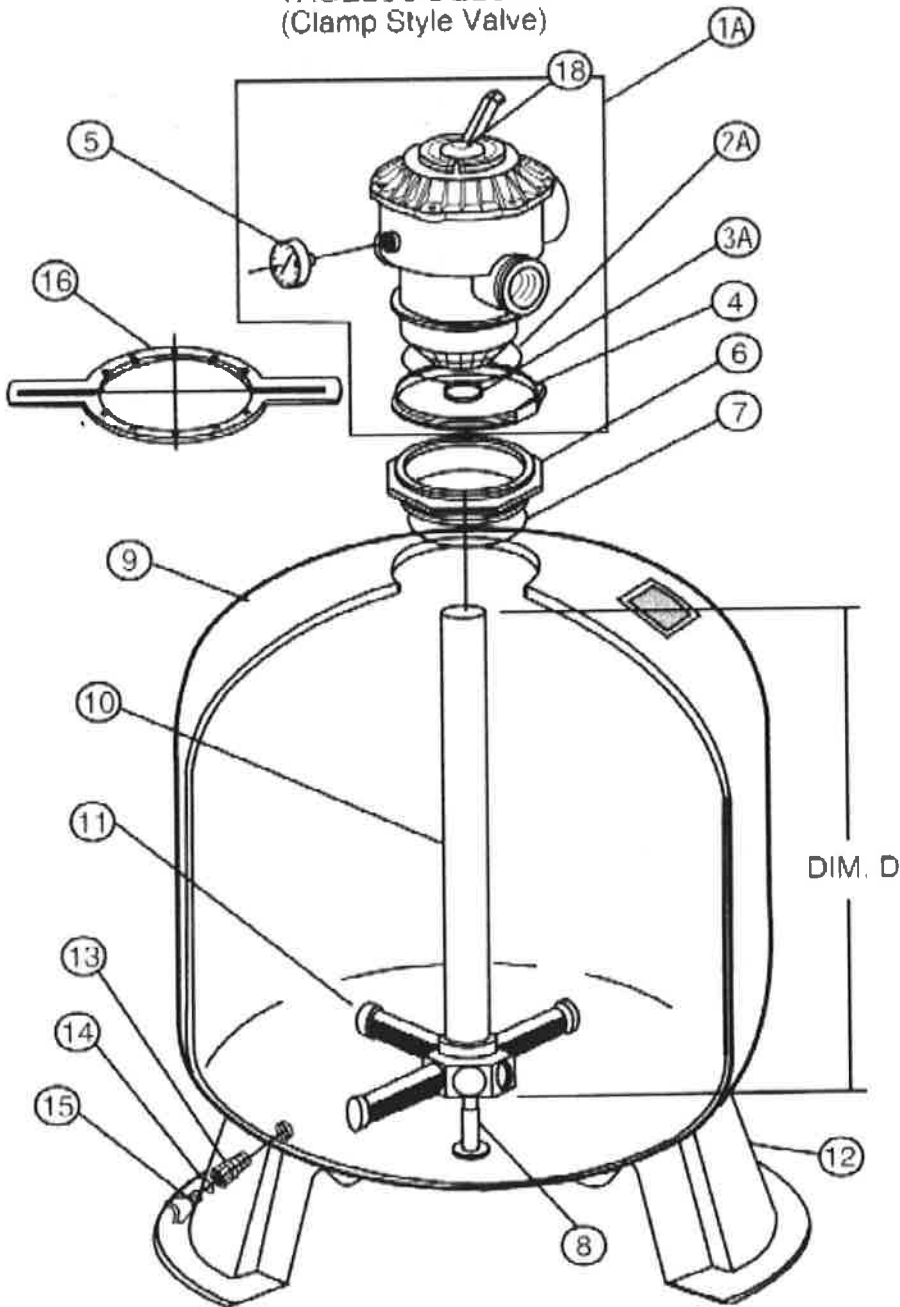
Er nå erstatten av den Europeiske utgaven hvor ventilen er annerledes alternativt modellen TRITON som er sidemontert.



TAGELUS
(Threaded Style Valve)



TAGELUS DELUXE
(Clamp Style Valve)



Reserve Deler / Replacement Parts

TAGELUS FILTERS WITH THD. & CLAMP VALVES

Item No.	Part No.	Description
1A	262506	MPV, 6-pos., 18, 20, 22 in. filter, 1½ in. port
1A	261185	Valve, 2 in. 6-way clamp style
1B	261130	Valve, 1-1/2 in. 6-way btr. thread TA,
1B	261124	Valve, 1-1/2 in. 6-way "V" thread-TA

2A	272541	O-ring valve body, 3/16 in. x 4-5/8 in. i.d.
2A	275333	O-ring valve body, 3/16/2007 in. x 6/1/2002 in. i.d.
2B	154493	O-ring valve body, 0.157 in. x 5.75 in. i.d.
3A	355330	O-ring, strainer pot flange
3B	155064	O-ring standup, 1/8 in. x 1/7/2008 in. i.d.
4	152165	Clamp, 6-1/2 in. dia. SS, plastic
4	152130	Clamp, 8.35 in. dia.
5	190059	Pressure gauge
6	154555	Adapter, 6 in. btr. Thread
6	155225	Adapter, 6 in. "V" thread
6	154521	Adapter, 8-1/2 in. btr. Thread
7	154494	O-ring adapter, 6 in.
7	355619	O-ring, seal bracket
8	155002	Stabilizer, center pipe
9	155276	Tank & ft. assembly w/valve adptr.
9	155279	Tank & ft. assembly w/valve adptr.
9	155269	Tank & ft. assembly w/valve adptr.
9	155324	Tank & ft. assembly w/valve adptr.
9	155342	Tank & ft. assembly btr. thread style
9	155343	Tank & ft. assembly btr. thread style
9	155358	Tank & ft. assembly btr. thread style
10	155060	Piping assembly, (dim. D = 12-7/8 in.)
10	153455	Piping assembly, (dim. D = 14-7/8 in.)
10	155061	Piping assembly, (dim. D = 17-3/4 in.)
10	155062	Piping assembly SD40, dim D = 20 1/8 in.
10	155063	Piping assembly, (dim. D = 22-5/8 in.)
10	155340	Piping assembly, less hub,(dim. D = 27-1/4 in.)
10	155323	Piping assembly, w/hub, (dim. D = 27-1/4 in.)
10	155299	10,20
11	155007	Lateral 5, 11/32 in. long SD35, 8 req.
11	152290	Lateral, 6-11/16 in. L TR40/50/60, SD40/SD60, 8 req.
11	152202	Lateral, 9-1/8 in. L TR100, 8 req.
11	180085	10,20
12	154926	Foot, 16 in. dia., TR40/50
12	154596	Foot, 24 in. dia., TR100/140, TR100C/TR140C, TR 100C-3/140C-3
13	154698	Spigot, 3/4 in. NPT sand drain
13	154685	Spigot, 1/2 in. NPT sand drain
13	152220	Sand drain, 2 in.
14	192115	O-ring drain plug, 1/16 in. x 1/2 in. i.d., 2 req.
15	154699	Plug wire 0.25 in. drain LGR
16	154512	Wrench, 6-1/2 in. across flats
16	151608	Wrench, 9 in. across flats
18	272599	Label top mount valve

NOT SHOWN

Item No.	Part No.	Description
	154402	Tape ft. mounting
	154407	Tape ft. mounting
	155051	Funnel, sand filling, 22, 26 & 30 in. filter
	155281	Hub, TA 30, 40, 50, 60
	152222	
	152220	Sand drain, 2 in.

- 1: TA 30
- 2: TA 30D
- 3: TA 35
- 4: TA 35D
- 5: TA 40
- 6: TA 40D
- 7: TA 50
- 8: TA 50D
- 9: TA 60
- 10: TA 60D
- 11A: TA 100
- 11B: TA 100D

12: Item 3A O-ring, standpipe is used on model TA100D Filters only. Item 3B O-ring, standpipe is used on Tagelus Filter models TA30, 40, 50, 60, manufactured before April, 1993 Item 3B is not used on Tagelus Clamp Filter models TA30D, 35D, 40D, 50D, 60D or on any Tagelus models manufactured after April, 1993

13: Tagelus Clamp Filter models tank & ft. assembly have valve adptr, Item 6 factory installed.

14: Replacement of tank ft. requires the use of mounting tape. See part number listed.

15: Lubricate O-ring liberally w/silicone lubricant and tighten to following spec: TA30D, 35D, 40D, 50D, 60D. Handtight plus 1/4 turn min. TA100 D Handtight plus 3/4 turn min.

16: Tagelus Filter models TA30, 35, 40, 50, 60 manufactured after Nov. 1, 1991 were manufactured w/a btr. thread top opening and utilize a btr. style valve which is black in color. A change was made to the port arrangement in April, 1993 which will require that minor changes be made to the valve plumbing connections when replacing valves on filters manufactured between Nov. 1991 and Mar. 1993. DO NOT ATTEMPT TO INTERCHANGE THREAD TYPES.

17: Tagelus Filter models TA30, 40, 50, 60 manufactured before Nov. 1, 1991 were manufactured w/a "V in. thread style valve that is white or brown in color. These valves may be replaced only w/"V in. thread style valve P/N 261124, see Detail B. DO NOT ATTEMPT TO INTERCHANGE THREAD TYPES.

18: Tagelus Clamp Filter models TA30D, 35D, 40D, 50D, 60D manufactured after Nov. 1, 1991 were manufactured w/a btr. thread top opening and utilize a btr. thread valve adptr. P/N 154555, see Detail A. DO NOT ATTEMPT TO INTERCHANGE THREAD TYPES.

19: Tagelus Clamp Filter models TA30D, 40D, 50D, 60D manufactured before Nov. 1, 1991 were manufactured w/a "V in. thread top opening and utilize a "V in. thread valve adptr. P/N 155225, see Detail B. DO NOT ATTEMPT TO INTERCHANGE THREAD TYPES.

20: TA60D Filters mfg after 6/07 have new 1/4 turn naturals

-  BROSURE - CANADIAN
-  FILTERS & TANKS
-  NORLAK MANUAL
-  REPLACEMENT PARTS
-  SERVICE & MAINTENANCE