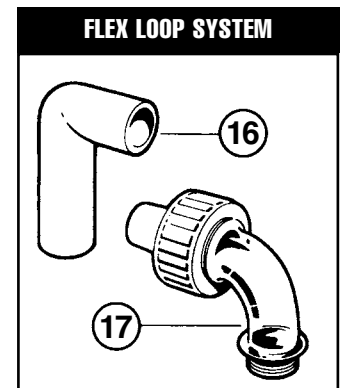
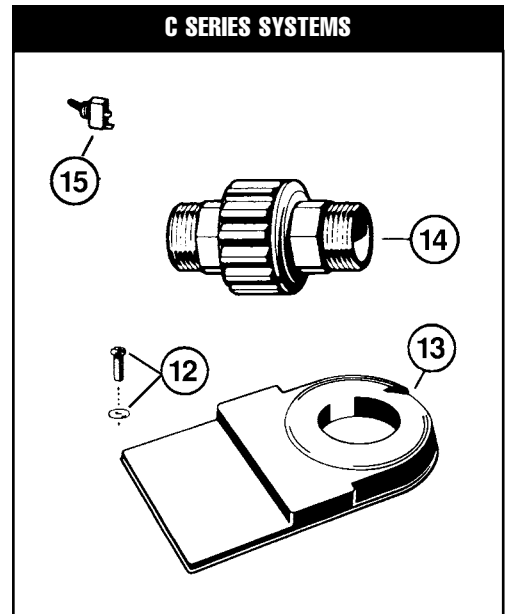
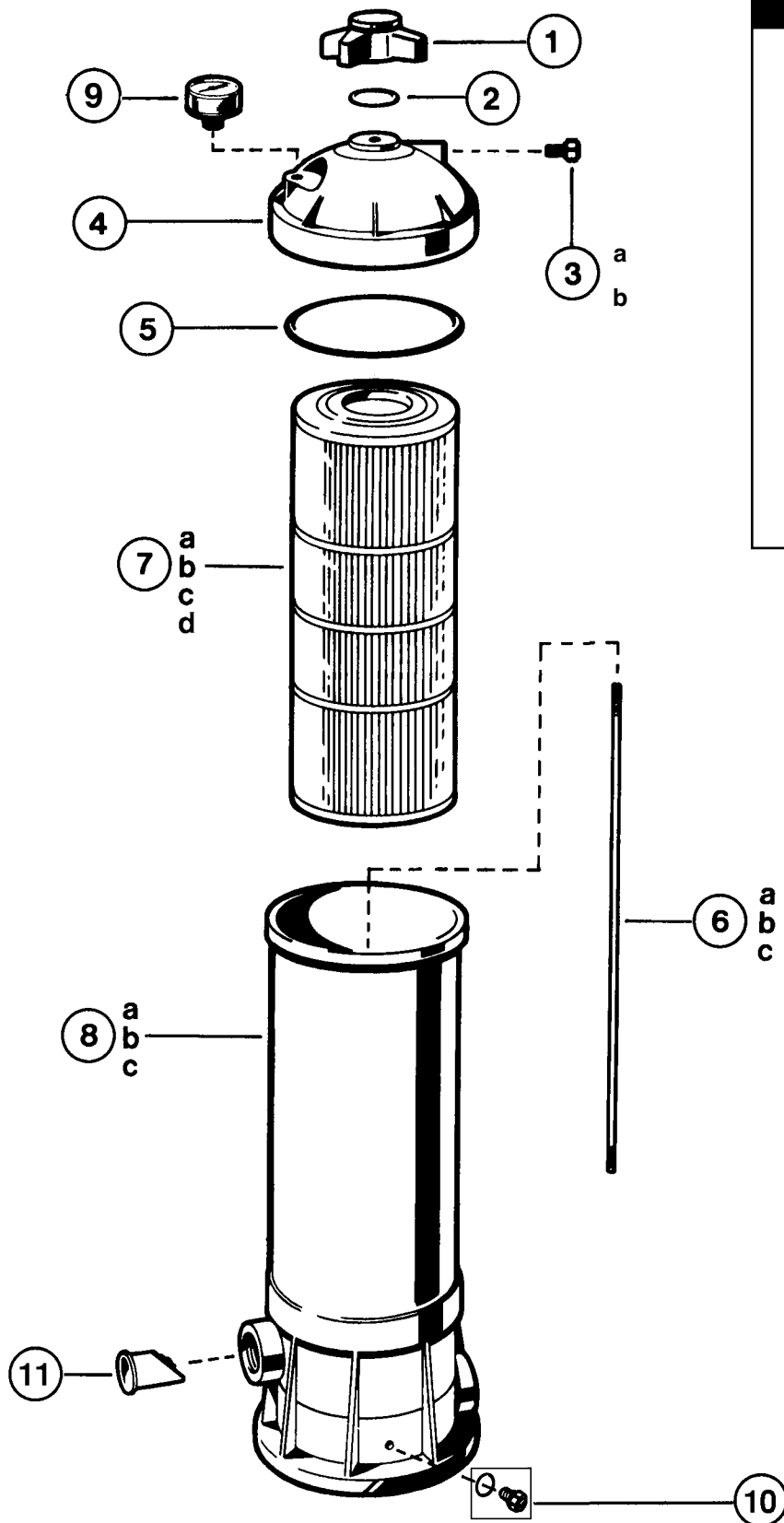




Star-Clear™

CARTRIDGE FILTER SERIES REPLACEMENT PARTS

Parts Diagram



Filters



Parts Listing

Ref. No.	Part No.	Description	Ctn. Qty.	No. Req'd	List Price
1	CX250G	Locking Knob	5	1	\$12.53
2	CX250Z7	O-Ring	10	1	1.87
3a	ECX1322A	Directional Vent Valve w/O-Ring	25	1	6.46
3b	SPX1082Z410	Relief Valve O-Ring only (Pkg. of 10)	10	—	4.24
4	CX250C	Filter Head (Dome), w/Air Relief Valve	4	1	49.19
5	CX250F	Filter Head Gasket	10	1	16.40
6a	CX250Z2S	Tie Rod (C250), 18 9/32"	1	1	38.11
6b	CX500Z2S	Tie Rod (C500), 28 3/32"	1	1	49.35
6c	CX750Z2S	Tie Rod (C750, C100), 38 1/16"	1	1	65.78
7a	CX250RE	Cartridge Element (C250)	1	1	36.10
7b	CX500RE	Cartridge Element (C500)	1	1	59.00
7c	CX750RE	Cartridge Element (C750)	1	1	79.00
7d	CX1000RE	Cartridge Element (C100)	1	1	99.70
8a	CX250AA1	Filter Body w/Tie Rod Assembly (C250)	1	1	223.76
8b	CX500AA1	Filter Body w/Tie Rod Assembly (C500)	1	1	235.41
8c	CX750AA1	Filter Body w/Tie Rod Assembly (C750, C100)	1	1	305.71
9	ECX27091	Pressure Gauge, back mount	10	1	15.59
10	CX250Z14A	Drain Plug Kit	10	1	3.45
11	ECX4077B1	Check Valve (optional)	10	1	10.92

C SERIES SYSTEMS

—	SPX1250WA	6 Ft. Cord Set – No. 14/3 AWG	10	1	\$14.54
—	SPX1550WA	25 Ft. Cord Set – No. 14/3 AWG	5	1	42.42
—	ECX1248	Cord Strain Relief	5	1	3.05
12	ECX1108A	Pump Mounting Screw w/Washer	25	2	2.54
13	EC1161PAK	Platform Base w/Screws – Low Profile	2	1	—
14	SP1480BLK	1 1/2" Male Union	50	1	14.11
15	ECX1325	Switch Assembly	5	1	10.66

MODULAR FLEX LOOP SYSTEMS

16	ECX1326A	Flex Loop Elbow	5	—	\$11.10
17	SPX14853	Sweep Elbow Union Assembly	5	—	31.61

Filters