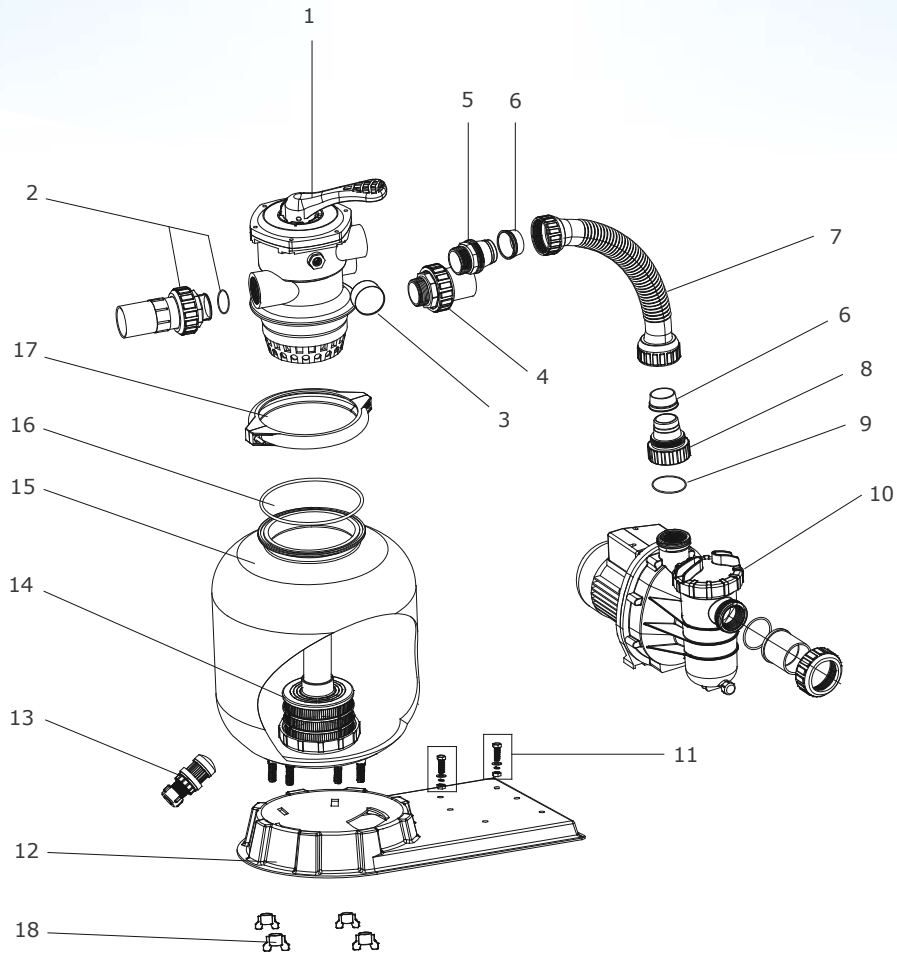


SPARE PARTS

Mega Filtration system FSF350



Mega Filtration system FSF350

NR.	DESCRIPTION	PART NR. INCLUDES	ITEMNR. MEGA
1	Mega 1,5" Top Mount Valve (6 way) clamp lock	1	0891918
2	Union 1 1/2" With Sight Glass & O-Ring	1	7009364
3a	Oil pressure gauge with O-Ring 0-60 Psi back connection	1	7009341
3b	Connector for pressure gauge	1	7009306
4	Union set (2pcs) 1 1/2" with O-Ring	1	7009365
5	Hose adaptor with O-Ring	1	7009354
6	Sleeve for hose	2	7009330
7	Plastic hose with nut	1	7009359
8	Hose adaptor with nut	1	7009290
9	O-Ring for pump	1	7009337
10a	Hydro-S Pool pump SS033	1	0950095
11	Pump Assembly Screw	2	
12	Combo Base	1	
13	Water drain set	1	7009343
14	Lateral Assembly with Center Pipe	1	7011017
15	Filter tank	1	
16	O-Ring for filter neck	1	7009338
17	Clamp kit	1	7009347
18	Fastener for Filter base	4	