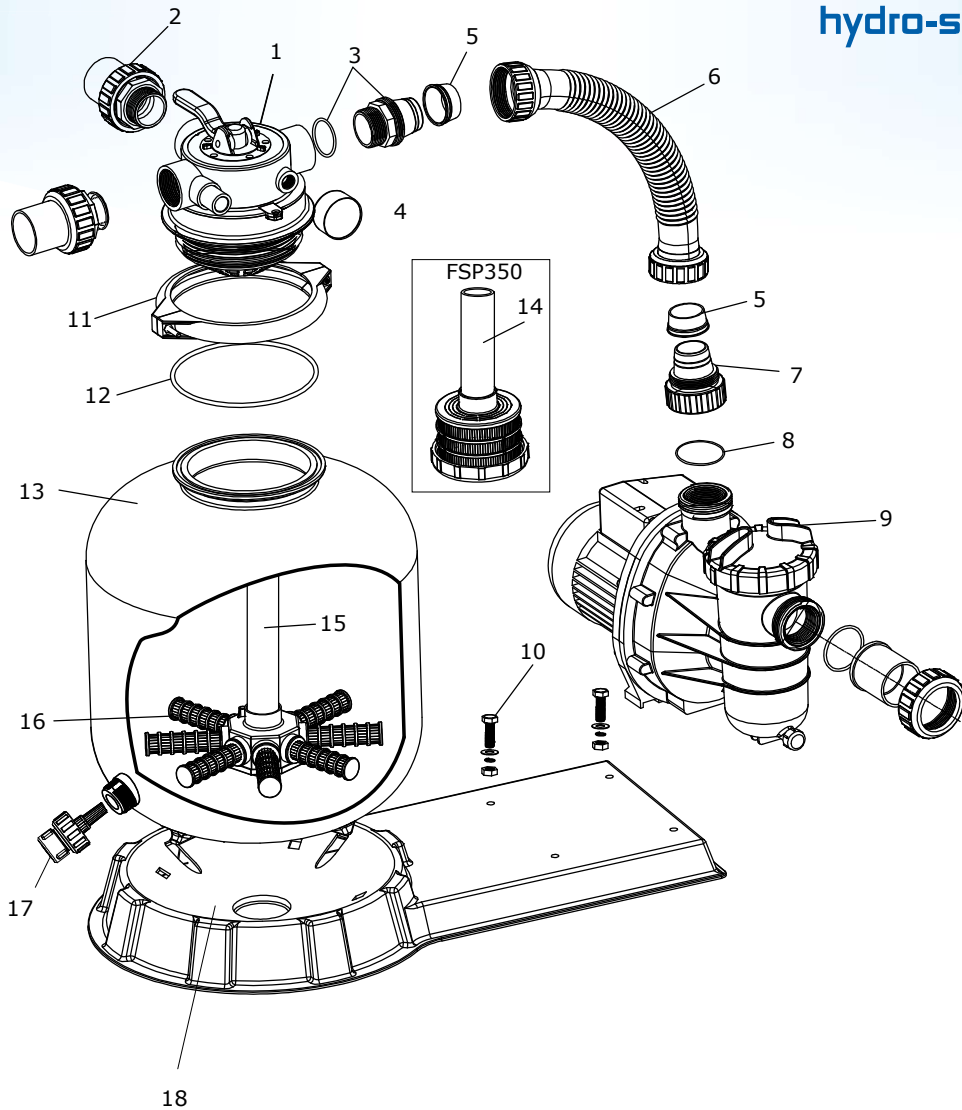


SPARE PARTS

Pool Filtration system FSP350 - FSP500



Pool Filtration system FSP350 - FSP500

NR.	DESCRIPTION	FOR FILTER SET	PART NR. INCLUDES	ITEMNR. MEGA
1	Mega 1,5" Top Mount Valve (4 way) clamp lock		1	0891914
2	Union set (2pcs) 1 1/2" with O-Ring		1	7009365
3	Hose adaptor with O-Ring		1	7009354
4a	Oil pressure gauge with O-Ring 0-60 Psi back connection		1	7009341
4b	Connector for pressure gauge		1	7009306
5	Sleeve for hose		2	7009330
6a	Plastic hose with nut	FSP350	1	7009355
6b	Plastic hose with nut	FSP400	1	7009356
6c	Plastic hose with nut	FSP450	1	7009357
6d	Plastic hose with nut	FSP500	1	7009358
7	Hose adaptor with nut		1	7009290
8	O-Ring for pump		1	7009337
9a	Hydro-S Pool pump SS020	FSP350	1	0950094
9b	Hydro-S Pool pump SS033	FSP400	1	0950095
9c	Hydro-S Pool pump SS050	FSP450	1	0950099
9d	Hydro-S Pool pump SS075	FSP500	1	0950089
10	Pump Assembly Screw		2	
11	Clamp kit		1	7009347
12	O-Ring for filter neck		1	7009338
13a	Filter Tank	FSP350	1	
13b	Filter Tank	FSP400	1	
13c	Filter Tank	FSP450	1	
13d	Filter Tank	FSP500	1	
14	Lateral Assembly with Center Pipe	FSP350	1	7011017
15a	Standpipe with hub	FSP400	1	
15b	Standpipe with hub	FSP450	1	
15c	Standpipe with hub	FSP500	1	
16a	Laterals 115mm	FSP400-FSP450	8	7009308
16b	Laterals 126mm	FSP500	8	7009309
17	Water drain set		1	7009346
18a	Combo Base	FSP350	1	
18b	Combo Base	FSP400-FSP450-FSP500	1	