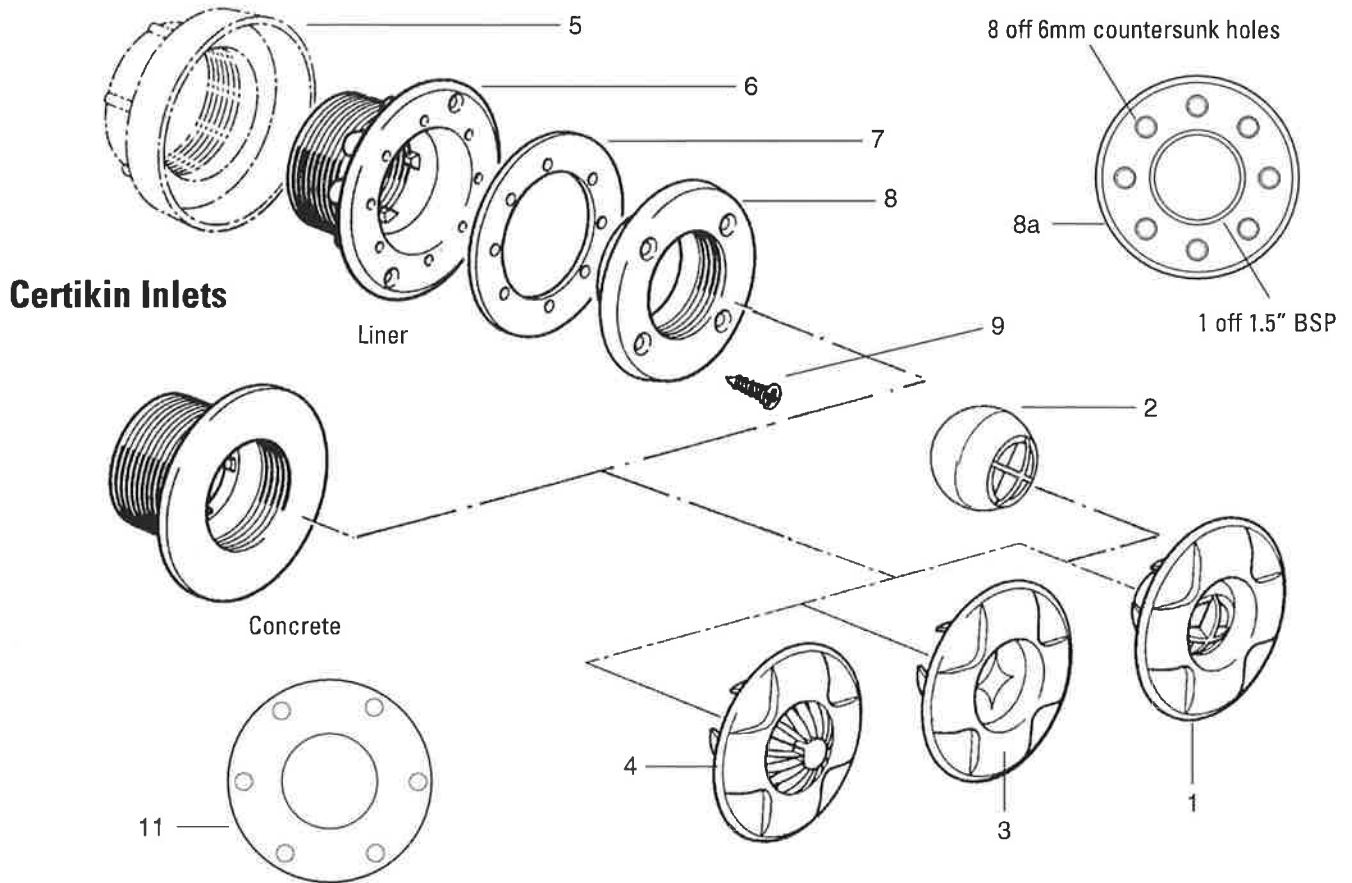
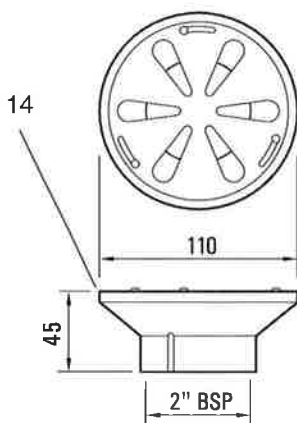


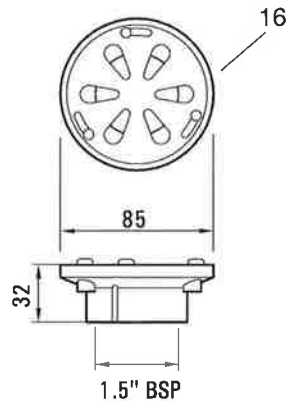
Pool fittings



HD502

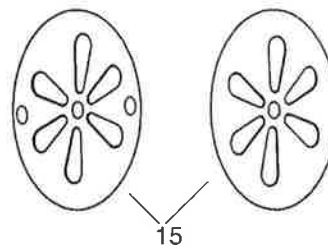


CK5015



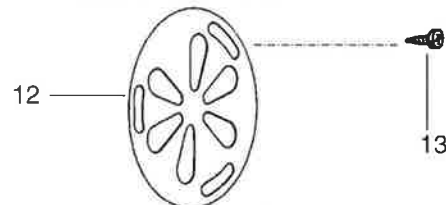
CK50

CK5015 1.5" Inlet (Chrome / Brass)
CK502 2" Inlet (Chrome / Brass)



HD50

HD5015 1.5" Inlet (ABS)
HD502 2" Inlet (ABS)



Product Information	Manufacturers Code	Item No:	Certikin Code	Product Description	Price €
				Certikin Inlets & Vacuum Points	
1 required		1	SPC487	Eyeball Housing Only - Liner / Concrete	3.52
1 required		2	SPC488	Eyeball Only - Liner / Concrete	2.94
1 required		3	SPC332	Vac Cover Plate - Liner / Concrete	4.80
1 required		4	SPC490	Grill Cover Plate - Liner / Concrete	4.16
1 required		5	SPC493	Panel Pools Backnut	6.40
1 required		6	SPC492	Inlet Body - Liner	7.94
1 required		7	SPC333	Gasket - Liner	1.84
1 required		8	SPC494	4 Hole Faceplate - Liner	5.63
1 required		8a	SPC4948	8 Hole Faceplate - Liner	6.21
1 required		9	SPC405P/25	Screw No:12 x 7/8" - Pack of 25	3.74
1 required		11	SPC485	Old to New Liner Conversion Plate	27.07
2 required		12	SPC390	2" ABS Petal Inlet Plate	3.69
2 required		12	SPC387	1.5" ABS Petal Inlet Plate	3.24
1 required		13	SPC388/10	6 x 3/8" S/S Screw for HD502 & HD5015- Pack of 10	6.08
1 required		14	SPC389	2" ABS Body Only	3.38
			SPHD53L	Inlet Spare Parts Kit - HD53L Only (Inc Flange, gasket, Eyeball & Screws)	SMPL
1 per assembly		16	SPC393 SPC394/10	CK5015 1.5" Adj Chrome Inlet Cover Top Plates - Stainless Steel Base Plate Screws - Pack of 10	18.18 6.54
1 per assembly 4 per assembly		15	SPC374 SPC399/10 SPC394/10	CK502 2" Adj Chrome Inlet S/S Drilled Petal Plates C/W Screws Top Plate Screw - Pack of 10 Base Plate Screw - Pack of 10	21.50 10.47 6.54

Pool fittings

The above prices are exclusive of delivery and VAT

A5