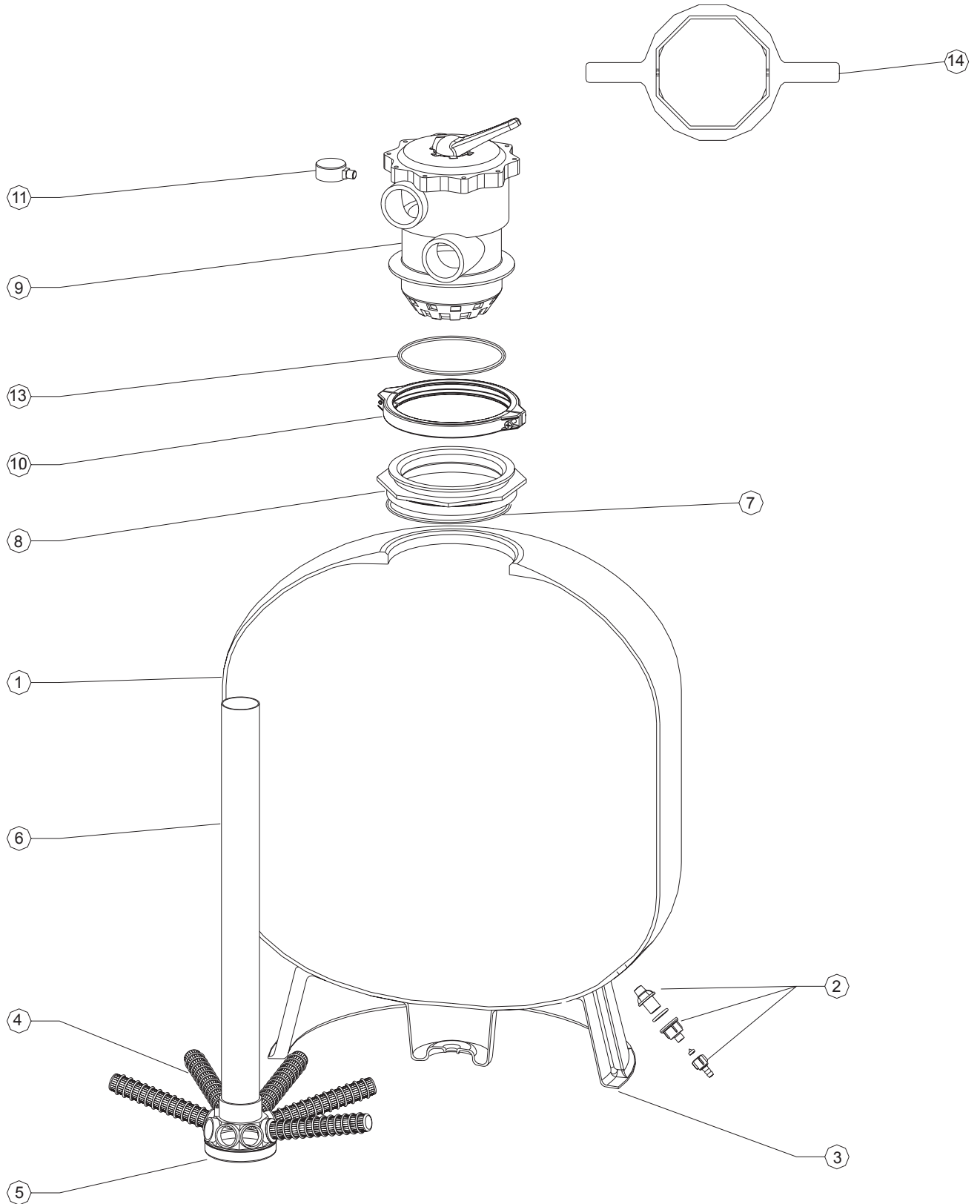
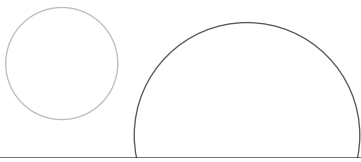


Tagelus™ Sand Filter

Replacement Parts





Tagelus™ Sand Filter

Replacement Parts

| Tagelus™ Sand Filter | | | |
|----------------------|--------------|--|--------------|
| Item n° | reference | description | qty./ filter |
| 1 | --- | Tagelus shell | 1 |
| 2 | G-15-4695 | drain kit - complete | 1 |
| 3 | G-15-4926 | base for F-19T6-TAG/F-24T6-TAG | 1 |
| | G-15-4596 | base for F-30T8-TAG | 1 |
| 4 | G-30-1904 | lateral for F-19T6-TAG | 6 |
| | G-30-2404 | lateral for F-24T6-TAG | 6 |
| | G-30-3004 | lateral for F-30T8-TAG | 8 |
| 5 | G-SS6-025 | hub laterals for F-19T6-TAG/F-24T6-TAG | 1 |
| | G-SS8-025 | hub laterals for F-30T8-TAG | 1 |
| 6 | G-PVC-5018/1 | PVC pipe for F-19T6-TAG | 1 |
| | G-PVC-5018/2 | PVC pipe for F-24T6-TAG | 1 |
| | G-PVC-6319 | PVC pipe for F-30T8-TAG | 1 |
| 7 | G-15-4493 | O-ring closure for F-19T6-TAG/F-24T6-TAG | 1 |
| | G-15-2501 | O-ring closure for F-30T8-TAG | 1 |
| 8 | G-15-5225 | Adaptor for F-19T6-TAG/F-24T6-TAG | 1 |
| | G-15-4514 | Adaptor for F-30T8-TAG | 1 |
| 9 | E-27-2026ND | valve for F-19T6-TAG/F-24T6-TAG | 1 |
| | E-27-2029 | valve for F-30T8-TAG | 1 |
| 10 | E-27-2025 | clamp for F-19T6-TAG/F-24T6-TAG | 1 |
| | E-27-2028 | clamp for F-30T8-TAG | 1 |
| 11 | G-15-2047 | pressure gauge | 1 |
| Not Shown | G-15-5051 | sand guide | 1 |
| 13 | G-28-1008 | O-ring for F-19T6-TAG/F-24T6-TAG | 1 |
| | G-25-0001 | O-ring for F-30T8-TAG | 1 |
| 14 | G-15-4512 | wrench closure for F-19T6-TAG/F-24T6-TAG | 1 |
| | G-15-1608 | wrench closure for F-30T8-TAG | 1 |
| not shown | G-28-1013 | Center O-ring for 1 1/2" valve | 1 |
| | G-28-1009 | Center O-ring for 2" valve | 1 |

PS: Item 14 = wrench only standard included with F-19T6-TAG & F-24T6-TAG

TAGELUS - service tools

| reference | description |
|-----------|------------------------------------|
| G-54-2090 | Sandvak (vacuum sand drain system) |