

WHIRLPOOLS

FOR PUBLIC APPLICATION

PRICE LIST 2021 Valid from 01/01/ until 31/12/2021

Sales price in Euro excl. VAT



www.rivierapool.com

RivieraPool[®]
PREFABRICATED SWIMMING POOLS • WHIRLPOOLS

Riviera public Spas for public areas



Roman public 285 on a cruise ship.



Roman public 255 in a private wellness area.



Octagon public 355 K in a hotel, fitness and wellness area.

Riviera Public Spas

Riviera Public Spas are built-in models which, due to their stability and durability, are frequently installed in both commercial properties and private wellness areas for decades. We are manufacturing whirlpools with overflow gutters for well-known manufacturers of water treatment since the early 80s. Hardly any other manufacturer offers such stability for your commercial investments.

The whirlpools are installed and surrounded with mosaic, ceramic or natural stone. For private use, the RivieraPool technology is available pre-assembled as a technical skid pack. In order to guarantee a continuous water overflow, at least one overflow collector tank of 1000 ltr. capacity with automatic water level regulation will be installed, depending on the chosen model.

As the first „Made in Germany“- produced whirlpools, they are built according to DIN guidelines and compatible with all European standards for hotels, fitness centers and cruise ships. Since many years our whirlpools are the first choice by planners and architects. Through our commitment, RivieraPool was the first manufacturer to consistently implement DIN requirements such as mentioning the number of seats etc. in its models.

Placement of orders

The complete Riviera whirlpool product range is distributed exclusively through specialized companies operating in the sectors of swimming pools, saunas, sanitary or heating construction, who, with their own specialized staff, are able to handle the planning and installation and thus be reliable partners for customers and architects.

When signing a contract with one of our dealers, we advise you to agree on the general terms and conditions for the execution of construction work (VOB Part B).

Installation costs

This list does not contain prices for local installation, as this is always calculated by the supplying specialist company. The local specialist company will calculate the prices for planning, assembly, installation, piping material and other services included in the sales contract.

Transportation costs

The prices in this list are generally quoted ex works. For delivery within Germany and Benelux, the following freight rates apply (prices in Euro without VAT):

Public whirlpools with gutter:	€ 550,42
Water tank 1000 ltr.	€ 239,50
Water tank 2000 ltr.	€ 298,32
Surcharge for on-time delivery and/or lifting platform/ lifting cart:	€ 130,25

Any additional costs for e.g. border clearance, ferry, rail loading etc. will be passed on to the recipient a net basis.

Packaging on a pallet. Special packaging for sea shipment etc. is possible at extra charge.

Material and colours

Riviera whirlpools are thermoformed in one piece, 4 mm thick with glas fibre reinforced polyester fabric and insulated with polyurethane foam. Adjustable feet and supporting frames are solidly laminated. This ensures stability and a solid long lasting investment.

Installation parts

All inlets, jets and nozzles are made of red brass/bronze. The visible surfaces are available in the following designs:

Standard:	Polished stainless steel
On request:	White powder-coated RAL 9010

A large variety of different models can be put together from the RivieraPool program.

- The price of your whirlpool depends on your preferences.
- Your dealer will advise you and your architect-, will plan the entire construction. Afterwards the dealer assembles it with his professional technicians.
- The manufacturer delivers the complete pool system with special trucks or forwarders directly to the construction site.
- The movement on site has to be organized by the customer.
- Electrical, heating and sewer connections are to be organized by the customer.

Pricing example

For a holiday hotel - 12 bathing guests per hour

Roman public 255, white	14.411,76
8 Gutter supports	incl.
Gutter cover grating	1.899,16
Floor drain Ø200 with 90° angle	575,63
2 small underwater lights 50 W with thermal protection	890,76
Transformer 100 VA	176,47
2 stainless steel pipe elbows, white powder-coated with Rilsan	848,74
Hot tap sampling point, 2 suction fitting-BK 2", face plate Ø130 mm	525,21
8 x Minijet 19 inlet incl. pump set up to 38 m³/h, 2.2 kW-400 V	7.025,21
3 water tanks á 1000 l with level control system	8.491,60
Motor blower ES 142 with PN remote control	1.844,54
Circulation capacity 36-39 m³ /h, heating capacity 70 kW, automatic measuring and control system for chlorine and pH correction	ca. 26.084,03
Freight charges	550,42
	€ 63.323,53

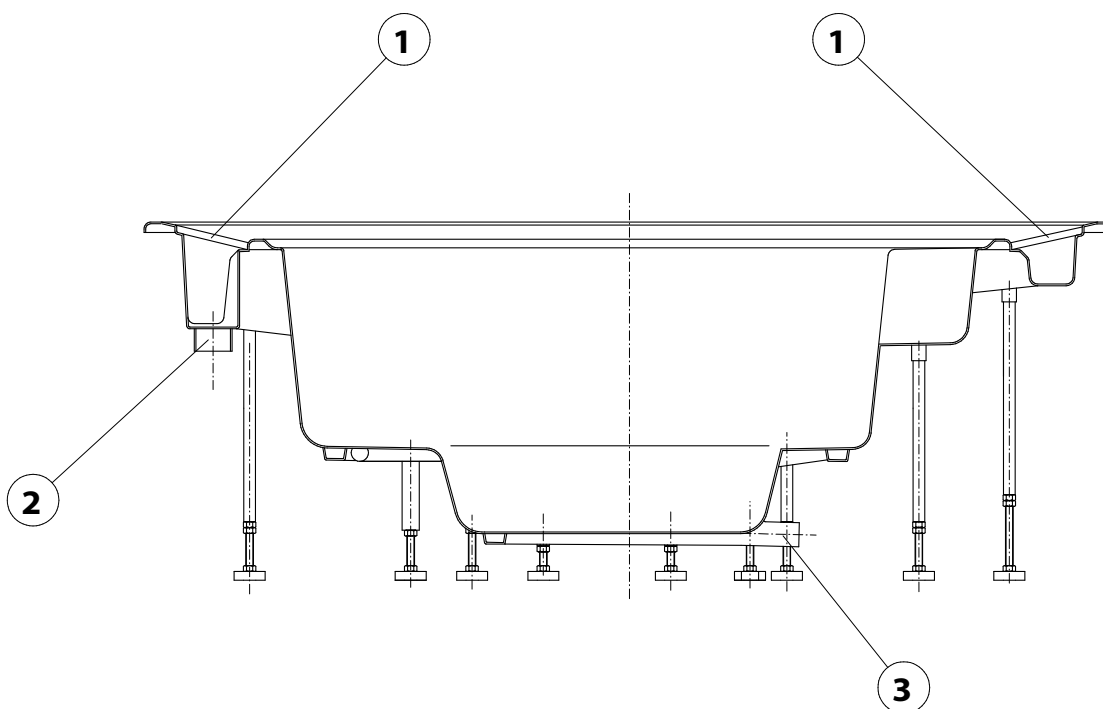
Whirlpools for public areas

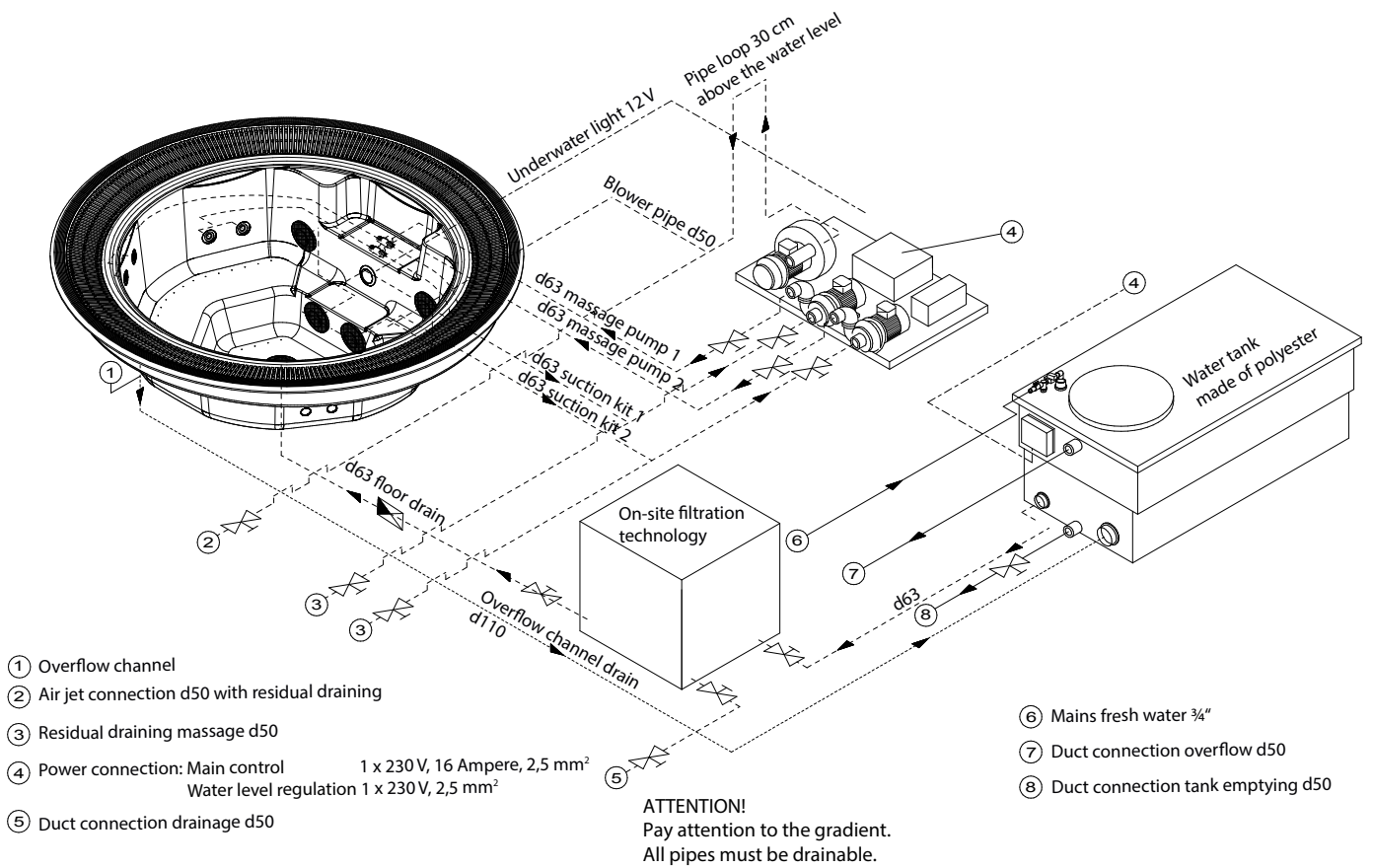
Riviera Public Spas are particularly designed and suited for continuous use in public areas.

As standard you will receive the following basic equipment:

- Full 360° overflow gutter in white, with non-slip edge
- 5 cm raised gutter edge to increase the water volume
- Inclined overflow gutter for better flood water absorption
- ① - Overflow gutter with non-slip surface according to DIN
- Sloping overflow wall for noise reduction
- Large overflow channel volume
- Overflow gutter
- Sloping overflow channel wall with inclination to the overflow drain
- ② - 1 overflow drain of the channel d100 at the lowest point of the channel
- Whirlpool surface made of thermoformed acrylic
- Solid GFK reinforcement
- Support frame with adjustable feet
- Clearly visible entrance
- ③ - Self-supporting construction with eight channel supports
- Air channel with ABS nozzles in seat and floor area, connection d63
- Anti-slip step covering

Riviera public Spas can also be used for private purposes. The above mentioned advantages are even more important in this case.





Whirlpools for public areas

Roman 255 public

Mounted overflow channel made of polyester in white. 1 channel drain d110 for max. 30 cbm/h circulation capacity. Air channel with 70 nozzles, circumferential seating bench, entry steps with Anti-slip step covering, built-in support frame with 4 adjustable feet, incl. adapter sleeves for 8 channel supports, capacity 1420 ltr. (flat version 1370 ltr.), person index according to DIN: 4

White	B 1 314 01	€ 14.411,76
Sea blue	B 1 314 02	€ 14.684,87
Anthracite	B 1 314 25	€ 14.936,97
Limestone	B 1 314 26	€ 14.936,97

Roman 255 flat public

White	B 1 315 01	€ 13.747,90
Sea blue	B 1 315 02	€ 13.861,34
Anthracite	B 1 315 25	€ 14.268,91
Limestone	B 1 315 26	€ 14.268,91

Overflow channel grating

made of hard PVC in white

B 5 070 000	€ 1.899,16
-------------	------------

Two-part overflow channel incl. installation material (channel leg supports obligatory), additional price

B 1 388 000	€ 2.126,05
-------------	------------

Insulating cover, white (5 mm foam)

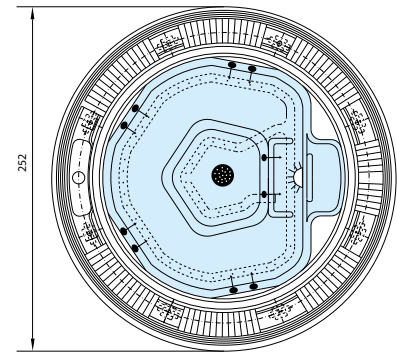
C 5 260 022	€ 697,48
-------------	----------

Freight charges

N 9 200 130	on request
-------------	------------

If the channel supports are not used, the overflow gutter must be adequately supported on site! Obligatory for installation gutter.

ROMAN 255 PUBLIC



Please refer to the technical data sheets for exact internal and external dimensions!

Roman 285 public

Mounted overflow channel made of polyester in white. 1 channel drain d110 for max. 30 cbm/h circulation capacity. Air channel with 70 nozzles, circumferential seating bench, entry steps with Anti-slip step covering, built-in support frame with 4 adjustable feet, incl. adapter sleeves for 8 channel supports, capacity 2020 l (flat Version 1900 l), person index according to DIN: 5

White	B 1 318 01	€ 16.453,78
Sea blue	B 1 318 02	€ 16.743,70
Anthracite	B 1 318 25	€ 17.109,24
Limestone	B 1 318 26	€ 17.109,24

Roman 285 public flat

White	B 1 319 01	€ 15.710,08
Sea blue	B 1 319 02	€ 16.016,81
Anthracite	B 1 319 25	€ 16.445,38
Limestone	B 1 319 26	€ 16.445,38

Overflow Channel grating

made of hard PVC in white

B 5 032 000	€ 2.134,45
-------------	------------

Two-part overflow channel, incl. installation material (channel leg supports obligatory), additional price

B 1 387 000	€ 2.701,68
-------------	------------

Insulating cover, white (5 mm foam)

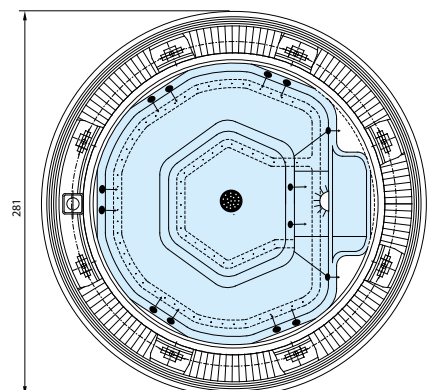
C 5 260 010	€ 764,71
-------------	----------

Freight charges

N 9 200 130	on request
-------------	------------

If the channel supports are not used, the overflow gutter must be adequately supported on site! Obligatory for installation gutter.

ROMAN 285 PUBLIC



Please refer to the technical data sheets for exact internal and external dimensions!

Octagon 255 public

Mounted overflow channel made of polyester in white. 1 channel drain d110 for max. 30 cbm/h circulation capacity. Air channel with 70 nozzles, circumferential seating bench, entry steps with Antislip step covering, built-in support frame with 4 adjustable feet, incl. adapter sleeves for 8 channel supports, capacity 1450 l (flat Version 1370 l), person index according to DIN: 4

White	B 1 311 01	€ 14.411,76
Sea blue	B 1 311 02	€ 14.684,87
Anthracite	B 1 311 25	€ 14.936,97
Limestone	B 1 311 26	€ 14.936,97

Octagon 255 public flat

White	B 1 321 01	€ 13.747,90
Sea blue	B 1 321 02	€ 13.861,34
Anthracite	B 1 321 25	€ 14.268,91
Limestone	B 1 321 26	€ 14.268,91

Overflow channel grating

made of hard PVC in white

B 5 051 000	€ 1.899,16
-------------	------------

Two-part overflow channel, incl. installation material (channel leg supports obligatory), additional price

B 1 384 000	€ 2.126,05
-------------	------------

Insulating cover, white (5 mm foam)

C 5 260 011	€ 710,08
-------------	----------

Freight charges

N 9 200 130	on request
-------------	------------

If the channel supports are not used, the overflow gutter must be adequately supported on site! Obligatory for installation gutter.

Octagon 285 public

Mounted overflow channel made of polyester in white. 1 channel drain d110 for max. 30 cbm/h circulation capacity. Air channel with 70 nozzles, circumferential seating bench, entry steps with Anti-slip step covering, built-in support frame with 4 adjustable feet, incl. adapter sleeves for 8 channel supports, capacity 2100 l (flat Version 1970 l), person index according to DIN: 5

White	B 1 316 01	€ 16.453,78
Sea blue	B 1 316 02	€ 16.743,70
Anthracite	B 1 316 25	€ 17.109,24
Limestone	B 1 316 26	€ 17.109,24

Octagon 285 public flat

White	B 1 317 01	€ 15.710,08
Sea blue	B 1 317 02	€ 16.016,81
Anthracite	B 1 317 25	€ 16.445,38
Limestone	B 1 317 26	€ 16.445,38

Overflow channel grating

made of hard PVC in white

B 5 042 000	€ 2.134,45
-------------	------------

Two-part overflow channel, incl. installation material (channel leg supports obligatory), additional price

B 1 385 000	€ 2.701,68
-------------	------------

Insulating cover, white (5 mm foam)

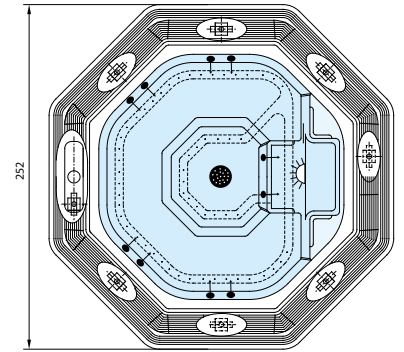
C 5 260 012	€ 773,11
-------------	----------

Freight charges

N 9 200 130	on request
-------------	------------

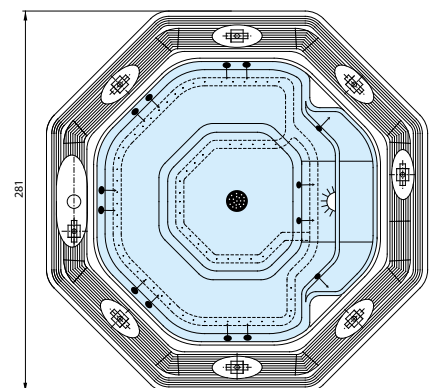
If the channel supports are not used, the overflow gutter must be adequately supported on site! Obligatory for installation gutter.

OCTAGON 255 PUBLIC



Please refer to the technical data sheets for exact internal and external dimensions!

OCTAGON 285 PUBLIC



Please refer to the technical data sheets for exact internal and external dimensions!

Whirlpools for public areas

Octagon 355 L public

Mounted overflow channel made of polyester in white. 2 channel drains d110 for max. 60 cbm/h circulation capacity. Air channel system with 70 nozzles, circumferential seating bench, entry steps with Anti-slip step covering, 100 cm wide steps on the long side, built-in support frame with 5 adjustable feet, incl. adapter sleeves for 8 channel supports, capacity 2300 l, person index according to: 6

White	B 1 306 01	€ 20.075,63
Sea blue	B 1 306 02	€ 20.449,58
Anthracite	B 1 306 25	€ 20.924,37
Limestone	B 1 306 26	€ 20.924,37

Overflow Channel grating made of hard PVC in white B 5 060 000 € 2.365,55

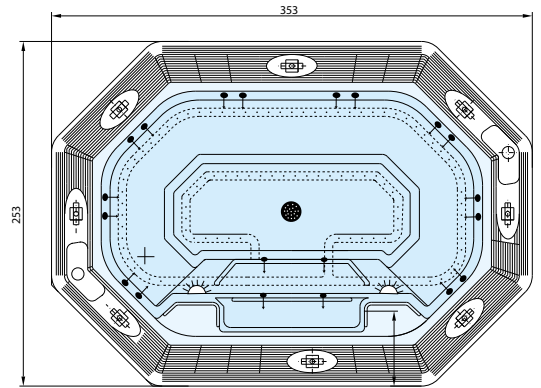
Two-part overflow channel, incl. installation material (channel leg supports obligatory), additional price B 1 386 000 € 2.705,88

Insulating cover, white (5 mm foam) C 5 260 013 € 983,19

Freight charges N 9 200 130 on request

If the channel supports are not used, the overflow gutter must be adequately supported on site!
Obligatory for installation gutter.

OCTAGON 355 L PUBLIC



Please refer to the technical data sheets for exact internal and external dimensions!

Octagon 355 K public

Mounted overflow channel made of polyester in white. 2 channel drains d110 for max. 60 cbm/h circulation capacity. Air channel system with 77 nozzles, circumferential seating bench, entry steps with Anti-slip step covering, 50 cm wide steps in the front, built-in support frame with 5 adjustable feet, incl. adapter sleeves for 6 channel supports, capacity 2300 l, person index according to: 6

White	B 1 307 01	€ 20.075,63
Sea blue	B 1 307 02	€ 20.449,58
Anthracite	B 1 307 25	€ 20.924,37
Limestone	B 1 307 26	€ 20.924,37

Overflow Channel grating made of hard PVC in white B 5 060 000 € 2.365,55

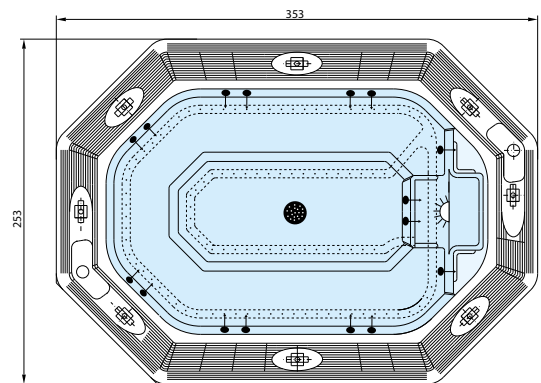
Two-part overflow channel, incl. installation material (channel leg supports obligatory), additional price B 1 386 000 € 2.705,88

Insulating cover, white (5 mm foam) C 5 260 013 € 983,19

Freight charges N 9 200 130 on request

If the channel supports are not used, the overflow gutter must be adequately supported on site!
Obligatory for installation gutter.

OCTAGON 355 K PUBLIC



Please refer to the technical data sheets for exact internal and external dimensions!

Bottom inlet Ø200 mm

(Q_{max} 30 m³/h) with safety suction fitting according to DIN EN 13451

Incl. factory installation	B 4 131 900	€ 462,18
Pipe bend 90° - R 2 ½	B 4 131 100	€ 113,45

Bottom inlet Ø280 mm

With socket PVC d110 (Q_{max} 50 m³/h)

Incl. factory installation	B 4 132 110	€ 592,44
----------------------------	-------------	----------

Hot tap sampling point, polished stainless steel

2 x suction fitting-BK 2", Ø130

safe for hair collection according DIN 13451 (Q_{max} = 8,1 m³/h)
(recommendation 2 pieces/pool), 1 set

B 4 230 100	€ 504,20
-------------	----------

Pre-assembled

B 999 001	€ 21,01
-----------	---------

Overflow channel drain d110, additionally

B 1 389 000	€ 151,26
-------------	----------

LED lights for inground spas

WP-LED-UWS, 4/4, 3.0, 24 V DC, **warm white**,
face plate: stainless **steel polished**, with 5 m silicon cable,

A 4 534 325	€ 483,19
-------------	----------

Ditto RGBW

A 4 534 365	€ 483,19
-------------	----------

LED light

WP-LED-UWS, 4/4, 3.0, 24 V DC, **warm white**,
face plate: **white**, with 5 m silicon cable

A 4 534 326	€ 483,19
-------------	----------

Ditto RGBW

A 4 534 366	€ 483,19
-------------	----------

Power supply 100-277 V AC/24 V DC, 200 W for two
21-piece, for 15-piece, or 6 x 3-piece high-power
LED 2.0, monochrome

A 3 534 030	€ 571,43
-------------	----------

Electrical ballast 100-277 V AC/24 V DC, 200 W for two
21-piece, for 15-piece, or six 3-piece high-power
LED 2.0, RGB

A 3 534 040	€ 983,19
-------------	----------

Halogen light, 12 V / 50 W, AC adapter

A 4 122 180	€ 424,37
-------------	----------

Pre-assembled

B 999 001	€ 21,01
-----------	---------

Transformer 50 VA

B 3 539 008	€ 134,45
-------------	----------

Transformer 100 VA

B 3 539 009	€ 176,47
-------------	----------

Grabrail made of polished stainless steel (V4 A),
with fixing kit, (recommendation 2 pieces per pool)

B 5 220 000	€ 424,37 per piece
-------------	-----------------------

8 channel supports with adjustable foot

B 5 540 010	€ 773,11
-------------	----------

If the channel supports are not used, the overflow gutter must be adequately supported on site! Obligatory for installation gutter.

Anti-slip entry step coating for public whirlpools, colour: transparent

B 2 200 121	€ 420,17
-------------	----------

Attention: This coating is subject to abrasion and will need to be replaced over time.

Insulating cover, white (5 mm foam), depending on the model

Price
see inside



Bottom inlet



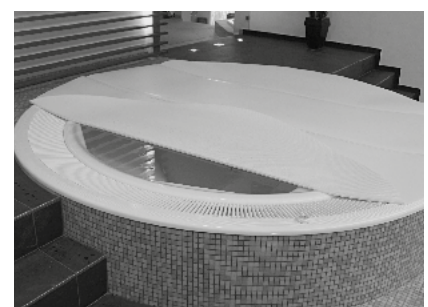
LED light 4/4



Halogen light



Grabrail made of polished stainless steel



Insulating cover, Roman 255

Blower and massage systems for public whirlpools

Motor blower ES 142 1.6 kW - 230 / 400 V

Blower made of metal, suitable for continuous operation.
With three-phase motor 1.6 kW

B 5 562 000 € **1.117,65**

Special silencer, suitable for ES 142

B 5 562 100 € **155,46**

For a stronger massage effect:

B 5 561 000 € **798,32**

Motor blower ES 130/Ring Blower GLB 750, 230 V - 0.80 kW 5.2 A

Silencer for ES 130

B 5 561 100 € **151,26**



Motor blower ES 130/ES 142

Healthstream public massage systems for public whirlpools

With several air jet massage nozzles (see below), suction fittings, high performance pump, air suction and pipe loop in the technical room. All pipe and mounting elements are included, the pipelines to the pump have to be arranged by the customer. Electrical control boxes are not included.

Healthstream 4-22 public, fitting set stainless steel polished

B 4 964 210 € **3.886,55**

- $Q_{max} = 42,9 \text{ m}^3/\text{h}$
- Air connection 1 1/2" IG, Water connection 2" IG
- With 4 Superjet 42, adjustable beam $\varnothing 26 \text{ mm}$
- 4 x suction fitting-BK 2" IG" with face plate $\varnothing 200$ safety fitting according to DIN 13451; $Q_{max} = 14,3 \text{ m}^3/\text{h}$
- Without air regulator
- Pre-assembly

Motor blower ES 130 is required!



Superjet 42

Healthstream 6-35 public, fittings set stainless steel polished

B 4 965 210 € **4.600,84**

- $Q_{max} = 42,9 \text{ m}^3/\text{h}$
- Air connection 1 1/2" IG, Water connection 2" IG
- With 4 Superjet 42, adjustable beam $\varnothing 26 \text{ mm}$
- 4 x suction fitting-BK 2" IG" with face plate $\varnothing 200$ safety fitting according to DIN 13451; $Q_{max} = 14,3 \text{ m}^3/\text{h}$
- Without air regulator
- Pre-assembly

Motor blower ES 130 is required!



Minijet 19

4 x Minijet 19 inlet, polished incl. free air suction in the overflow gutter

B 4 820 510 € **3.697,48**

- Water connection 1 1/2" IG"
- With 4 Minijet 19, adjustable beam 4 x $\varnothing 8 \text{ mm}$
- 4 x suction fitting-BK 2" IG with face plate $\varnothing 200$ safety fitting according to DIN 13451; $Q_{max} = 14,3 \text{ m}^3/\text{h}$
- Pre-assembled

6 x Minijet 19 inlet, polished incl. air suction in the overflow gutter

B 4 860 510 € **4.352,94**

- Water connection 1 1/2" IG
- With 6 Minijet 19, adjustable beam 4 x $\varnothing 8 \text{ mm}$
- 4 x suction fitting-BK 2" IG with face plate $\varnothing 200$ safety fitting according to DIN 13451; $Q_{max} = 14,3 \text{ m}^3/\text{h}$
- Pre-assembled

**8 x Minijet 19 inlet, polished
incl. air suction in the overflow gutter**

B 4 880 510 € **4.588,24**

- Water connection 1 1/2" IG
- With 8 Minijet 19, nozzle insert 4 x Ø 8mm
- 4 x suction fitting-BK 2" IG with face plate Ø200 safety fitting according to DIN 13451; Q_{max} = 14,3 m³/h
- Pre-assembly

Pump kit up to 38 m³/h, 2.2 kW-400 V incl. switch box (4-6 A) for piezo-buttons

B 3 580 194 € **2.436,97**

Pump kit up to 30 m³/h, 1.5 kW-230 V incl. switch box (6-10 A) for piezo-buttons

B 4 964 290 € **2.231,09**



Foot switch

Switches

PN Foot switch, 120 x 120 mm, for mounting next to the pool edge. Stainless steel plate with black PN bellows and 3.5 m PN hose

B 4 107 800 € **264,71**

PN switch Ø 55 mm, mounted in the pool edge

B 4 107 180 € **155,46**

PN Switch box 400 V

(2-3.2A/3-5A/5-7A) with contactor

B 4 111 000 € **445,38**

PN hose 4 x 7 mm, per running meter

B 4 108 000 € **1,60**



PN switch

EL switch box for piezo buttons illuminated

Piezo button, illuminated, complete, polished stainless steel, with 10 m supply cable / 3 m protective hose

B 3 560 510 € **453,78**

Piezo button, complete, white, with 10 m supply cable / 3 m protective hose

B 3 560 511 € **491,60**

Piezo button, complete, polished stainless steel, with 20 m supply cable / 3 m protective hose

B 3 560 520 € **504,20**

Piezo button, complete, white, with 10 m supply cable / 3 m protective hose

B 3 560 521 € **554,62**



Piezo switch

EL switch box for piezo buttons

EL switch box for piezo buttons
230 V / 400 V / 2,4-4 A

B 4 110 050 € **415,97**

EL switch box for piezo buttons
230 V / 400 V / 4-6 A

B 4 110 051 € **415,97**

EL switch box for piezo buttons
230 V / 400 V / 6-10 A

B 4 110 052 € **415,97**

EL switch box for piezo buttons
230 V / 400 V / 10-12 A

B 4 110 053 € **415,97**

Water tank

Water tank

GRP, insulated with 30 mm PU-foam. Tank in one-piece.
Cleaning hole Ø500 mm, PVC fitting for connection to the overflow channel d110 mm, suction connection PVC d75 mm, overflow and drainage fitting.

Water tank 1.000 l capacity, A 5 310 500 € **2.399,16**
dimensions: 2,00 x 1,15 x 0,80 m

Water tank 2.000 l capacity, A 5 320 100 € **3.857,14**
dimensions: 2,00 x 1,90 x 0,80 m

Water level and pump control, incl. mains water solenoid valve A 5 350 100 € **1.294,12**



Water tank



Water level and pump control, incl. mains water solenoid valve

For your information:

For water tanks, the volume must be at least twice the basin volume (DIN 19643).

Water level and pump control
(optional, Art.-no. A 5 350 100)

Fresh water connection
1/2" for level regulation

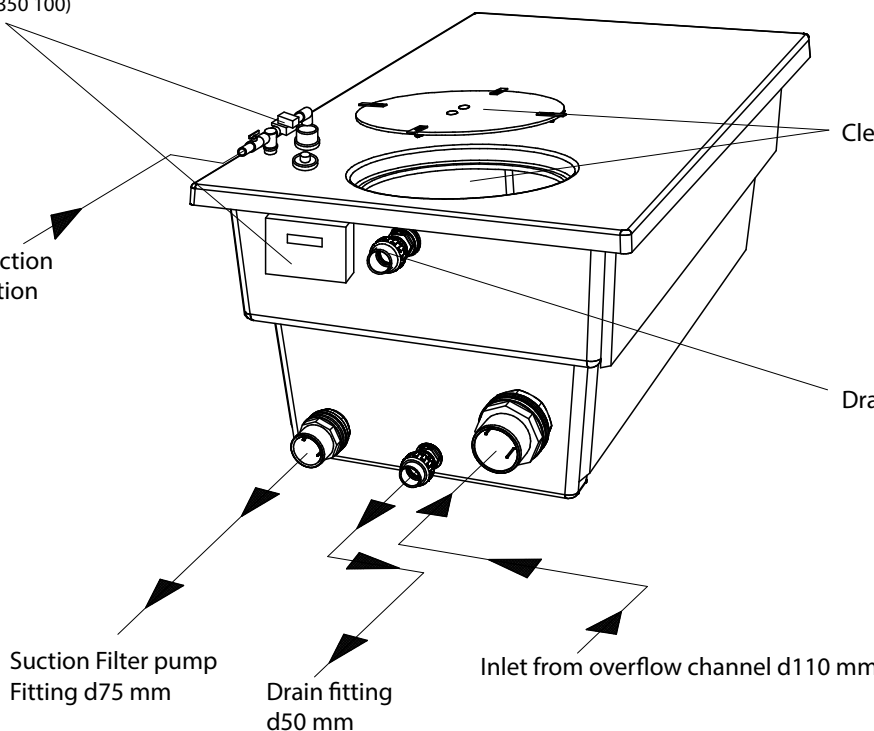
Cleaning hole with cover

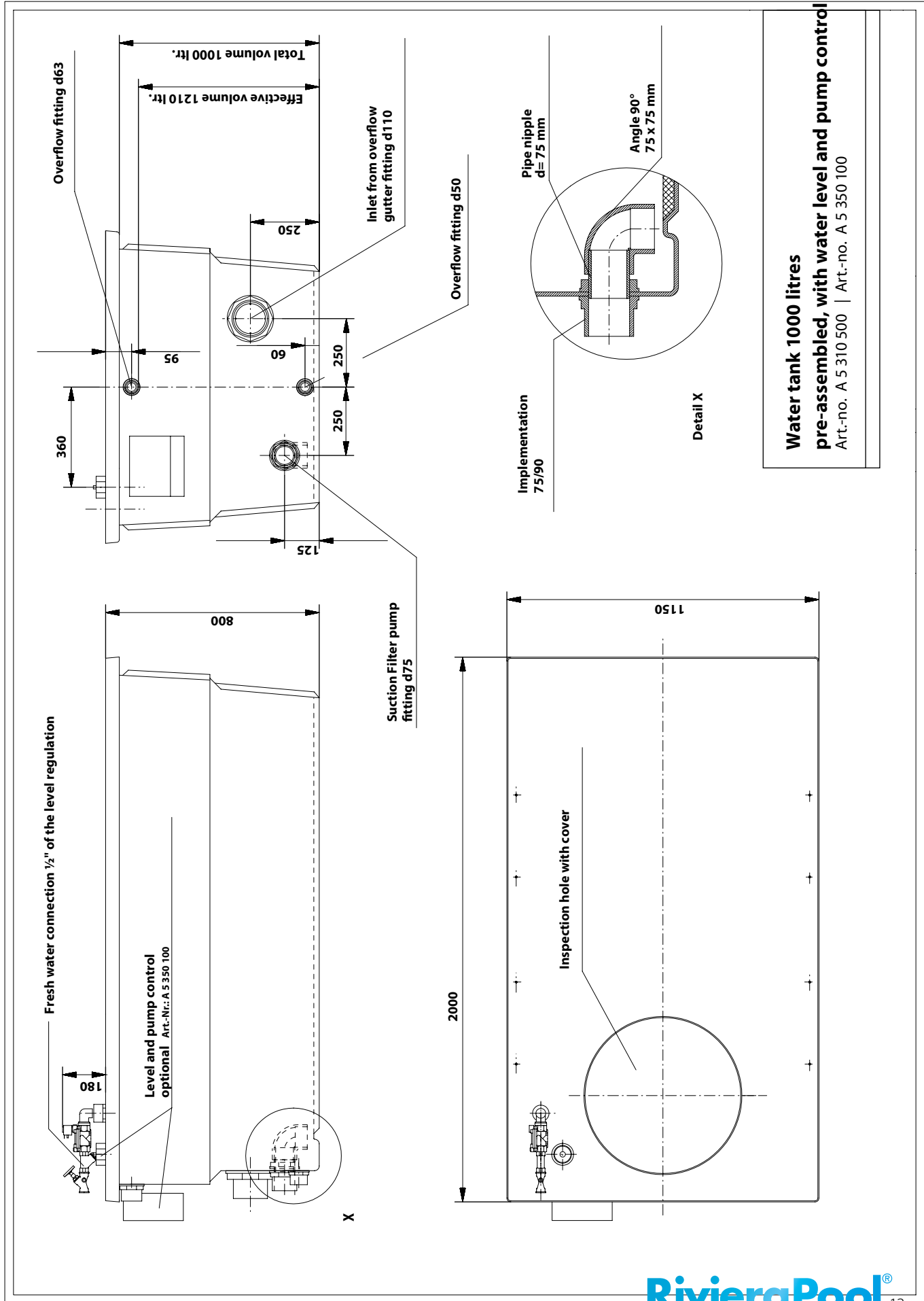
Drain fitting d63 mm

Suction Filter pump
Fitting d75 mm

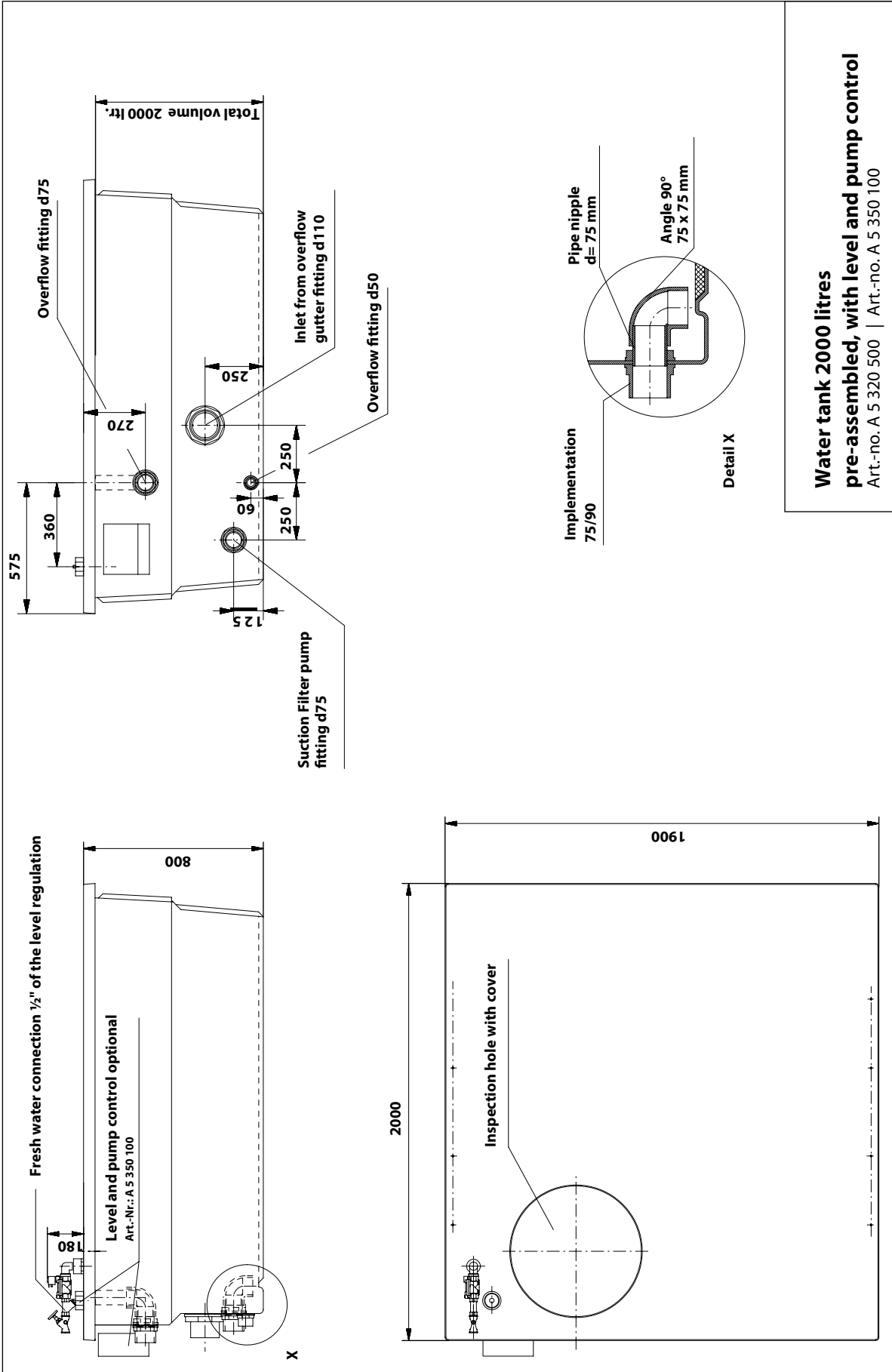
Drain fitting
d50 mm

Inlet from overflow channel d110 mm





Water tank 1000 litres pre-assembled, with water level and pump control
 Art.-no. A 5 310 500 | Art.-no. A 5 350 100



Water tank 2000 litres
pre-assembled, with level and pump control
 Art.-no. A 5 320 500 | Art.-no. A 5 350 100

PRODUCTION FACILITIES IN D-GEESTE-DALUM AND SK-TRNAVA



This list does not include information on prefabricated swimming pools or cold dip pools.
Please ask for more details if you need them. Or visit us under:

www.rivierapool.com

RivieraPool®

One of the leading
manufacturers of
prefabricated swimming
pool technology
and spas.
BSW member.

