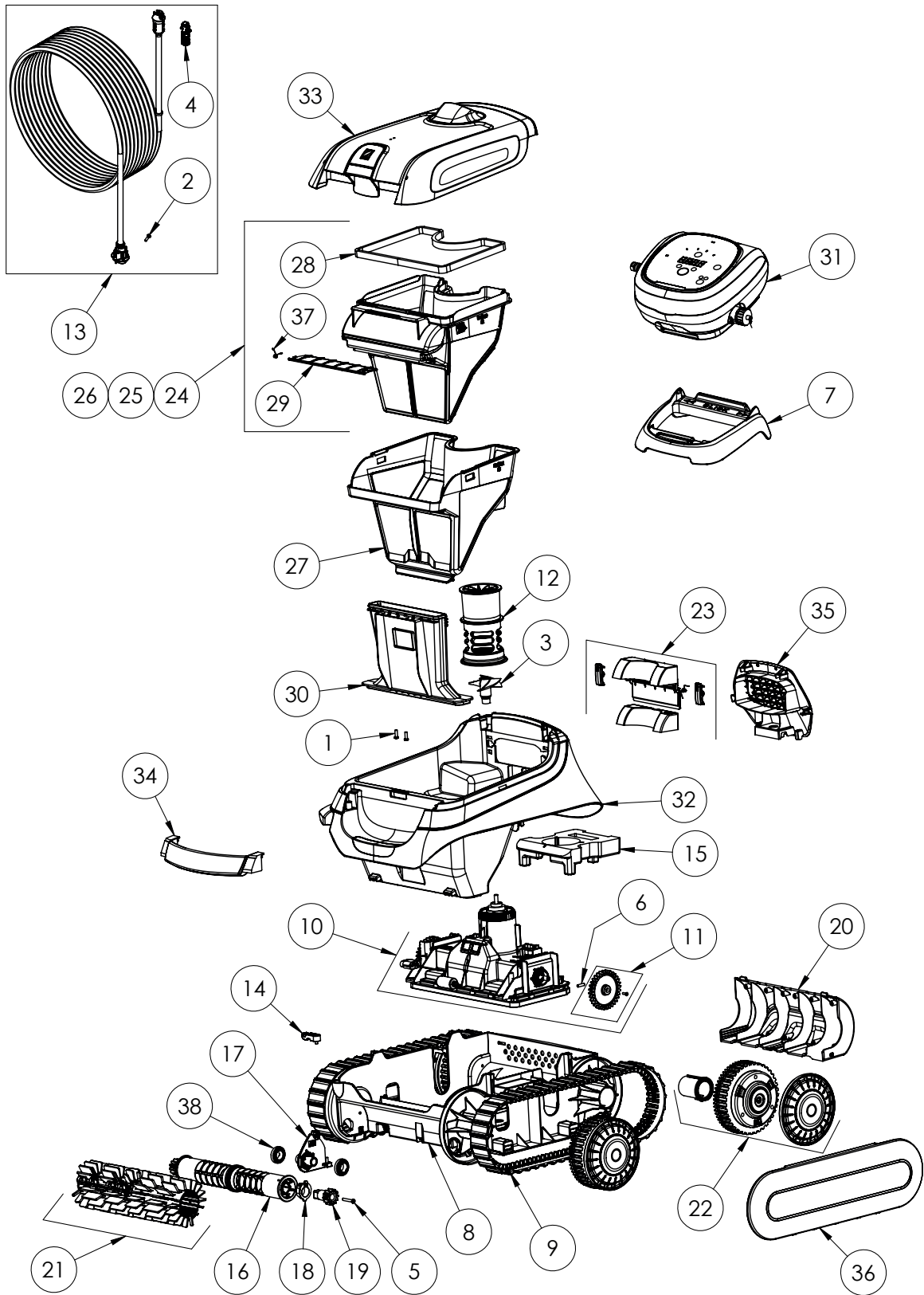




20 XA

Spare Parts



POSITION	DESCRIPTION	REFERENCE	
1	Screw 4*12 mm (Set Of 5)	R0516700	
2	Screw 4*16mm (Set Of 5)	R0608500	
3	Impeller	R0633200	
4	Connector 3Pts Body	R0634100	
5	Screw 4*25 mm (Set Of 5)	R0638900	
6	Motor Block Shaft Pin Ø4 (Set Of 5)	R0657900	
7	Control Unit Base	R0662600	
8	Lower Housing Chassis CN	R0895100	
9	Track CN (*2)	R0895200	
10	Motor Block Kit CN	R0895400	
11	Drive Gear Kit (*2)	R0895600	
12	Flow Outlet CN	R0895700	
13	Floating Cable CN, 15M	R0895800	
14	Cable Strain Relief CN	R0896200	
15	Chassis Float CN	R0896300	
16	Brush Roller CN (*2)	R0896400	
17	Roller Support CN	R0896500	
18	Outer Bearing CN, (*2)	R0896600	
19	12 Point Gear, CN (*2)	R0896700	
20	Rear Chassis Cover CN	R0896800	
21	Brush Scrubber CN Grey (*2)	R0896900	
22	Wheel CN, Black	R0897300	
23	Rear Flap Door Kit CN	R0897400	
24	Filter CN 100µ - Single	R0897500	
25	Filter CN 150µ - Dual	R0897600	
26	Filter CN 200µ - Single	R0897700	
27	Over Filter CN 60µ - Dual	R0898100	
28	Canister Seal CN	R0898300	
29	Canister Inlet Flap CN	R0898400	
30	Inlet Channel CN	R0898500	
31	Control Box CN Type 5 Eu	R0899000	
32	Body Housing CN A, Light Grey	R0900400	
33	Complete Cover CN A, Clear	R0901100	
34	Handle CN A, White	R0901600	
35	Rear Grid CN A, Black	R0902100	
36	Long Flange CN Black (*2)	R0902200	
37	Canister Inlet Flap Spring CN	R0905500	
38	Ball Bearing	W79034	
/	Carton 20 XA	R0908200	