

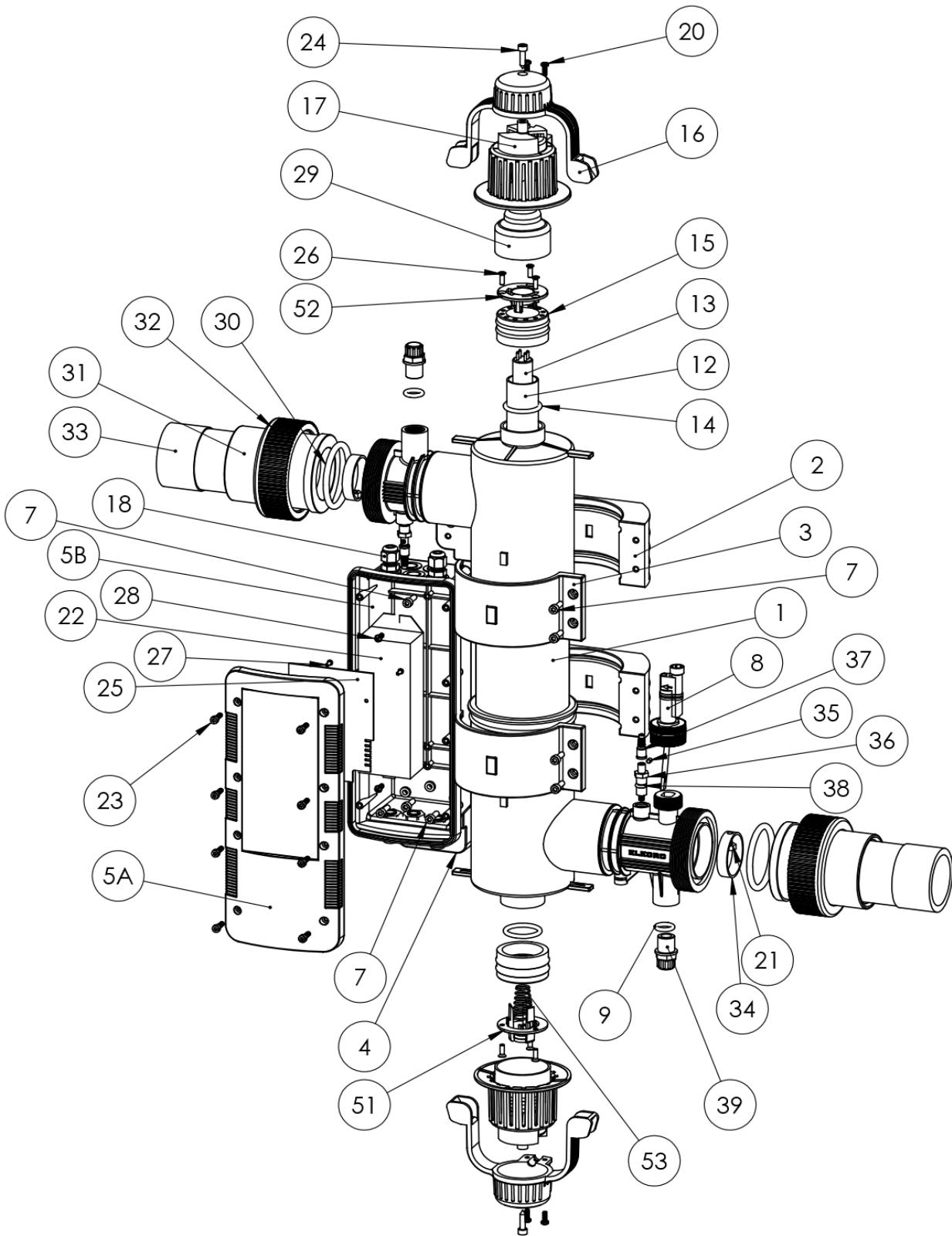
MINI HR-UVC

SPARE PART LISTS



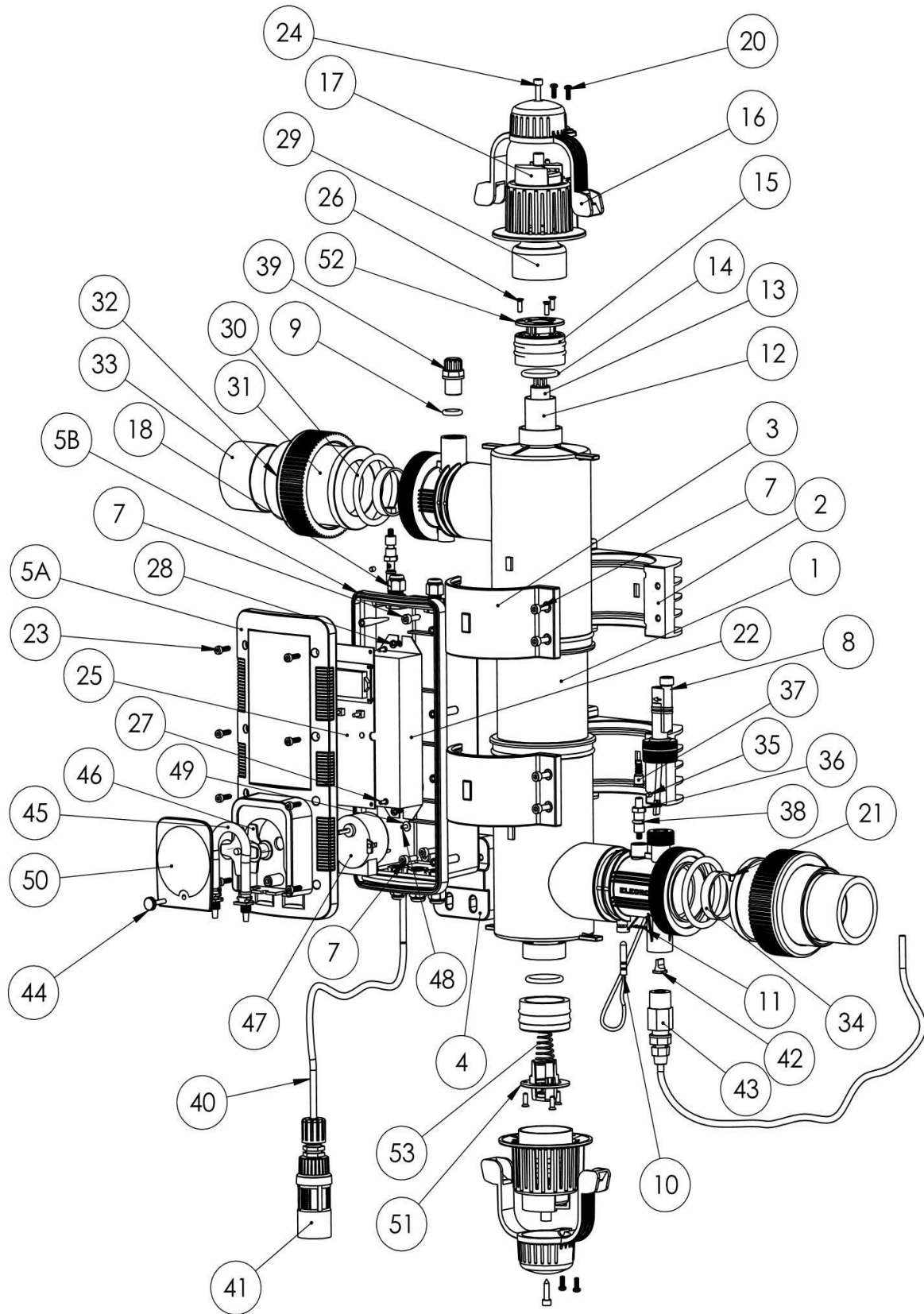
ELECRO
ENGINEERING

MINI HR UV-C Classic



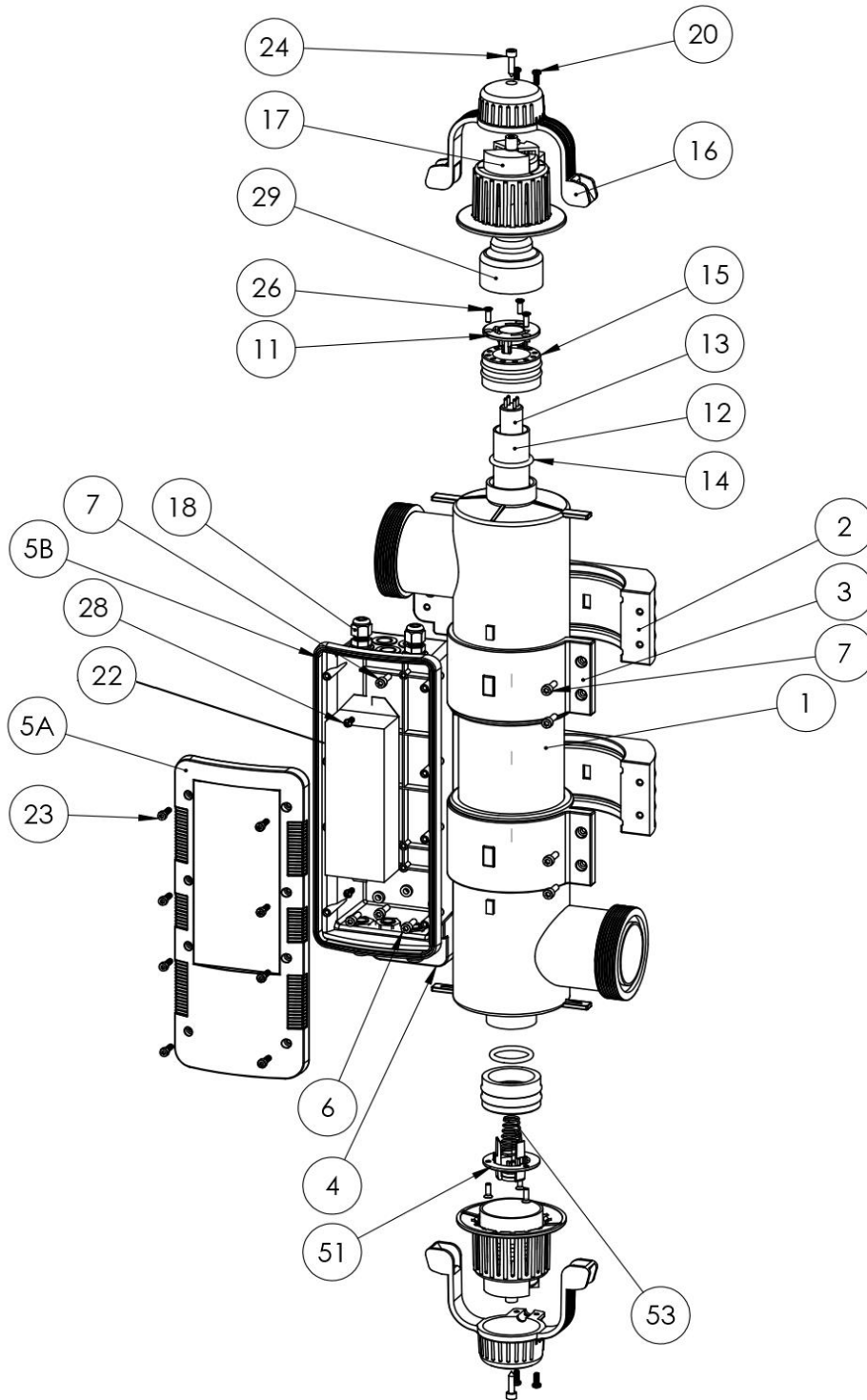
Item No.:	Description	Pcs/Unit HR-30	Elecro Part Number HR-30	GBP RRP (£)	EUR RRP (€)	USD RRP (\$)
				HR-30	HR-30	HR-30
1	Mini HR-UVC Replacement Body Assembly (Complete with PTFE reflector and T-Piece)	1	SP-UV-B-HR-FS-30	175.00	201.25	245.00
2	Rear Mounting Bracket	2	Z-IM-UV-ST-RB	7.35	8.45	10.29
3	Front Mounting Bracket	2	Z-IM-UV-ST-FB	3.15	3.62	4.41
4	Mini HR-UVC Wall Mounting Bracket	2	Z-IM-UV-M-WMB	12.60	14.49	17.64
5A	Mini HR-UVC Front Cover	1	Z-IM-UV-M-FC	16.80	19.32	23.52
5B	Mini HR-UVC Rear Enclosure	1	Z-IM-UV-M-ENC	26.25	30.19	36.75
6	M5 Flat Form C Washer A2	2	Z-FIX-M5FCW	5.51	6.34	7.72
7	POD Fixing Screw	2	Z-FIX-M4.8X19STS-SC	5.51	6.34	7.72
8	Flow Switch	1	SP-107-UV-A	40.69	46.79	56.96
9	Blanking Cap O-Ring Seal	2	Z-ORS-SR-PC-S	1.31	1.51	1.84
12	Mini HR-UVC Quartz Sleeve	1	SP-UV-QS-30	41.21	47.39	57.69
13	Mini UV-C Lamp	1	SP-UV-LAMP-30	32.14	36.96	45.00
14	Quartz Sleeve O-Ring Seal	2	SP-UV-ORS	1.26	1.45	1.76
15	Quartz Sleeve Locking Nut	2	SP-UV-LNUT	7.51	8.63	10.51
16	UV Lamp Holder Clip	2	Z-IM-UV-LH-CLIP	5.78	6.64	8.09
17	UV Lamp Holder Hard Cap	2	Z-IM-UV-LH-CAP	7.88	9.06	11.03
18	PG7 Entry Gland	6	Z-CON-PG7BK	7.35	8.45	10.29
20	Lamp Lead Clamp Pozi Pan Screw	4	Z-FIX-M4X14	1.58	1.81	2.205
21	Current Collector Hex Nut	2	Z-FIX-M5HEX	5.51	6.34	7.72
22	Electronic ballast	1	SP-UV-BB-30	115.50	132.83	161.70
23	Enclosure Fixing Screw	6	Z-FIX-M4X16-SC-ST	1.58	1.81	2.21
24	Lamp Holder Clip Screw	2	Z-FIX-M4.8X19STS-SC	5.51	6.34	7.72
25	HR Maintenance Timer PCB	1	SP-UV-HR-PCB-DV	99.75	114.71	139.65
26	Bracket Screw	6	Z-FIX-M4X14	1.58	1.81	2.205
27	PCB Fixing Screw	5	Z-FIX-M3X8-BLK	1.58	1.81	2.21
28	Ballast Fixing Screw	2	Z-FIX-M4X14	1.58	1.81	2.205
29	Lamp Lead Connection	2	SP-UV-LLL-S	18.38	21.13	25.73
30	Large Union O-Ring Seal	2	SP-122-ORS	8.93	10.26	12.50
31+ 32	Union Socket 2" / 63mm	2	SP-122	14.18	16.30	19.85
	Union Nut					
33	Union Reducer 1½" / 50mm	2	SP-UV-R	4.73	5.43	6.62
34	10mm / 44.5mm OD Stainless Steel Ring	2	Z-TUB-SS44.5X10	8.93	10.26	12.50
35	Current Collector Grub Screw	2	Z-FIX-M4X4GS	1.58	1.81	2.21
36	Current Collector Pin (316 S/S)	2	Z-UV-CC-PIN	15.23	17.51	21.32
37	UV Current Collector Rubber Boot	2	Z-UV-CC-RB	4.73	5.43	6.62
38	UV Current Collector 'O' Ring	2	Z-ORS-UV-CC	2.63	3.02	3.68
39	UV Blanking Plug	2	Z-IM-UV-BP	3.68	4.23	5.15
51	Mini UV Lamp Retaining Cap - Closed	1	Z-SMW-UV-LRC-C	5.88	6.76	8.23
52	Mini UV Lamp Retaining Cap - Open	1	Z-SMW-UV-LRC-O	56.56	65.04	79.18
53	Mini UV Spring	1	Z-UV-M-S	1.00	1.15	1.40

MINI HR UV-C PRO



Item No.:	Description	Pcs/Unit HRP-30	Elecro Part Number HRP-30	GBP RRP (£)	EUR RRP (€)	USD RRP (€)
				HRP-30	HRP-30	HRP-30
1	Mini HR-UVC Replacement Body Assembly (Complete with PTFE reflector and T-Piece)	1	SP-UV-B-HR-FS-30	175.00	201.25	231.44
2	Rear Mounting Bracket	2	Z-IM-UV-ST-RB	11.55	13.28	16.17
3	Front Mounting Bracket	2	Z-IM-UV-ST-FB	5.25	6.04	7.35
4	Mini HR-UVC Wall Mounting Bracket	2	Z-IM-UV-M-WMB	12.60	14.49	17.64
5A	Mini HR-UVC Front Cover	1	Z-IM-UV-M-FC-D	23.10	26.57	32.34
5B	Mini HR-UVC Rear Enclosure	1	Z-IM-UV-M-ENC	26.25	30.19	36.75
6	M5 Flat Form C Washer A2	2	Z-FIX-M5FCW	5.51	6.34	7.72
7	POD Fixing Screw	2	Z-FIX-M4.8X19STS-SC	5.51	6.34	7.72
8	Flow Switch	1	SP-107-UV-A	40.69	46.79	56.96
9	Blanking Cap O-Ring Seal	1	Z-ORS-SR-PC-S	1.31	1.51	1.84
10	Temperature Sensor	1	Z-MIS-NTC-1000	32.29	37.13	45.20
11	R' Clip	1	Z-MIS-R-CLIP	3.15	3.62	4.41
12	Mini HR-UVC Quartz Sleeve	1	SP-UV-QS-30	41.21	47.39	57.69
13	Mini UV-C Lamp	1	SP-UV-LAMP-30	34.13	39.24	47.78
14	Quartz Sleeve O-Ring Seal	2	SP-UV-ORS	1.26	1.45	1.76
15	Quartz Sleeve Locking Nut	2	SP-UV-LNUT	7.51	8.63	10.51
16	UV Lamp Holder Clip	2	Z-IM-UV-LH-CLIP	5.78	6.64	8.09
17	UV Lamp Holder Hard Cap	2	Z-IM-UV-LH-CAP	7.88	9.06	11.03
18	PG7 Entry Gland	6	Z-CON-PG7BK	7.35	8.45	10.29
20	Lamp Lead Clamp Pozi Pan Screw	4	Z-FIX-M4X14	1.58	1.81	2.205
21	Current Collector Hex Nut	2	Z-FIX-M5HEX	5.51	6.34	7.72
22	Electronic ballast	1	SP-UV-BB-30	115.50	132.83	161.70
23	Enclosure Fixing Screw	6	Z-FIX-M4X16-SC-ST	1.58	1.81	2.21
24	Lamp Holder Clip Screw	2	Z-FIX-M4.8X19STS-SC	5.51	6.34	7.72
25	HRP Maintenance Timer PCB	1	SP-UV-HRP-PCB	204.75	235.46	286.65
26	Bracket Screw	6	Z-FIX-M4X14	1.58	1.81	2.205
27	M3 x 8mm PCB Fixing	5	Z-FIX-M3X8-BLK	1.58	1.81	2.21
28	Ballast Fixig Screw	2	Z-FIX-M4X14	1.58	1.81	2.205
29	Lamp Lead Connection	2	SP-UV-LLL-S	18.38	21.13	25.73
30	Large Union O-Ring Seal	2	Z-ORS-UNI-L	4.46	5.13	6.25
31+32	Union Socket 2"/ 63mm	2	SP-122	14.18	16.30	19.85
	Union Nut					
33	Union Reducer 1½"/ 50mm	2	SP-UV-R	4.73	5.43	6.62
34	10mm / 44.5mm OD Stainless Steel Ring	2	Z-TUB-SS44.5X10	8.93	10.26	12.50
35	Current Colletor Grub Screw	2	Z-FIX-M4X4GS	1.58	1.81	2.21
36	Current Collector Pin (316 S/S)	2	Z-UV-CC-PIN	15.23	17.51	21.32
37	UV Current Collector Rubber Boot	2	Z-UV-CC-RB	4.73	5.43	6.62
38	UV Current Collector 'O' Ring	2	Z-ORS-UV-CC	2.63	3.02	3.68
39	UV Blanking Plug	2	Z-IM-UV-BP	3.68	4.23	5.15
40	Suction Tubing	1	Z-DP-PVCH	7.88	9.06	11.03
41	Foot Valve Strainer Assembly	1	Z-DP-FS	44.10	50.72	61.74
42	Rubber Lip Valve and Top Hat Bush	1	SP-UV-DP-RDV	8.40	9.66	11.76
43	Dosing Port ssembly	1	SP-UV-DP-PA	7.88	9.06	11.03
44	Dosing Pump Front Cover Screw	1	Z-DP-CF-TEC	44.10	50.72	61.74
45	Dosing Tube Asembly	1	SP-DP-ST-TEC	8.40	9.66	11.76
46	Dosing Pump Roller Assembly	1	SP-DP-PR-TEC	31.50	36.23	44.10
47	Dosing Pump Motor	1	SP-DP-M-TEC	60.90	70.04	85.26
48	Dosing Pump Motor Screw	2	Z-FIX-M3X8-BLK	1.58	1.82	2.21
49	Dosing Pump Motor Washer	2	Z-FIX-M3LW	1.58	1.82	2.21
50	Dosing Pump Front Cover	1	Z-DP-FCC-TEC	13.13	15.10	18.38
51	Mini UV Lamp Retaining Cap - Closed	1	Z-SMW-UV-LRC-C	5.88	6.76	8.23
52	Mini UV Lamp Retaining Cap - Open	1	Z-SMW-UV-LRC-O	5.56	6.39	7.78
53	Mini UV Spring	1	Z-UV-M-S	1.00	1.15	1.40

MINI HR UV-C STANDARD



Item No.:	Description	Pcs/Unit HR-30	Electro Part Number HR-30	GBP RRP (£)	EUR RRP (€)	USD RRP (£)
				HR-30	HR-30	HR-30
1	Mini HR-UVC Replacement Body Assembly (Complete with PTFE reflector and T-Piece)	1	SP-UV-B-HR-FS-30	150.00	NA	NA
2	Rear Mounting Bracket	2	Z-IM-UV-ST-RB	7.35	8.45	10.29
3	Front Mounting Bracket	2	Z-IM-UV-ST-FB	3.15	3.62	4.41
4	Mini HR-UVC Wall Mounting Bracket	2	Z-IM-UV-M-WMB	12.60	14.49	17.64
5A	Mini HR-UVC Front Cover	1	Z-IM-UV-M-FC	16.80	19.32	23.52
5B	Mini HR-UVC Rear Enclosure	1	Z-IM-UV-M-ENC	26.25	30.19	36.75
6	M5 Flat Form C Washer A2	2	Z-FIX-M5FCW	5.51	6.34	7.72
7	POD Fixing Screw	2	Z-FIX-M4.8X19STS-SC	5.51	6.34	7.72
12	Mini HR-UVC Quartz Sleeve	1	SP-UV-QS-30	41.21	47.39	57.69
13	Mini UV-C Lamp	1	SP-UV-LAMP-30	34.13	39.24	47.78
14	Quartz Sleeve O-Ring Seal	2	SP-UV-ORS	1.26	1.45	1.76
15	Quartz Sleeve Locking Nut	2	SP-UV-LNUT	7.51	8.63	10.51
16	UV Lamp Holder Clip	2	Z-IM-UV-LH-CLIP	5.78	6.64	8.09
17	UV Lamp Holder Hard Cap	2	Z-IM-UV-LH-CAP	7.88	9.06	11.03
18	PG7 Entry Gland	6	Z-CON-PG7BK	7.35	8.45	10.29
20	Lamp Lead Clamp Pozi Pan Screw	4	Z-FIX-M4X14	1.58	1.81	2.205
22	Electronic ballast	1	SP-UV-BB-30	115.50	132.83	161.70
23	Enclosure Fixing Screw	6	Z-FIX-M4X16-SC-ST	1.58	1.81	2.21
24	Lamp Holder Clip Screw	2	Z-FIX-M4.8X19STS-SC	5.51	6.34	7.72
26	Bracket Screw	6	Z-FIX-M4X14	1.58	1.81	2.205
28	Ballast Fixing Screw	2	Z-FIX-M4X14	1.58	1.81	2.205
29	Lamp Lead Connection	2	SP-UV-LLL-S	18.38	21.13	25.73
51	Mini UV Lamp Retaining Cap - Closed	1	Z-SMW-UV-LRC-C	5.88	6.76	8.23
52	Mini UV Lamp Retaining Cap - Open	1	Z-SMW-UV-LRC-O	5.56	6.39	7.78
53	Mini UV Spring	1	Z-UV-M-S	1.00	1.15	1.40



ELECRO
ENGINEERING

Improving pools *globally*

11 Gunnels Wood Park, Gunnels Wood Road,
Stevenage, Hertfordshire, SG1 2BH, UK

Tel: +44 1438 749 474

Email: sales@elecro.co.uk

Web: www.elecro.co.uk

We reserve the right to change all or part of the features of the articles
or contents of this document, without prior notice.

SPL61-EN-MINI H.R.UV-C SPARE PARTS LIST V2- 15.07.2021- Elecro