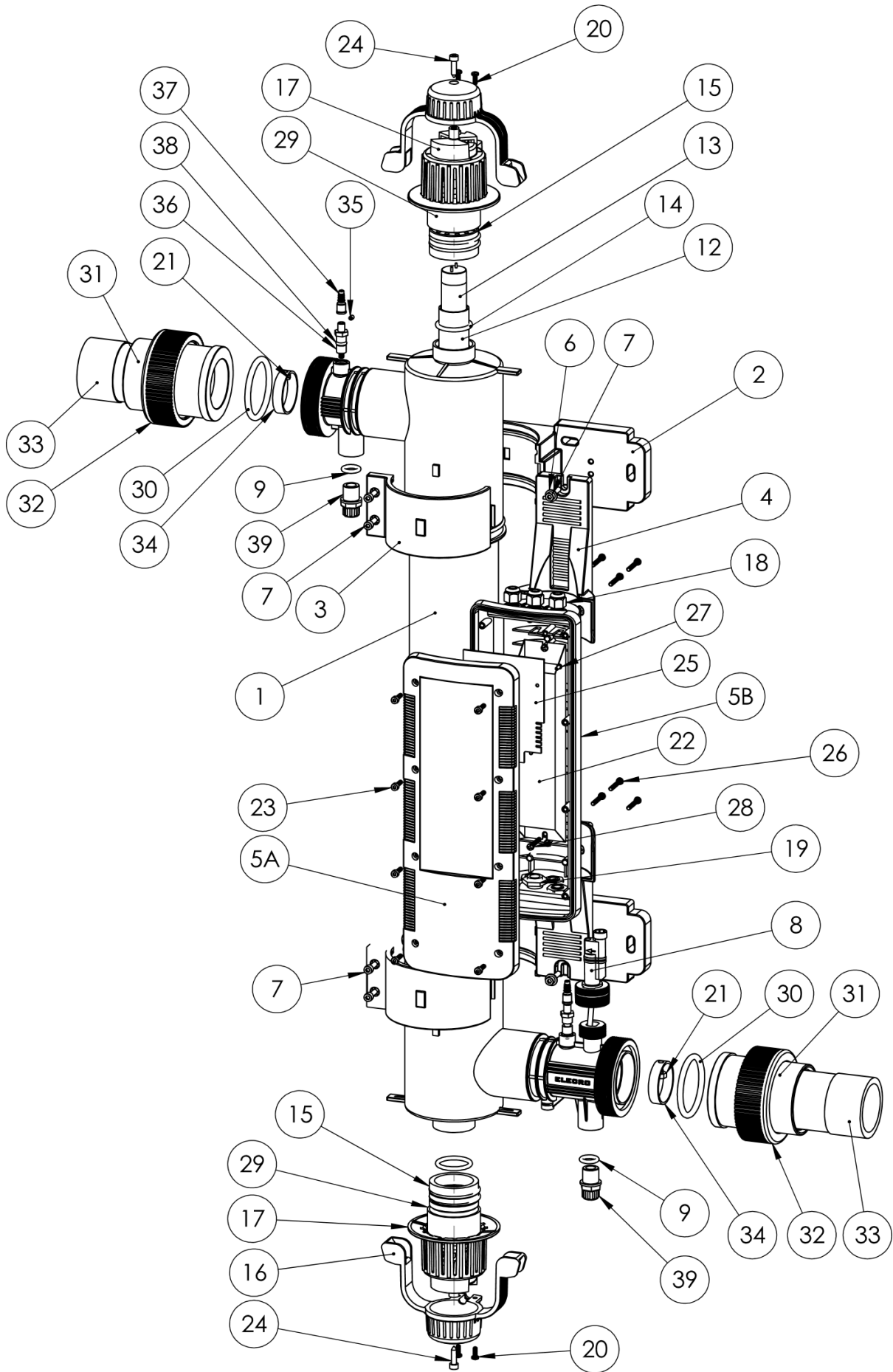


HR-UVC

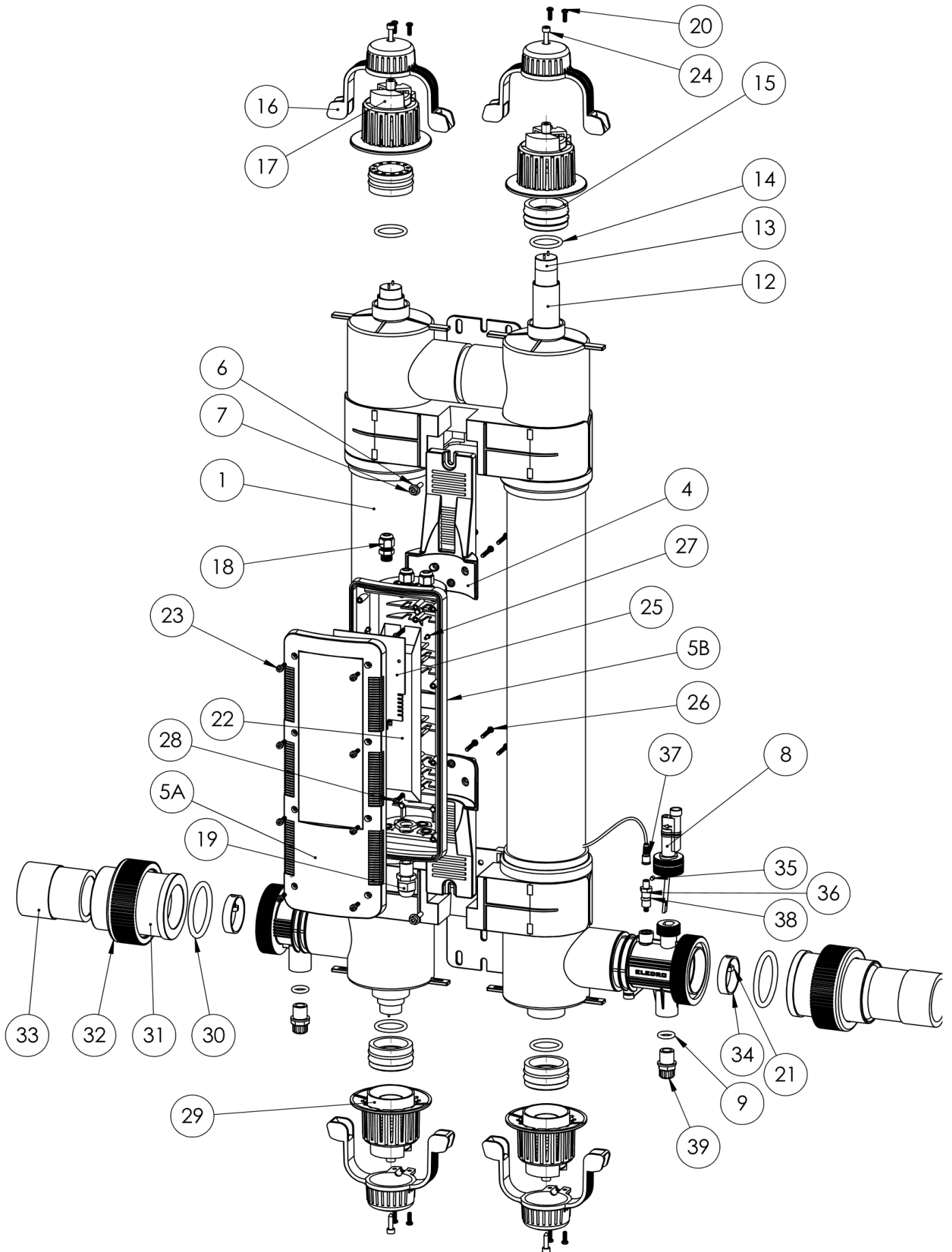
SPARE PART LISTS



HR UV-C Classic - 55W

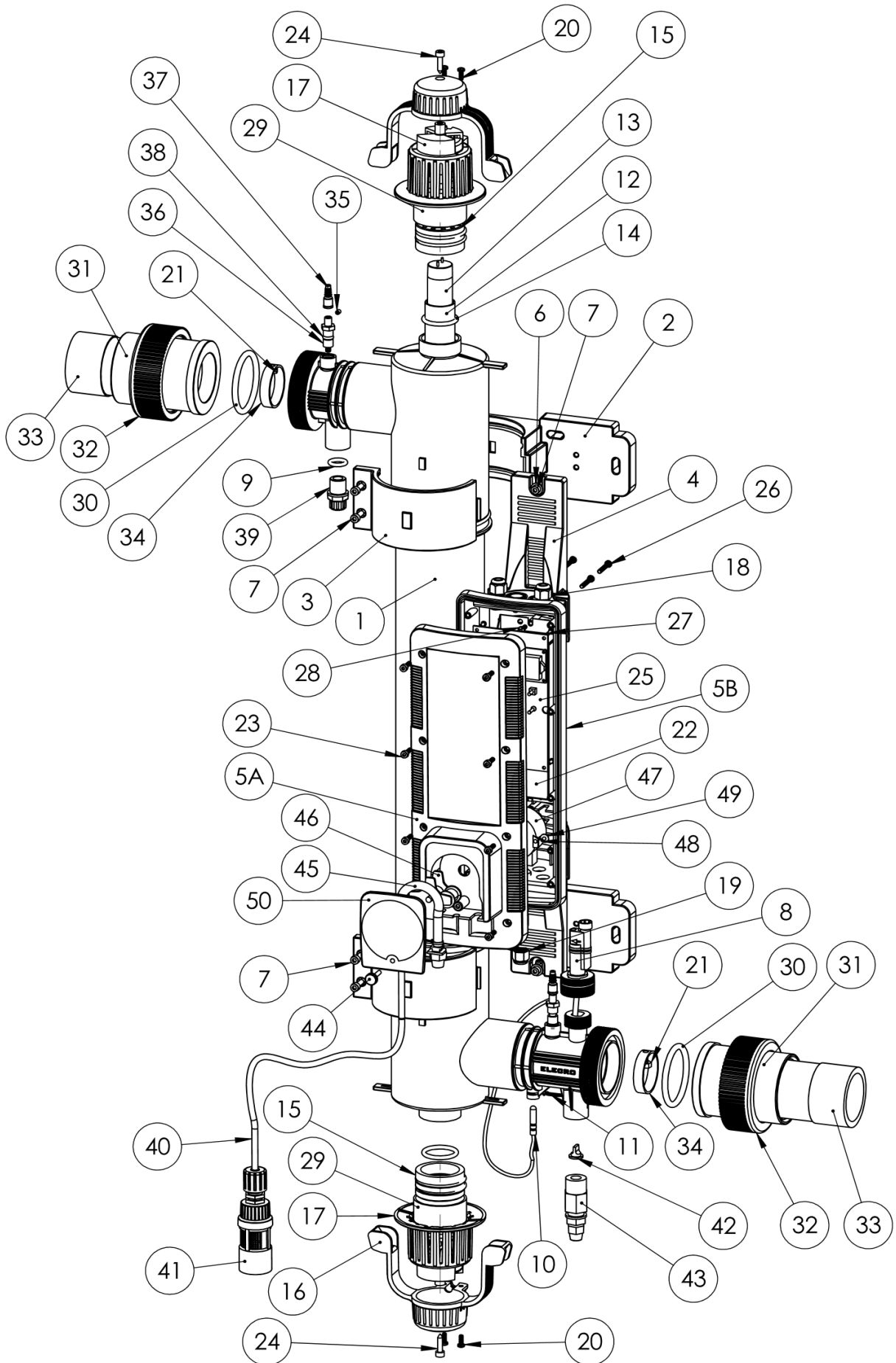


HR UV-C Classic - 110W

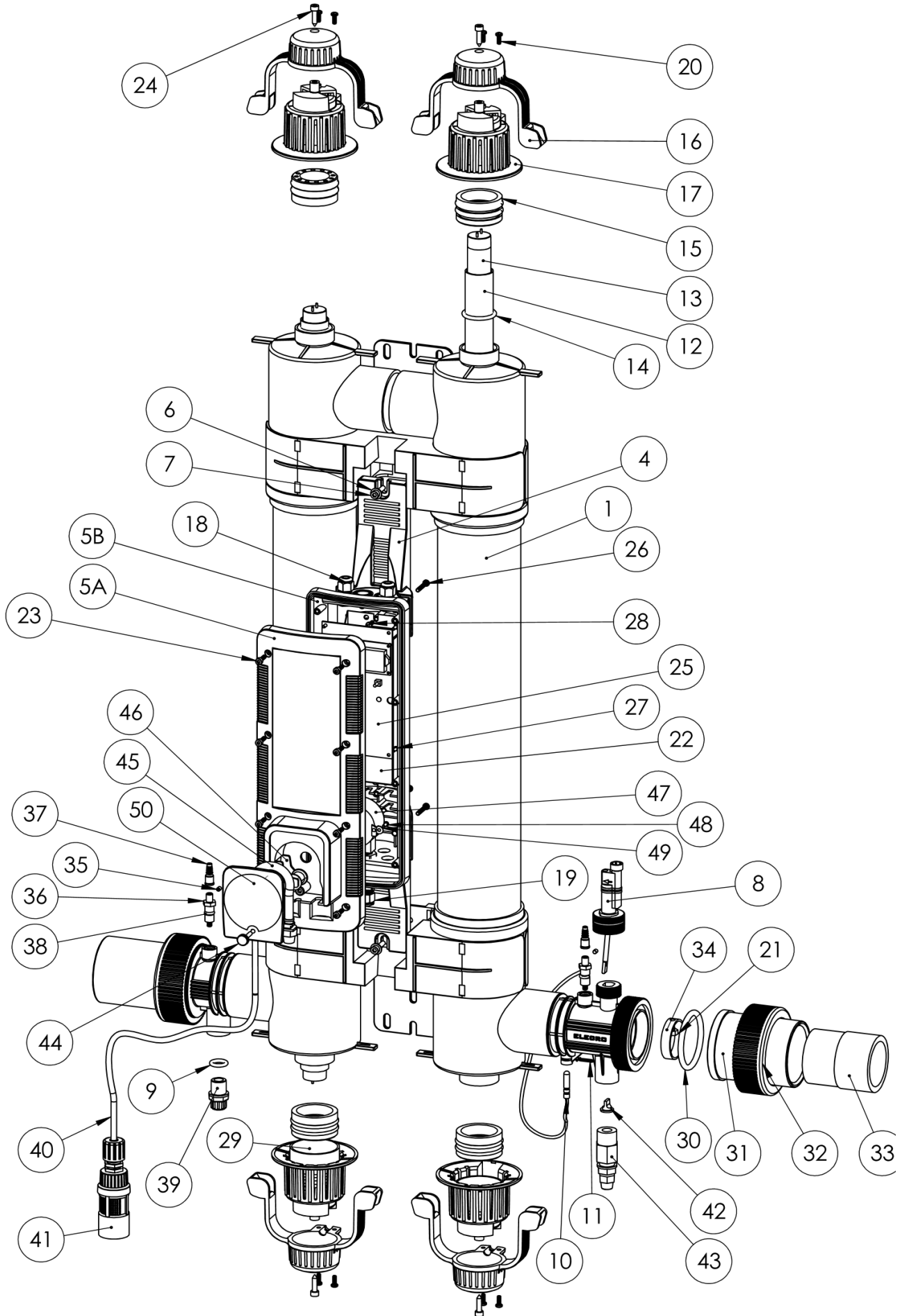


Item No.:	Description	Pcs/Unit HR-55	Pcs/Unit HR-110	Electro Part No.		GBP RRP (£)		EUR RRP (€)		USD RRP (\$)	
				HR-55	HR-110	HR-55	HR-110	HR-55	HRP-110	HR-55	HR-110
1	HR-UVC Replacement Body Assembly (Complete with PTFE reflector and T-Piece)	1	1	SP-UV-B-HR-FS-55	SP-UV-B-HR-FS-110	199.50	367.50	229.43	422.63	279.30	514.50
2	Rear Mounting Bracket	2	-	Z-IM-UV-ST-RB	-	7.35	-	8.45	-	10.29	-
3	Front Mounting Bracket	2	-	Z-IM-UV-ST-FB	-	3.15	-	3.62	-	4.41	-
4	Enclosure Bracket	2	2	Z-IM-UV-ENC-B		10.50		12.08		14.70	
5A	Analogue HR Front Cover	1	1	Z-IM-UV-FC		11.55		13.28		16.17	
5B	Rear Enclosure	1	1	Z-IM-UV-ENC-N		17.85		20.53		24.99	
6	M5 Flat Form C Washer A2	2	2	Z-FIX-M5FCW		5.51		6.34		7.72	
7	POD Fixing Screw	2	2	Z-FIX-M4.8X19STS-SC		5.51		6.34		7.72	
8	Flow Switch	1	1	SP-107-UV-B		40.69		46.79		56.96	
9	Blanking Cap O-Ring Seal	2	2	Z-ORS-SR-PC-S		1.31		1.51		1.84	
12	Quartz Sleeve	1	2	SP-UV-QS		41.21		47.39		57.70	
13	UV Lamp	1	2	SP-UV-LAMP-EL		50.14		57.66		70.19	
14	Quartz Sleeve O-Ring Seal	2	4	SP-UV-ORS		1.26		1.45		1.76	
15	Quartz Sleeve Locking Nut	2	4	SP-UV-LNUT		7.51		8.63		10.51	
16	UV Lamp Holder Clip	2	4	Z-IM-UV-LH-CLIP		5.78		6.64		8.09	
17	UV Lamp Holder Hard Cap	2	4	Z-IM-UV-LH-CAP		7.88		9.06		11.03	
18	PG7 Entry Gland	6	6	Z-CON-PG7BK		7.35		8.45		10.29	
19	PG7 Entry Gland	1	1	Z-CON-PG7BK		7.35		8.45		10.29	
20	Lamp Lead Clamp Pozi Pan Screw	4	8	Z-FIX-M4X14		1.58		1.81		2.21	
21	Current Collector Hex Nut	2	2	Z-FIX-M5HEX		5.51		6.34		7.72	
22	Electronic ballast	1	1	SP-UV-BB-55	SP-UV-BB-110	115.50	157.50	132.83	181.13	161.70	220.50
23	Enclosure Fixing Screw	6	6	Z-FIX-M4X16-SC-ST		1.58		1.81		2.21	
24	Lamp Holder Clip Screw	2	4	Z-FIX-M4.8X19STS-SC		5.51		6.34		7.72	
25	HR Maintenance Timer PCB	1	1	SP-UV-HR-PCB-DV		99.75		114.71		139.65	
26	Bracket Screw	6	6	Z-FIX-M4X14		1.58		1.81		2.21	
27	PCB Fixing Screw	5	5	Z-FIX-M3X8-BLK		1.58		1.81		2.21	
28	Ballast Fixing Screw	2	2	Z-FIX-M4X14		1.58		1.81		2.21	
29	Lamp Lead Connection	2	4	SP-UV-LLL-S		18.38		21.13		25.73	
30	Large Union O-Ring Seal	2	2	SP-122-ORS		8.93		10.26		12.50	
31+ 32	Union Socket 2"/ 63mm	2	2	SP-122		14.18		16.30		19.85	
	Union Nut										
33	Union Reducer 1½"/ 50mm	2	2	SP-UV-R		4.73		5.43		6.62	
34	10mm / 44.5mm OD Stainless Steel Ring	2	2	Z-TUB-SS44.5X10		8.93		10.26		12.50	
35	Current Collector Grub Screw	2	2	Z-FIX-M4X4GS		1.58		1.81		2.21	
36	Current Collector Pin (316 S/S)	2	2	Z-UV-CC-PIN		15.23		17.51		21.32	
37	UV Current Collector Rubber Boot	2	2	Z-UV-CC-RB		4.73		5.43		6.62	
38	UV Current Collector 'O' Ring	2	2	Z-ORS-UV-CC		2.63		3.02		3.68	
39	UV Blanking Plug	2	2	Z-IM-UV-BP		3.68		4.23		5.15	

HR UV-C PRO - 55W

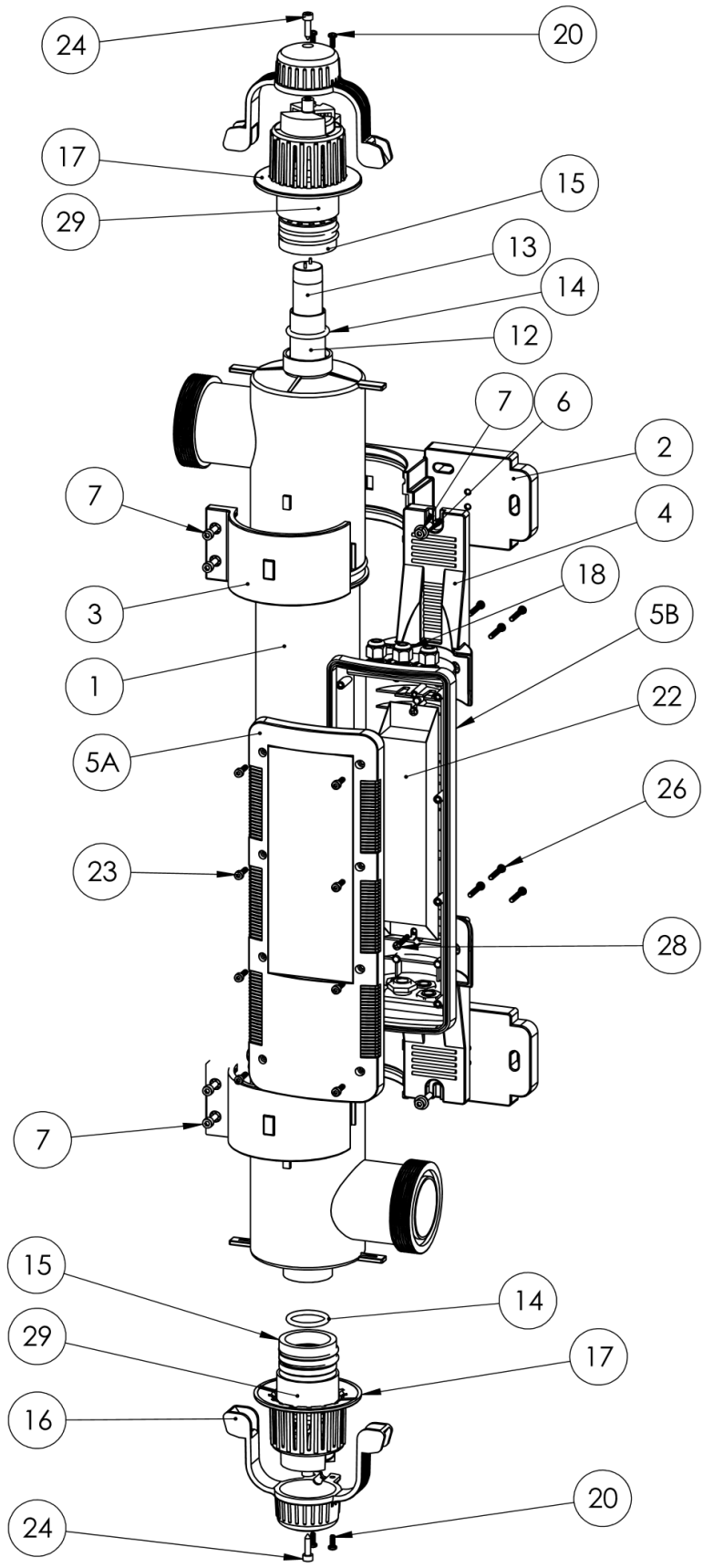


HR UV-C PRO - 110W

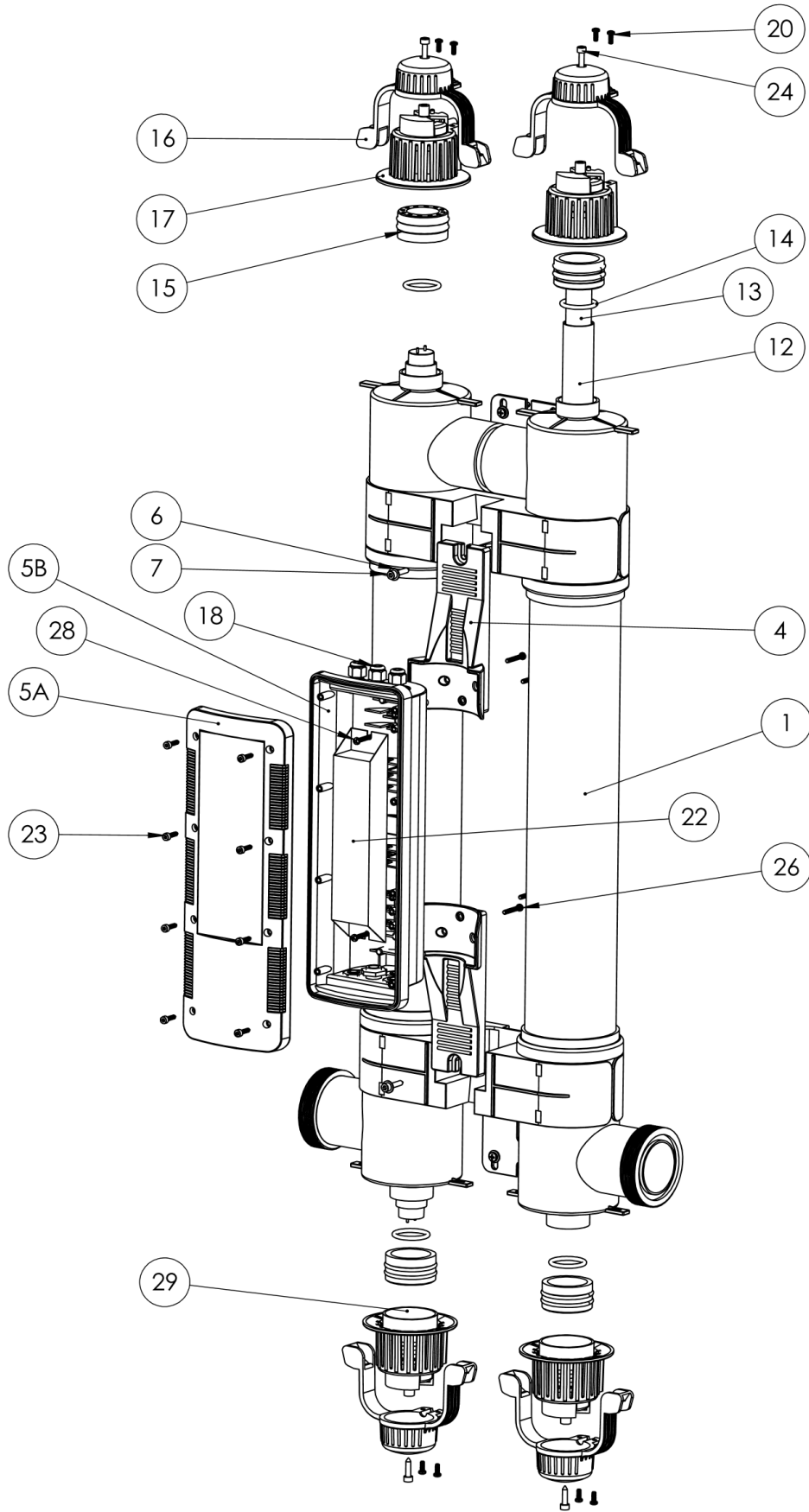


Item No.:	Description	Pcs/Unit HRP-55	Pcs/Unit HRP-110	Electro Part		GBP RRP (£)		EUR RRP (€)		USD RRP (\$)	
				Number	HRP-110	HRP-55	HRP-110	HRP-55	HRP-110	HRP-55	HRP-110
1	HRP-UVC Replacement Body Assembly (Complete with PTFE reflector and T-Piece)	1	1	SP-UV-B-HR-FS-55	SP-UV-B-HR-FS-110	199.50	367.50	229.43	422.63	279.30	514.50
2	Rear Mounting Bracket	2	-	Z-IM-UV-ST-RB	-	11.55	-	13.28	-	16.17	-
3	Front Mounting Bracket	2	-	Z-IM-UV-ST-FB	-	5.25	-	6.04	-	7.35	-
4	Enclosure Bracket	2	2	Z-IM-UV-ENC-B		10.50		12.08		14.70	
5A	HRP-UVC Front Cover with Pump	1	1	Z-IM-UV-FC		16.80		19.32		23.52	
5B	Rear Enclosure	1	1	Z-IM-UV-ENC-N		12.08		13.89		16.91	
6	M5 Flat Form C Washer A2	2	2	Z-FIX-M5FCW		5.51		6.34		7.71	
7	POD Fixing Screw	2	2	Z-FIX-M4.8X19STS-SC		5.51		6.34		7.72	
8	Flow Switch	1	1	SP-107-UV-B		40.69		46.79		56.96	
9	Blanking Cap O-Ring Seal	1	1	Z-ORS-SR-PC-S		1.31		1.51		1.84	
10	Temperature Sensor	1	1	SP-NTC-1000		32.29		37.13		45.20	
11	R' Clip	1	1	Z-MIS-R-CLIP		3.15		3.62		4.41	
12	Quartz Sleeve	1	2	SP-UV-QS		41.21		47.39		57.70	
13	UV Lamp	1	2	SP-UV-LAMP-EL		50.14		57.66		70.19	
14	Quartz Sleeve O-Ring Seal	2	4	SP-UV-ORS		1.26		1.45		1.76	
15	Quartz Sleeve Locking Nut	2	4	SP-UV-LNUT		7.51		8.63		10.51	
16	UV Lamp Holder Clip	2	4	Z-IM-UV-LH-CLIP		5.78		6.64		8.09	
17	UV Lamp Holder Hard Cap	2	4	Z-IM-UV-LH-CAP		7.88		9.06		11.03	
18	PG7 Entry Gland	3	3	Z-CON-PG7BK		7.35		8.45		10.29	
19	PG7 Entry Gland	4	4	Z-CON-PG7BK		7.35		8.45		10.29	
20	Lamp Lead Clamp Pozi Pan Screw	4	8	Z-FIX-M4X14		1.58		1.81		2.21	
21	Current Collector Hex Nut	2	2	Z-FIX-M5HEX		5.51		6.34		7.72	
22	Electronic ballast	1	1	SP-UV-BB-55	SP-UV-BB-110	115.50	157.50	132.83	181.13	161.70	220.50
23	Enclosure Fixing Screw	6	6	Z-FIX-M4X16-SC-ST		1.58		1.81		2.21	
24	Lamp Holder Clip Screw	2	4	Z-FIX-M4.8X19STS-SC		5.51		6.34		7.72	
25	HRP Maintenance Timer PCB	1	1	SP-UV-HRP-PCB		204.75		235.46		286.65	
26	Bracket Screw	6	6	Z-FIX-M4X14		1.58		1.81		2.21	
27	M3 x 8mm PCB Fixing	5	5	Z-FIX-M3X8-BLK		1.58		1.81		2.21	
28	Ballast Fixig Screw	2	2	Z-FIX-M4X14		1.58		1.81		2.21	
29	Lamp Lead Connection	2	4	SP-UV-LLL-S		18.38		21.13		25.73	
30	Large Union O-Ring Seal	2	2	Z-ORS-UNI-L		4.46		5.13		6.25	
31+32	Union Socket 2" / 63mm	2	2	SP-122		14.18		16.30		19.85	
	Union Nut										
33	Union Reducer 1½" / 50mm	2	2	SP-UV-R		4.73		5.43		6.62	
34	10mm / 44.5mm OD Stainless Steel Pipe	2	2	Z-TUB-SS44.5X10		8.93		10.26		12.50	
35	Current Colletor Grub Screw	2	2	Z-FIX-M4X4GS		1.58		1.81		2.21	
36	Current Collector Pin (316 S/S)	2	2	Z-UV-CC-PIN		15.23		17.51		21.32	
37	UV Current Collector Rubber Boot	2	2	Z-UV-CC-RB		4.73		5.43		6.62	
38	UV Current Collector 'O' Ring	2	2	Z-ORS-UV-CC		2.63		3.02		3.68	
39	UV Blanking Plug	2	2	Z-IM-UV-BP		3.68		4.23		5.15	
40	Suction Tubing	1	1	Z-DP-PVCH		7.88		9.06		11.03	
41	Foot Valve Strainer Assembly	1	1	Z-DP-FS		44.10		50.72		61.74	
42	Rubber Lip Valve and Top Hat Bush	1	1	SP-UV-DP-RDV		8.40		9.66		11.76	
43	Dosing Port Assembly	1	1	SP-UV-DP-PA		7.88		9.06		11.03	
44	Dosing Pump Front Cover Screw	1	1	Z-DP-CF-TEC		11.03		12.68		15.44	
45	Dosing Tube Assembly	1	1	SP-DP-ST-TEC		23.10		26.57		32.34	
46	Dosing Pump Roller Assembly	1	1	SP-DP-PR-TEC		31.50		36.23		44.10	
47	Dosing Pump Motor	1	1	SP-DP-M-TEC		60.90		70.04		85.26	
48	Dosing Pump Motor Screw	2	2	Z-FIX-M3X8-BLK		1.58		1.81		2.21	
49	Dosing Pump Motor Washer	2	2	Z-FIX-M3LW		1.58		1.81		2.21	
50	Dosing Pump Front Cover	1	1	Z-DP-FCC-TEC		13.13		15.09		18.38	

HR UV-C STANDARD - 55W



HR UV-C STANDARD - 110W



Item No.:	Description	Pcs/Unit HR-55	Pcs/Unit HR-110	Elecro Part No HR-55	Elecro Part No HR-110	GBP RRP (£)		EUR RRP (€)		USD RRP (\$)	
						HR-55	HR-110	HR-55	HRP-110	HR-55	HR-110
1	HR-UVC Replacement Body Assembly (Complete with PTFE reflector and T-Piece)	1	1	SP-UV-B-HR-FS-55	SP-UV-B-HR-FS-110	199.50	367.50	229.43	422.63	279.30	514.50
2	Rear Mounting Bracket	2	-	Z-IM-UV-ST-RB	-	7.35	-	8.45	-	10.29	-
3	Front Mounting Bracket	2	-	Z-IM-UV-ST-FB	-	3.15	-	3.62	-	4.41	-
4	Enclosure Bracket	2	2	Z-IM-UV-ENC-B		10.50		12.08		14.70	
5A	Analogue HR Front Cover	1	1	Z-IM-UV-FC		11.55		13.28		16.17	
5B	Rear Enclosure	1	1	Z-IM-UV-ENC-N		17.85		20.53		24.99	
6	M5 Flat Form C Washer A2	2	2	Z-FIX-M5FCW		5.51		6.34		7.72	
7	POD Fixing Screw	2	2	Z-FIX-M4.8X19STS-SC		5.51		6.34		7.72	
12	Quartz Sleeve	1	2	SP-UV-QS		41.21		47.39		57.70	
13	UV Lamp	1	2	SP-UV-LAMP-EL		50.14		57.66		70.19	
14	Quartz Sleeve O-Ring Seal	2	4	SP-UV-ORS		1.26		1.45		1.76	
15	Quartz Sleeve Locking Nut	2	4	SP-UV-LNUT		7.51		8.63		10.51	
16	UV Lamp Holder Clip	2	4	Z-IM-UV-LH-CLIP		5.78		6.64		8.09	
17	UV Lamp Holder Hard Cap	2	4	Z-IM-UV-LH-CAP		7.88		9.06		11.03	
18	PG7 Entry Gland	6	6	Z-CON-PG7BK		7.35		8.45		10.29	
19	PG7 Entry Gland	1	1	Z-CON-PG7BK		7.35		8.45		10.29	
20	Lamp Lead Clamp Pozi Pan Screw	4	8	Z-FIX-M4X14		1.58		1.81		2.21	
22	Electronic ballast	1	1	SP-UV-BB-55	SP-UV-BB-110	115.50	157.50	132.83	181.13	161.70	220.50
23	Enclosure Fixing Screw	6	6	Z-FIX-M4X16-SC-ST		1.58		1.81		2.21	
24	Lamp Holder Clip Screw	2	4	Z-FIX-M4.8X19STS-SC		5.51		6.34		7.72	
26	Bracket Screw	6	6	Z-FIX-M4X14		1.58		1.81		2.21	
28	Ballast Fixing Screw	2	2	Z-FIX-M4X14		1.58		1.81		2.21	
29	Lamp Lead Connection	2	4	SP-UV-LLL-S		18.38		21.13		25.73	



ELECR0
ENGINEERING

Improving pools *globally*

11 Gunnels Wood Park, Gunnels Wood Road,
Stevenage, Hertfordshire, SG1 2BH, UK

Tel: +44 1438 749 474

Email: sales@elecra.co.uk

Web: www.elecra.co.uk

We reserve the right to change all or part of the features of the articles
or contents of this document, without prior notice.

SPL61-EN H.R.UV-C Spare Parts List V4-26.10.2021-Elecra