

INSTALLATION INSTRUCTIONS

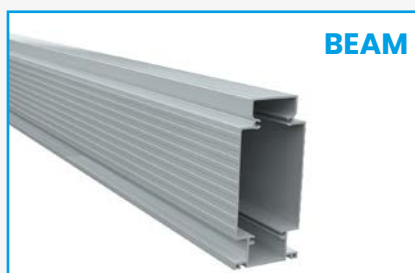
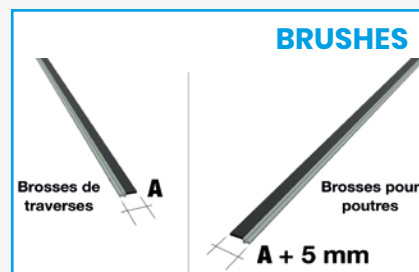
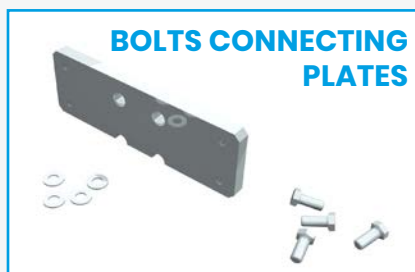
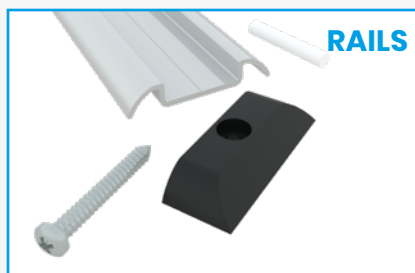
TERRABSO

Atlas 42.52.62

You are going to assemble a mobile terrace with the ATLAS solution from TERRABSO. We have made sure that the assembly of the structure is as simple as possible, the time required is no more than 4 hours with an average of two people.

Enjoy it!

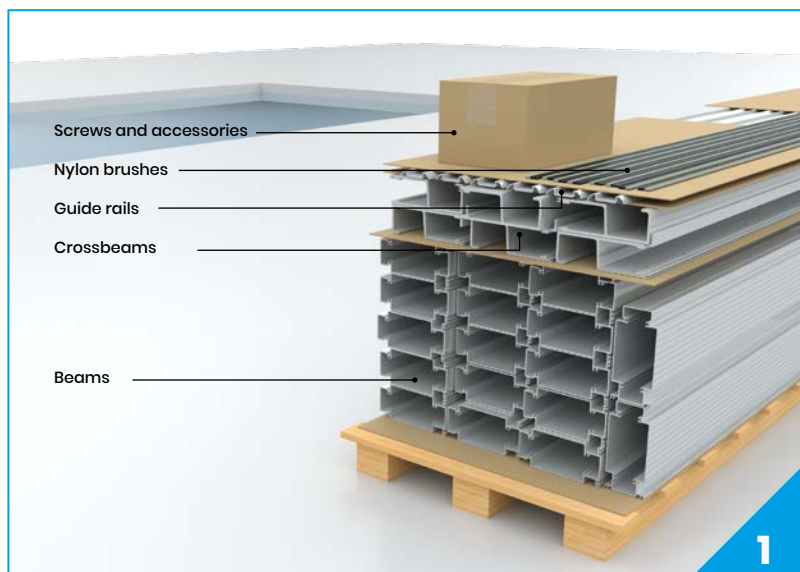
CONTENT OF THE ATLAS KIT



RECOMMENDED TOOLS

- **Chalk line**
- **Hacksaw** (rail cutting)
- **Concrete drill and drill bit diameter 6** (rails), **8** (stops) **and 16 mm** (for floor anchors)
- **Screwdriver with PH2 and T30 bits** (for screwing in rails and beams)
- **Cutting pliers** (to cut the brushes to the right size)
- **Allen key n°4** (for screwing wheel axles to Crossbeams)
- **Flat or eye spanner 13** (for connecting plate)
- **A pair of trestles**
- **A cartridge gun for chemical sealing** (ground bolt of the lock)

STEP 1 : RECEIVING THE PALLET



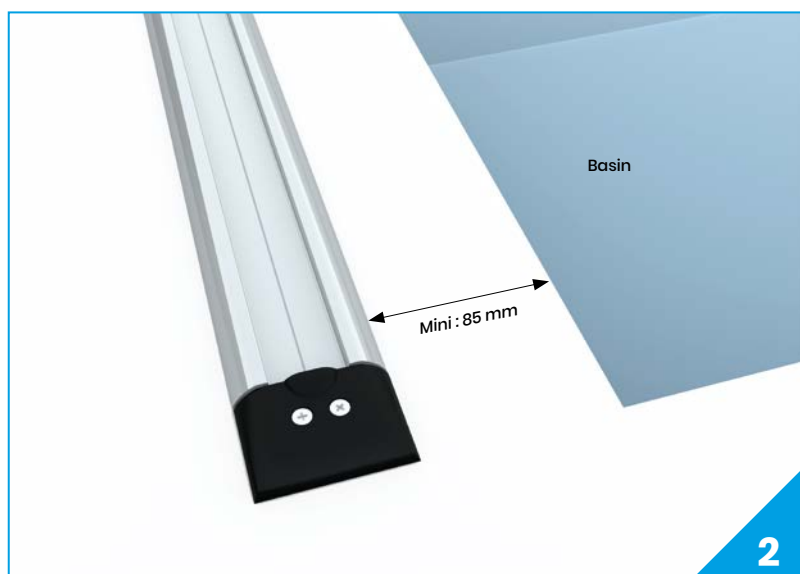
Position your palletised kit as close as possible to your assembly area.

ITS CONTENT

From top to bottom, you will find :

- the assembly instructions, the compliance plate, the screws, the nylon brushes and the various parts needed
- the guide rails
- the crosspieces
- the beams

STEP 2: POSITION THE GUIDE RAILS



The guide rails are located on the top of your package.

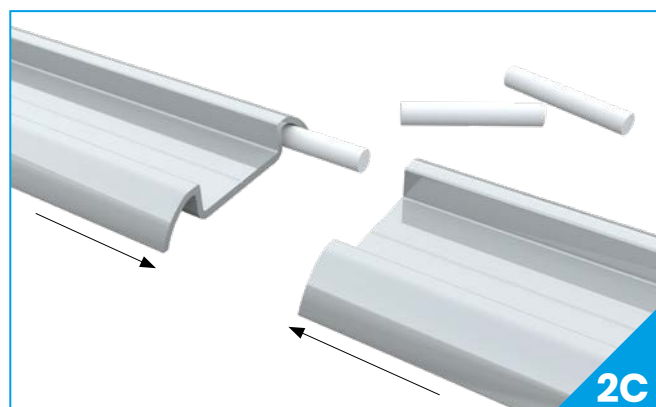
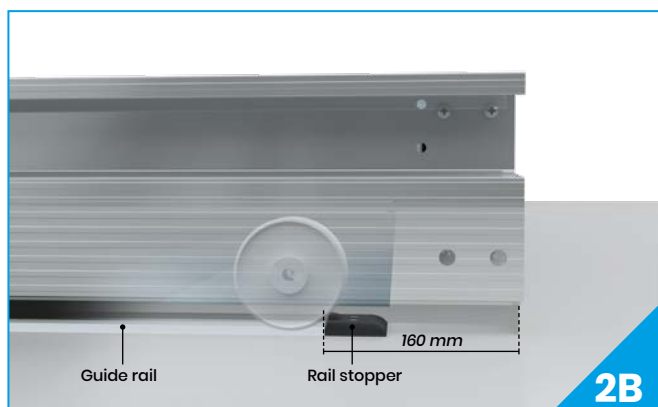
On the chosen side of the pool, place the guide rail at least 85 mm from the edge of your pool or its borders.

Using a chalk line, define its position and alignment. Position the start of your guide rail (2B). Fix the profiles with 4.8 x 32 mm screws and the 6 mm plugs supplied.

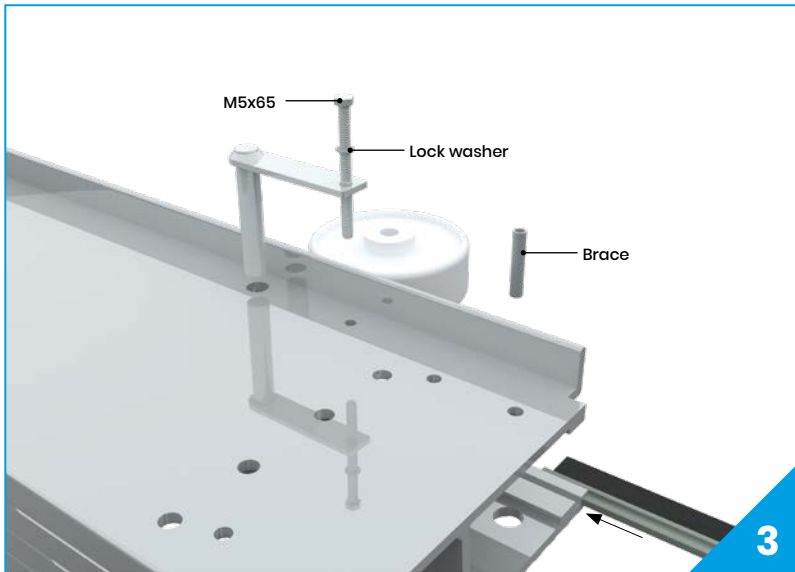


Remember to place an alignment pin between 2 abutting rails (2C). Install end stops at each end.

Info: If you have to install a second rail on the opposite side, keep a distance between them equal to the length of a beam +7 mm. The two rails must be strictly parallel.



STEP 3 : FIT THE CROSSBEAMS

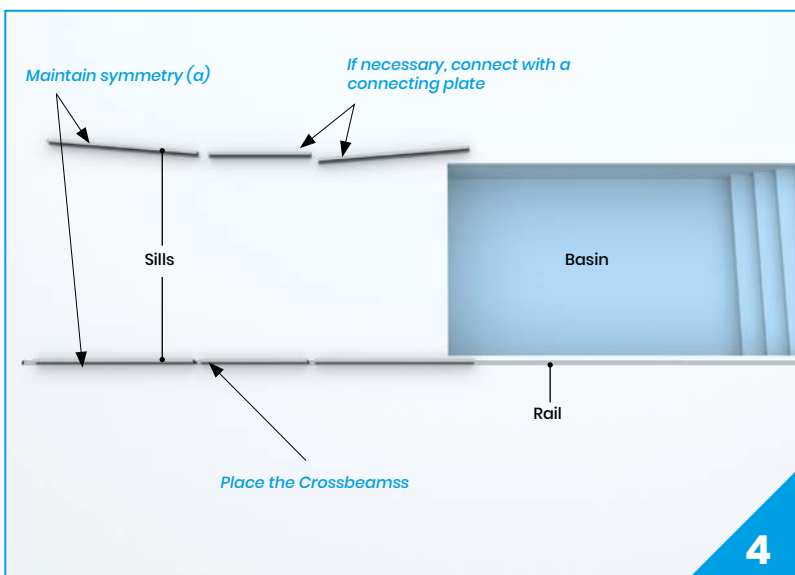


Using a pair of trestles, fit the Crossbeams with the wheels, nylon brushes and connecting plates (3).

The brushes for the crosspieces are the lowest, and the highest are for the beams (consider 5B).

Info : If you have to install a second rail on the opposite side, keep a distance between them equal to the length of a beam +7 mm. The two rails must be parallel to each other.

STEP 4 : ASSEMBLE THE CROSSBEAMS

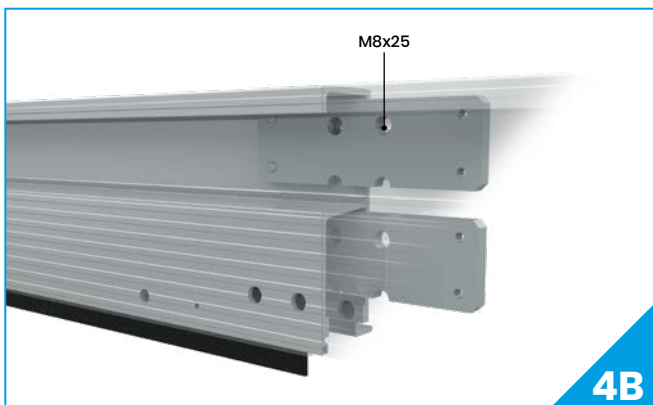


Place the equipped Crossbeams on the sills of your pool, symmetrically.

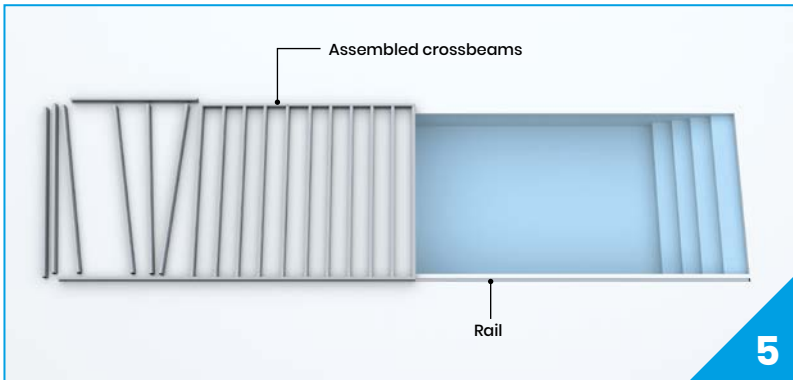
If necessary, cut the crosspieces according to the attached plan (4B).

(a) : Arrange the Crossbeams so that they are of equal size, facing each other.

Info: Position the rail side result in the rail as the structure will be more difficult to handle when assembled.



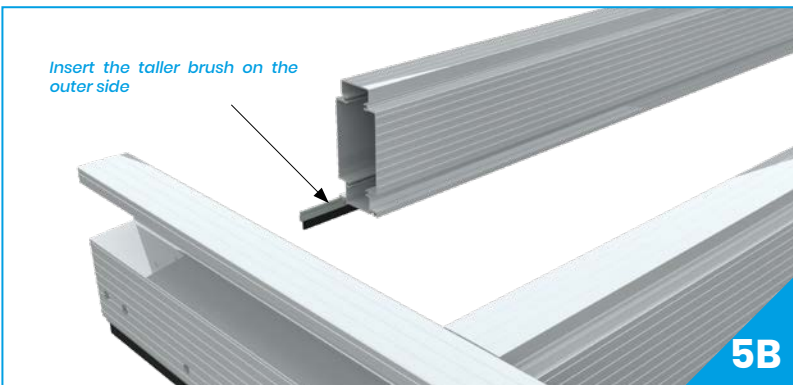
STEP 5 : ASSEMBLE CROSSBEAMS AND BEAMS



Place the equipped Crossbeams on the pool sills symmetrically.



At the desired angle, insert the bracket for the lock, before fixing the corresponding beam (5C).



In the assembled Crossbeams that is positioned in the rail, assemble the beams using 4 x 6.3 x 70 mm (5D) screws. Repeat with the other assembled Crossbeams.

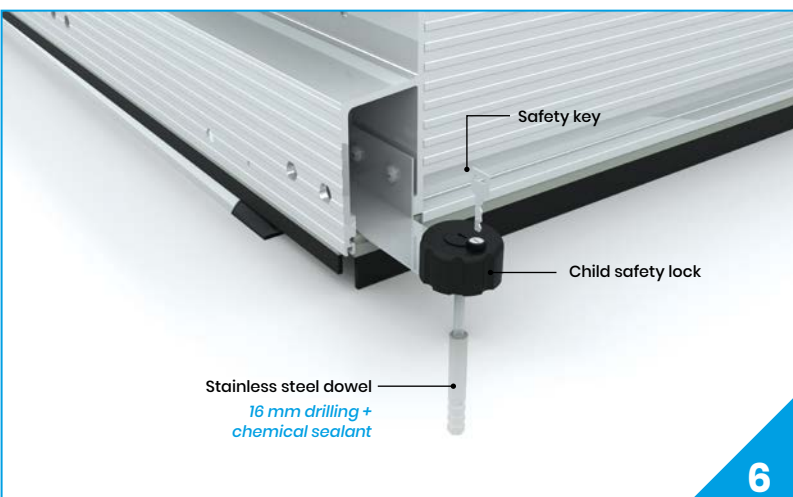
Once the frame is formed, tighten all screws firmly.



When 2 crossbeams are abutted, the beam must be positioned on the axis (5D).



STEP 6



The assembling of the structure of your mobile terrace is finished.

Position the result in the desired location on the pond. Drill the deck and seal the stainless steel pin. Lock the deck with the safety knob. Attach the compliance plate to the final cladding.



SPECIFICATIONS

To ensure that your TERRABSO mobile pool decking structure functions optimally, it is important to observe the following points :

- The ground on which the structure will roll must be perfectly flat and free of relief over the entire length of the structure.
- The curbstones and/or other parts, if any, must not exceed the height of the bearing strips by more than:
 - 25 mm for a maximum span of 6.20 m,
 - 00 mm for a span of between 6.21 m and 8.20 m.
- The bearing strips must be made of a material allowing a point load of at least 300 kg/m², possibly covered with a glued coating.
- The floor must be constructed according to the guidelines of NF DTU 51.4 - Building works - External wooden decking and in particular its Annex C.

PRACTICAL INFORMATION

- Some aluminium profiles weigh more than 20 kgs, we recommend that you use two people to handle them.
- The height of the structure may vary according to the diameter of the wheels :
 - 227.5 mm for a maximum span of 6.20 m (guard)
 - 240 mm for a span of between 6.21 m and 8.20 m (ground clearance = 50 mm).
- The 2004 law on the safety of private in-ground pools establishes a particular responsibility of the owner. Provided that the floor cannot be dismantled and does not leave any available space of more than 10 cm, the TERRABSO structure can be used to create a mobile terrace that complies with the requirements of standard NF P 90-308.

LIMIT VALUES

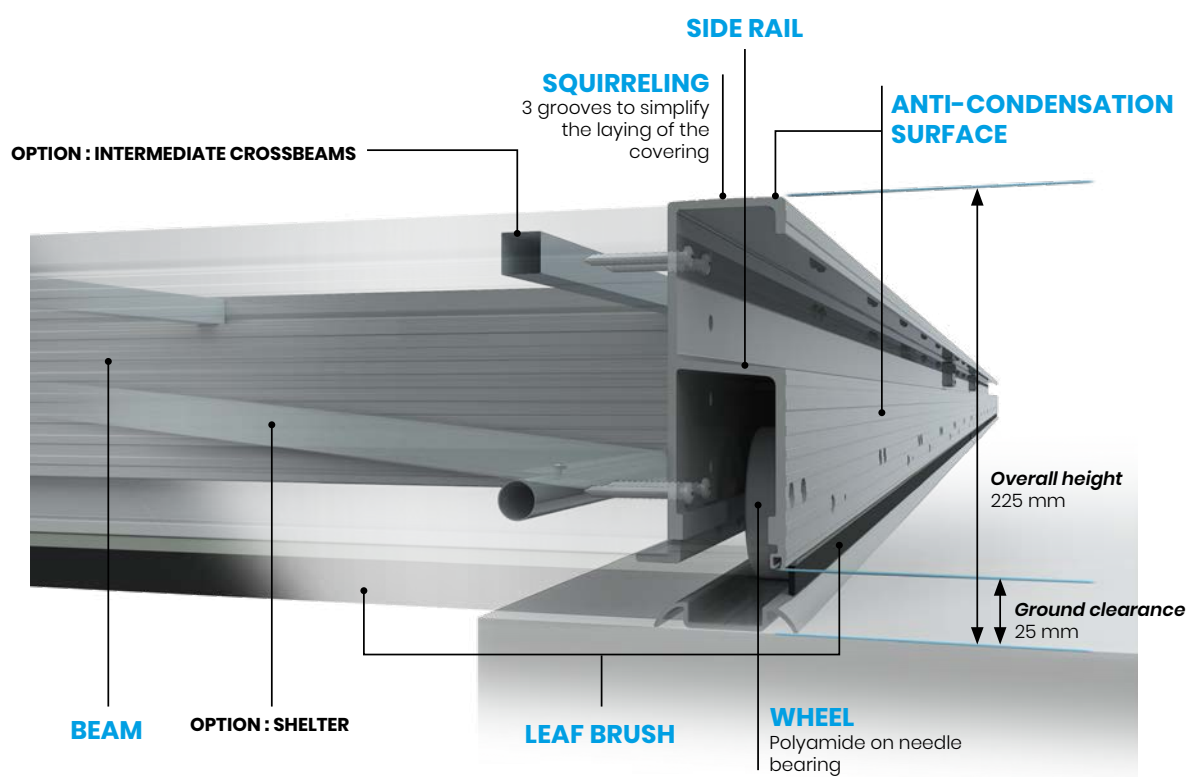
The weight of the structure varies according to the dimensions, and is estimated at 25 kg/m² on average.

The structure is designed to support the following loads:

- Floor up to 30 kg/m² max.
- Payload up to 200 kg/m² permanent and up to 300 kg/m² punctual.

The maximum span is 8.20 m for all tiles, 5.20 m for Ceramic tiles.

LEXICLE



ROLLING STRIPS : The areas on either side of the pool on which the rail(s) of the deck will be placed.

FLOORING : The covering used to cover the structure to allow its use.

SPAN : The distance between the bearing strips.

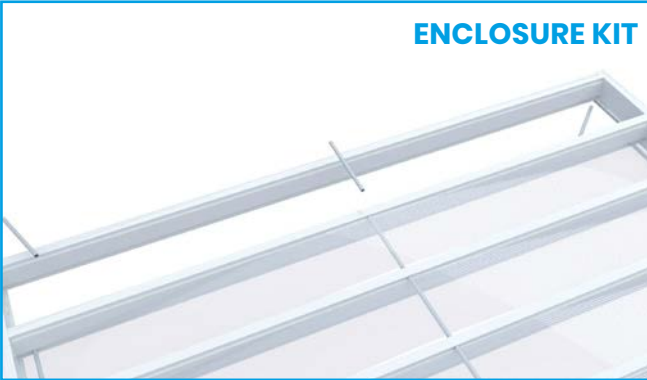
BEAM : Aluminium profile that spans the pool. The beam is connected to the Crossbeams.

STRUCTURE : The aluminium frame - with or without accessories - that is ready to receive the decking, and which, resulting in a movable deck.

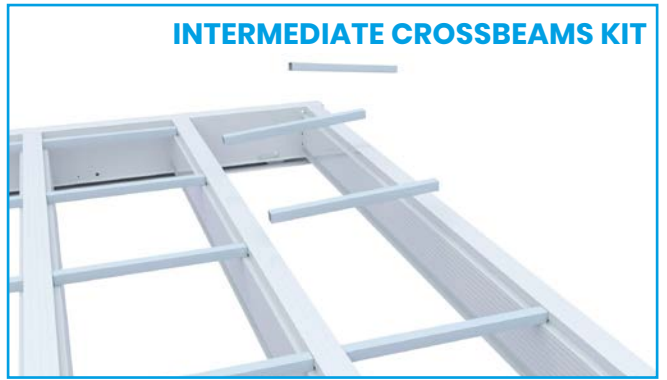
BRIDGE : Aluminium profile that receives the wheels to allow the terrace to be moved.

OPTIONAL

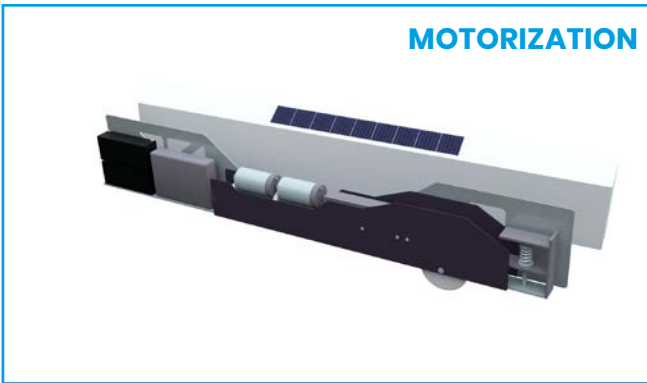
ENCLOSURE KIT



INTERMEDIATE CROSSBEAMS KIT



MOTORIZATION



CENTRAL OPENING



Complies with the
EuroCode standard



Complies with
NF 90-308



Complies with
NF DTU 51.4

TERRABSO

MOBILE TERRACE SOLUTIONS
FOR POOL AND SPA

40 Bis avenue de la Marne, 47520 LE PASSAGE
Tél : 05 53 65 28 69 - e-mail : info@terrabsos.com
www.terrabsos.com